

VRF Flow Selector Unit

Sizes: 038, 061 and 096

TOSHIBA
Carrier

Submittal Data

Job Name: _____ Location: _____



VRF Flow Selector Unit Features

- Can be installed 49 ft. (15m) away from indoor unit.
- Flow selector box wired from indoor unit
- 16.4 ft. (5m) control and power wire harness supplied with box
- RBC-CBK15FUL accessory is required to extend the distance from indoor unit up to 49 ft. (15m).
- Multiple indoor units can be connected to one box

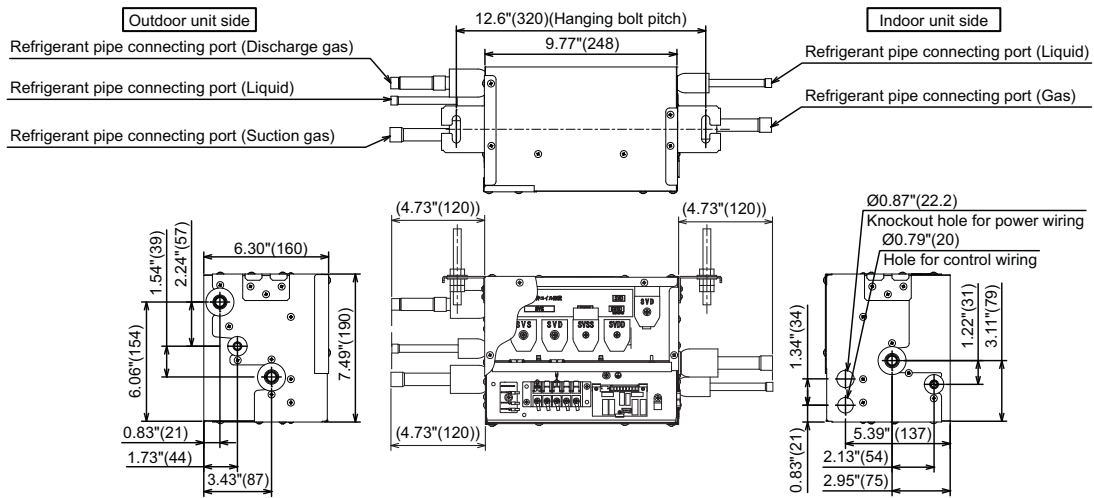
| Model Name | | RBM-Y0383FUL | RBM-Y0613FUL | RBM-Y0963FUL |
|---|-------------------------|---------------------------------|----------------|------------------|
| Power supply | | 230 V (208/230 V) 1 phase 60 Hz | | |
| Connectable indoor unit capacity (kBtu/h) | | Below 38 | 38 to below 61 | 61 10 96 or less |
| Connectable indoor units | | 5 | 8 | 8 |
| Dimension | Height (in) | 7.49 | 7.49 | 7.88 |
| | Width (in) | 9.77 | 9.77 | 15.8 |
| | Depth (in) | 6.3 | 6.3 | 7.88 |
| Total weights (lbs) | | 11 | 13 | 20 |
| Connecting port dia. (Indoor unit side) | Liquid side (in) | 3/8" | 3/8" | 1/2" |
| | Gas side (in) | 5/8" | 5/8" | 7/8" |
| Connecting port dia. (Outdoor unit side) | Liquid side (in) | 3/8" | 3/8" | 1/2" |
| | Discharge gas side (in) | 1/2" | 1/2" | 3/4" |
| | Suction gas side (in) | 5/8" | 5/8" | 7/8" |
| Connection | | Braze connection | | |

DIMENSIONAL DRAWING - FLOW SELECTOR UNIT

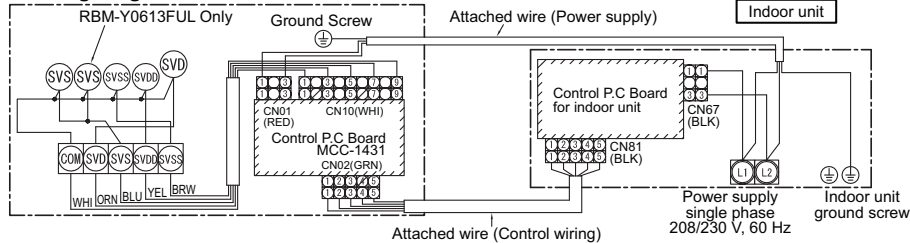
External view

RBM-Y0383FUL, RBM-Y0613FUL

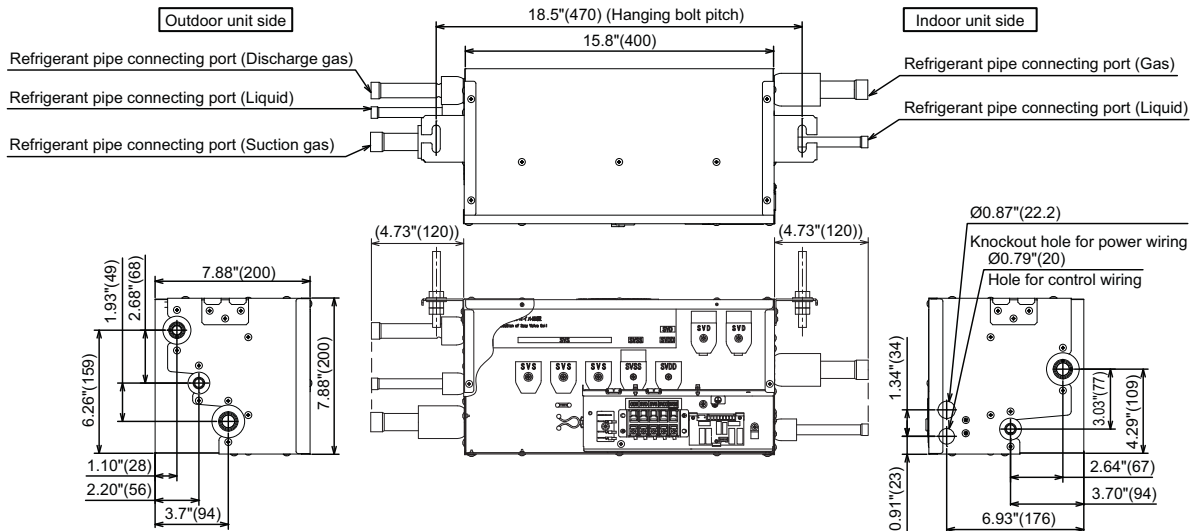
(Unit: in (mm))



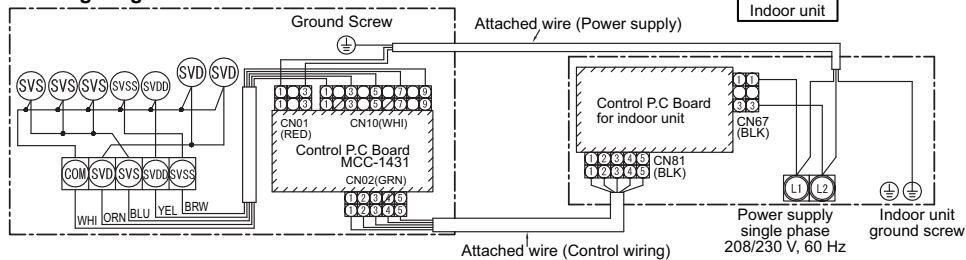
Wiring Diagram



RBM-Y0963FUL

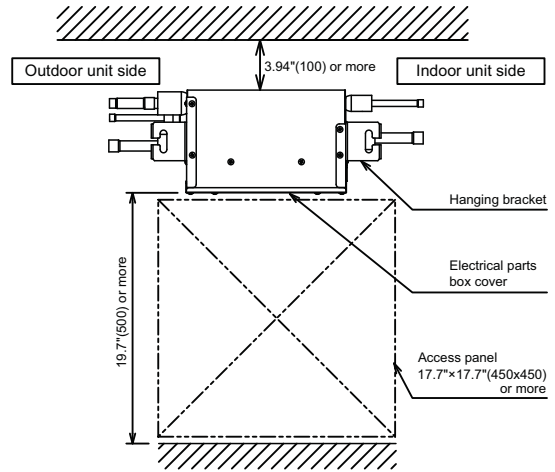
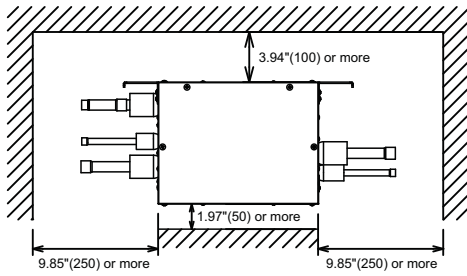


Wiring Diagram

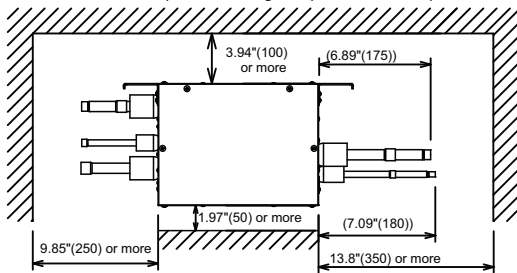


DIMENSIONAL DRAWING - FLOW SELECTOR UNIT (CONT) CLEARANCES

<RBM-Y0383FUL / Y0613FUL>



<RBM-Y0383FUL (When tubing adapters are used)>



<RBM-Y0963FUL>

