

SMMSi / SHRMi VRF Indoor Unit MMD-AP0154SPH2UL - Slim Duct

TOSHIBA
Carrier

Submittal Data

Job Data _____ Location _____
 Buyer _____ Buyer PO # _____ Carrier # _____
 Unit Number _____ Model Number _____
 Performance Data Certified By _____ Date _____



SMMSi / SHRMi VRF Slim Duct Features

- R-410A Refrigerant
- Five sizes from 7,500 to 18,000 Btu/h
- Quiet operation, as low as 28 dBA
- Rear return or bottom return
- Optional wired or wireless controls
- Auto or manually set three fan speeds
- Five-year parts limited warranty

Indoor Unit Model	MMD-AP0154SPH2UL	
PERFORMANCE		
Cooling Rated Capacity	Btu/h	15,400
Heating Rated Capacity	Btu/h	17,000
Fan Type (Qty)		Centrifugal (2)
Airflow (L / M / H)	CFM	306 / 353 / 406
Maximum External Static Pressure*	in. wg	0.08 / 0.14 / 0.2
Sound Pressure, Rear Return (L / M / H)	dBA	30 / 33.5 / 34.5
Sound Pressure, Bottom Return (L / M / H)	dBA	35 / 38.5 / 41
ELECTRICAL		
Power Supply	V/Ph/Hz	208-230/1/60
Power Consumption (Input)	kW	0.061
Full Load Amps (FLA)	A	0.70
Minimum Circuit Amps	A	0.88
Maximum Overcurrent Protection	A	15
Motor Type	DC Inverter Driven	
Motor Watts		60

PHYSICAL DATA

Pipe Connection Size - Liquid (High Pressure)	in.	1/4 (Flare)
Pipe Connection Size - Gas (Low Pressure)	in.	1/2 (Flare)
Pipe Connection Size - Drain (OD)	in.	1-1/4
Pipe Connection Size - Drain (ID)	in.	1
Refrigerant	R-410A	
External Finish	Zinc Hot Dipped Steel Plate	
Unit Width	in.	33-5/16
Unit Height	in.	8-5/16
Unit Depth	in.	25-3/8
Unit Net Weight	lb	51

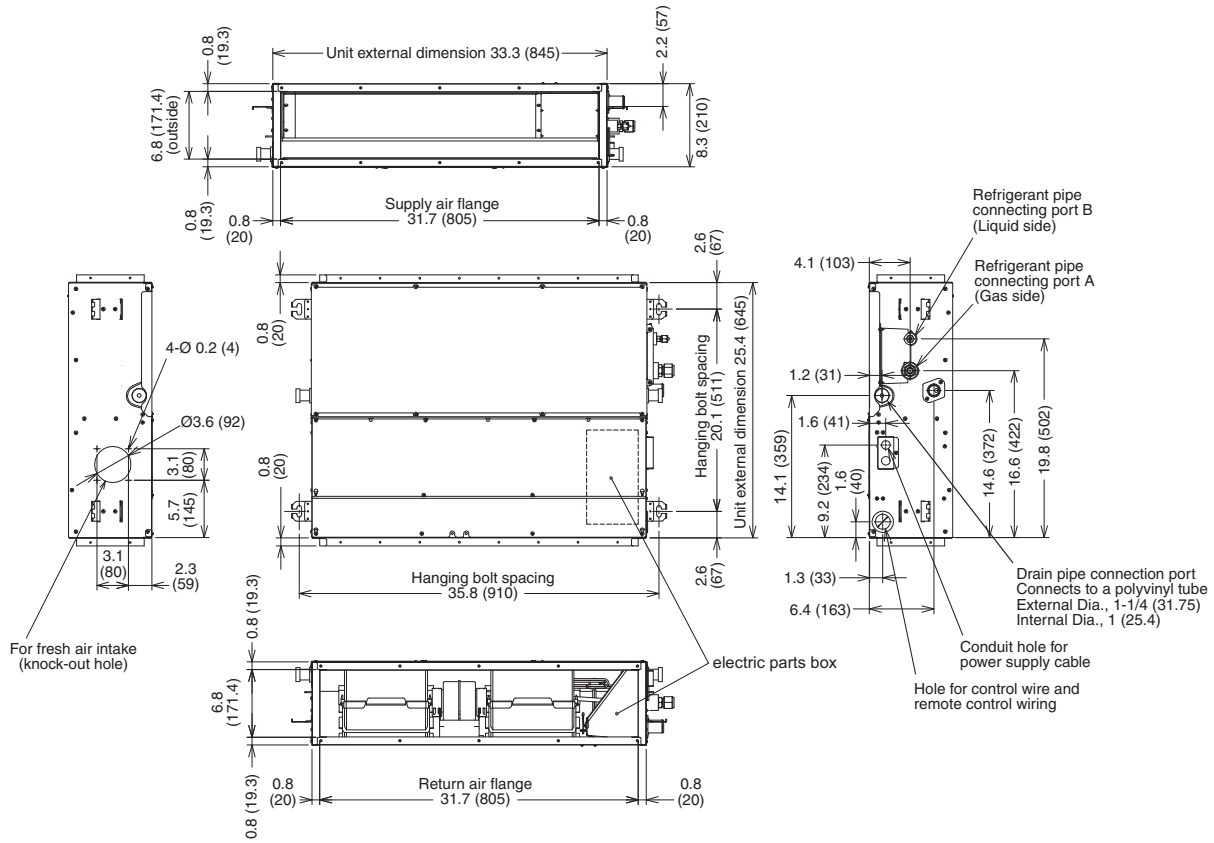
* 0.08 is the default factory setting. 0.14 and 0.2 are available as field selectable options.

ACCESSORIES (Optional)

- Lite Vision Plus Remote Controller (7-Day Programmable) RBC-AMS51E-ES
- Simple Wired Remote Control RBC-AS41UL
- Stand-Alone Receiver with Wireless Remote TCB-AX32UL
- Remote Sensor TCB-TC41LUL
- Wired Remote Controller RBC-AMT32UL
- Auxiliary Fresh Air Flange TCB-FF101URUL

Manufacturer reserves the right to discontinue, or change at any time, specifications or designs without notice and without incurring obligations.

DIMENSIONAL DRAWING INDOOR UNIT SLIM DUCT MMD-AP0154SPH2UL

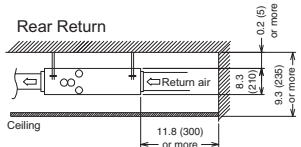
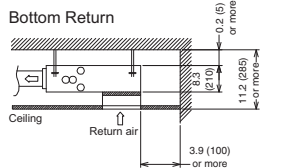
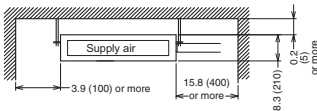


Clearance required for installation or service work

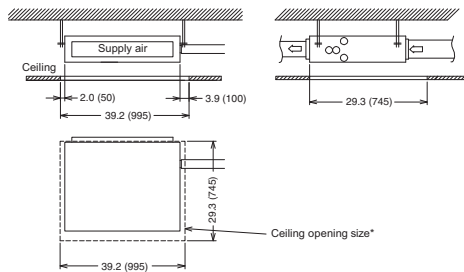
NOTES:

1. Filter is field supplied per local codes.
2. Provide sufficient access for filter removal and replacement.
3. The drain connection is ABS. If the drain piping is PVC, the correct glue must be used.
4. Dimensions are in inches (mm).

Model MMD-	A	B
AP0154SPH2UL	Ø1/2 (12.7)	Ø1/4 (6.4)



Service Access



*Required if installation is not above a suspended ceiling.

