

# SMMSi / SHRMi VRF Indoor Unit MMD-AP0154BH2UL - Concealed Duct

**TOSHIBA**  
*Carrier*

## Submittal Data

Job Data \_\_\_\_\_ Location \_\_\_\_\_  
 Buyer \_\_\_\_\_ Buyer PO # \_\_\_\_\_ Carrier # \_\_\_\_\_  
 Unit Number \_\_\_\_\_ Model Number \_\_\_\_\_  
 Performance Data Certified By \_\_\_\_\_ Date \_\_\_\_\_



### SMMSi / SHRMi VRF Concealed Duct Features

- R-410A Refrigerant
- Eleven sizes from 7,500 to 48,000 Btu/h
- Standard condensate pump with 10.7 in. lift capability
- Quiet operation, as low as 27.5 dBA
- Rear return configurable for bottom return
- Optional wired or wireless controls
- Auto or manually set three fan speeds
- One-inch track for field-supplied filters
- Five-year parts limited warranty

Indoor Unit Model	MMD-AP0154BH2UL	
<b>PERFORMANCE</b>		
Cooling Rated Capacity	Btu/h	15,400
Heating Rated Capacity	Btu/h	17,000
Fan Type (Qty)		Centrifugal (1)
Airflow ( L / M / H)	CFM	382 / 556 / 635
Maximum External Static Pressure	in. wg	0.48
Sound Pressure (L / M / H)	dBA	29 / 35.5 / 37.5
<b>ELECTRICAL</b>		
Power Supply	V/Ph/Hz	208-230/1/60
Power Consumption (Input)	kW	0.091
Full Load Amps (FLA)	A	0.9
Minimum Circuit Amps	A	1.2
Maximum Overcurrent Protection	A	15
Motor Type	DC Inverter Driven	
Motor Watts		150

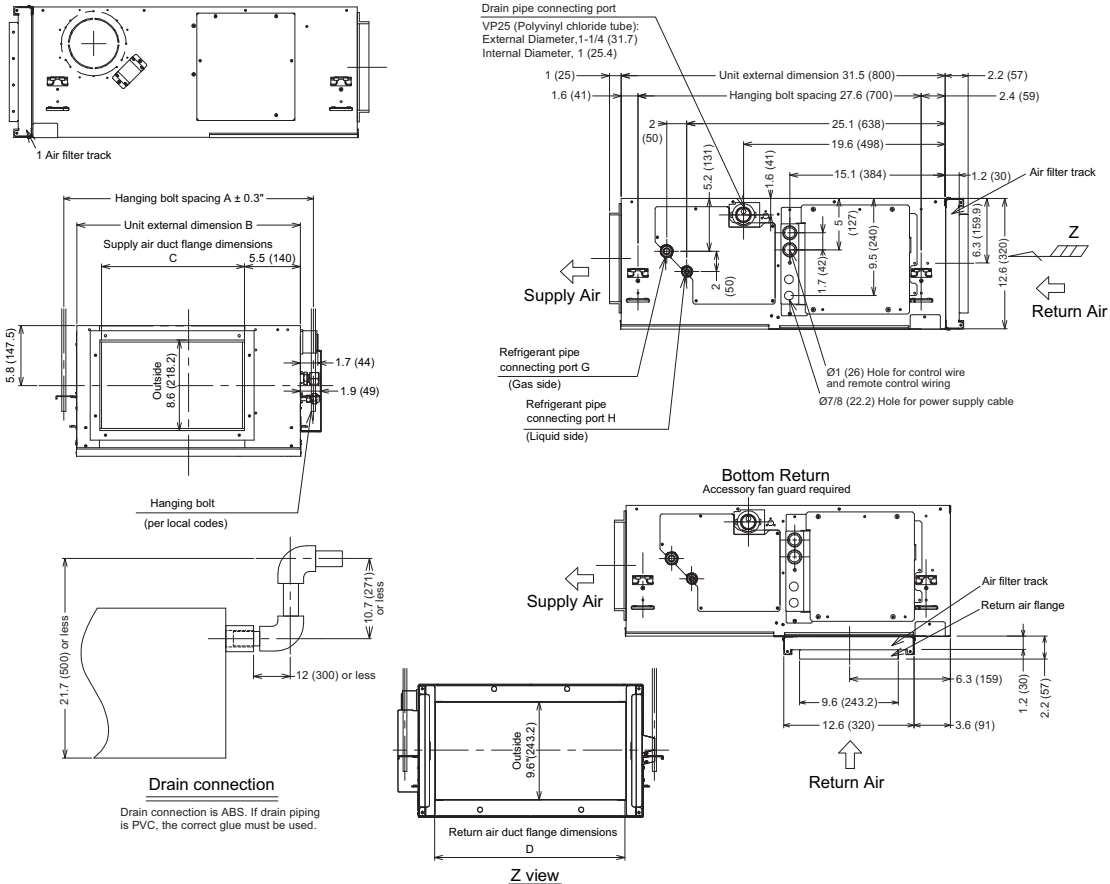
<b>PHYSICAL DATA</b>		
Pipe Connection Size - Liquid (High Pressure)	in.	1/4 (Flare)
Pipe Connection Size - Gas (Low Pressure)	in.	1/2 (Flare)
Pipe Connection Size - Drain (OD)	in.	1-1/4
Pipe Connection Size - Drain (ID)	in.	1
Refrigerant	R-410A	
External Finish	Zinc Hot Dipped Steel Plate	
Unit Width	in.	39-3/8
Unit Height	in.	12-9/16
Unit Depth	in.	31-1/2
Unit Net Weight	lb	93

### ACCESSORIES (Optional)

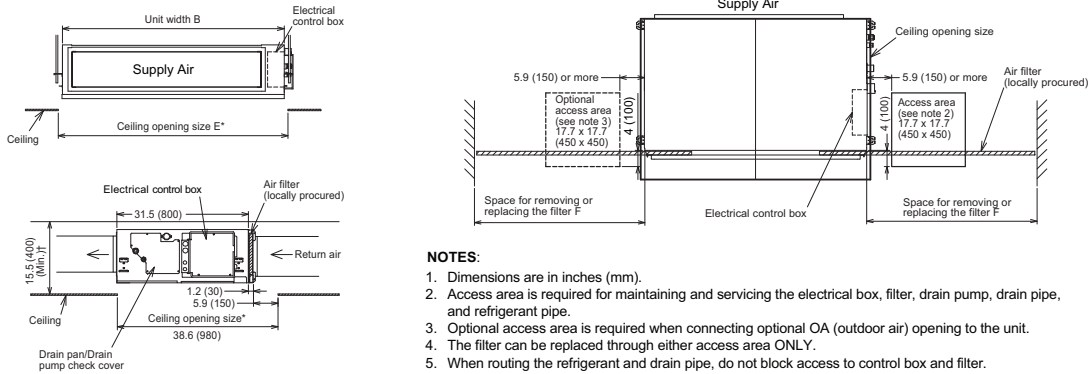
- Lite Vision Plus Remote Controller (7-Day Programmable) RBC-AMS51E-ES
- Simple Wired Remote Control RBC-AS41UL
- Stand-Alone Receiver with Wireless Remote TCB-AX32UL
- Remote Sensor TCB-TC41LUL
- Wired Remote Controller RBC-AMT32UL
- Fan Guard Required with Bottom Return Applications TCB-IG071BUL

Manufacturer reserves the right to discontinue, or change at any time, specifications or designs without notice and without incurring obligations.

# DIMENSIONAL DRAWING INDOOR UNIT CONCEALED DUCT MMD-AP0154BH2UL



### Space required for installation Clearance required for maintenance and service



Model	A	B	C	D	E	F	G	H
MMD-AP0154BH2UL	42 (1066)	39.4 (1000)	31.6 (801.6)	36.3 (801.6)	41.3 (1050)	23.6 (550)	0.50 (12.7)	0.25 (6.4)

