

SMMSi / SHRMi VRF Indoor Unit MMD-AP0124BH2UL - Concealed Duct

TOSHIBA
Carrier

Submittal Data

Job Data _____ Location _____
 Buyer _____ Buyer PO # _____ Carrier # _____
 Unit Number _____ Model Number _____
 Performance Data Certified By _____ Date _____



SMMSi / SHRMi VRF Concealed Duct Features

- R-410A Refrigerant
- Eleven sizes from 7,500 to 48,000 Btu/h
- Standard condensate pump with 10.7 in. lift capability
- Quiet operation, as low as 27.5 dBA
- Rear return configurable for bottom return
- Optional wired or wireless controls
- Auto or manually set three fan speeds
- One-inch track for field-supplied filters
- Five-year parts limited warranty

Indoor Unit Model	MMD-AP0124BH2UL	
PERFORMANCE		
Cooling Rated Capacity	Btu/h	12,000
Heating Rated Capacity	Btu/h	13,500
Fan Type (Qty)		Centrifugal (1)
Airflow (L / M / H)	CFM	224 / 335 / 371
Maximum External Static Pressure	in. wg	0.48
Sound Pressure (L / M / H)	dBA	31 / 32 / 34.5
ELECTRICAL		
Power Supply	V/Ph/Hz	208-230/1/60
Power Consumption (Input)	kW	0.049
Full Load Amps (FLA)	A	0.8
Minimum Circuit Amps	A	1.0
Maximum Overcurrent Protection	A	15
Motor Type	DC Inverter Driven	
Motor Watts		150

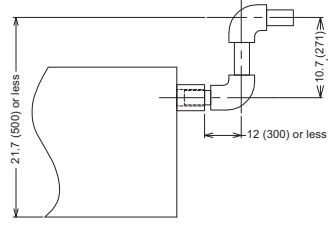
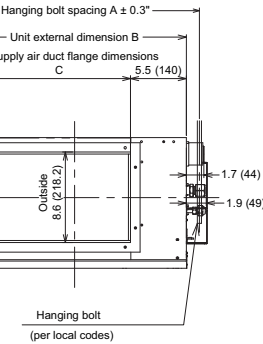
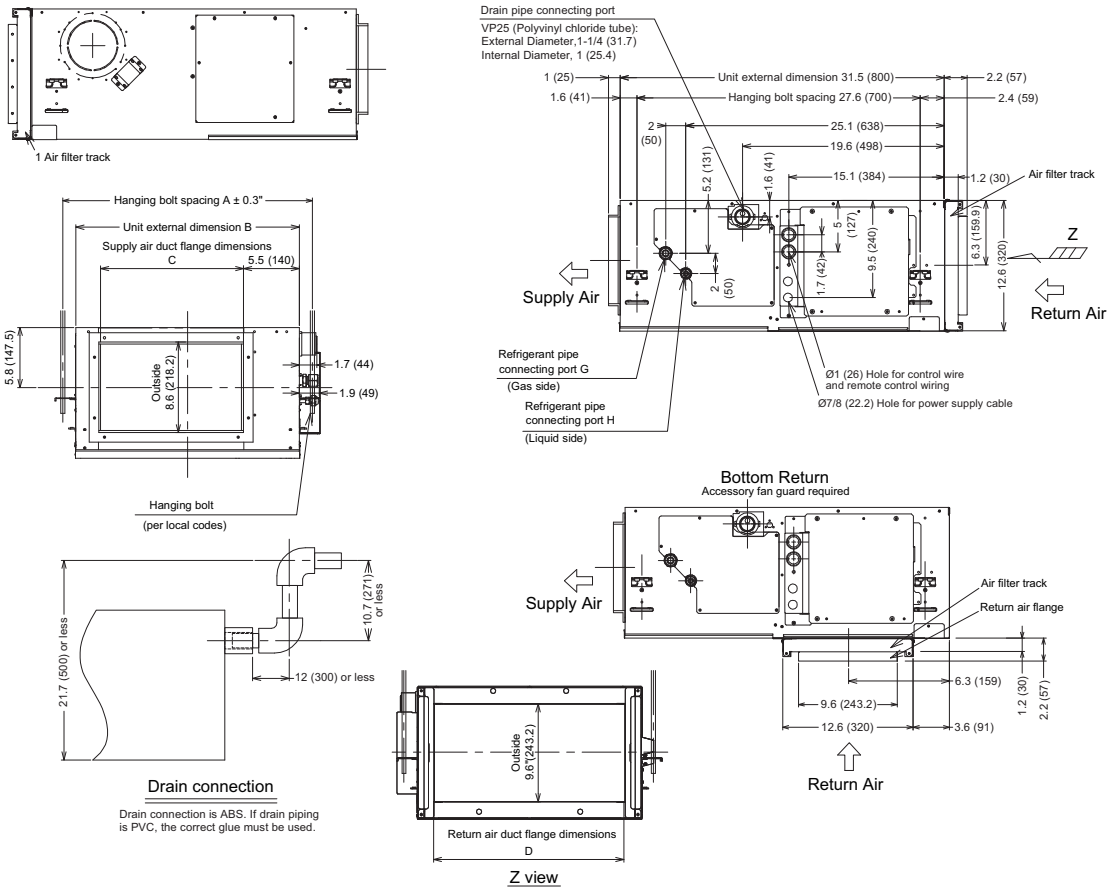
PHYSICAL DATA		
Pipe Connection Size - Liquid (High Pressure)	in.	1/4 (Flare)
Pipe Connection Size - Gas (Low Pressure)	in.	3/8 (Flare)
Pipe Connection Size - Drain (OD)	in.	1-1/4
Pipe Connection Size - Drain (ID)	in.	1
Refrigerant	R-410A	
External Finish	Zinc Hot Dipped Steel Plate	
Unit Width	in.	21-11/16
Unit Height	in.	12-9/16
Unit Depth	in.	31-1/2
Unit Net Weight	lb	64

ACCESSORIES (Optional)

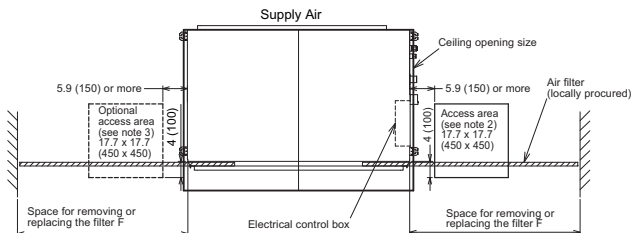
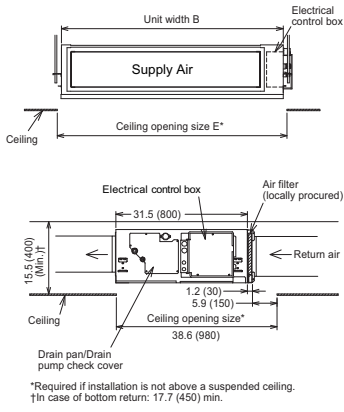
- Lite Vision Plus Remote Controller (7-Day Programmable) RBC-AMS51E-ES
- Simple Wired Remote Control RBC-AS41UL
- Stand-Alone Receiver with Wireless Remote TCB-AX32UL
- Remote Sensor TCB-TC41LUL
- Wired Remote Controller RBC-AMT32UL
- Fan Guard Required with Bottom Return Applications TCB-IG071BUL

Manufacturer reserves the right to discontinue, or change at any time, specifications or designs without notice and without incurring obligations.

DIMENSIONAL DRAWING INDOOR UNIT CONCEALED DUCT MMD-AP0124BH2UL



Space required for installation
Clearance required for maintenance and service



- NOTES:**
1. Dimensions are in inches (mm).
 2. Access area is required for maintaining and servicing the electrical box, filter, drain pump, drain pipe, and refrigerant pipe.
 3. Optional access area is required when connecting optional OA (outdoor air) opening to the unit.
 4. The filter can be replaced through either access area ONLY.
 5. When routing the refrigerant and drain pipe, do not block access to control box and filter.
 6. Filters are field supplied per local code requirements.

Model	A	B	C	D	E	F	G	H
MMD-AP0124BH2UL	24.3 (616)	21.7 (550)	13.9 (351.6)	18.6 (471.6)	23.6 (550)	23.6 (550)	0.375 (9.5)	0.25 (6.4)

