

SMMSi Single VRF Outdoor Unit MMY-MAP0724HT9UL - Heat Pump

TOSHIBA
Carrier

Submittal Data

Job Data _____ Location _____
 Buyer _____ Buyer PO # _____ Carrier # _____
 Unit Number _____ Model Number _____
 Performance Data Certified By _____ Date _____



SMMSi VRF Heat Pump Features

- 6, 8, and 10-ton modules available
- Modules have 2 or 3 inverter-driven twin rotary compressors
- Backup capability due to multiple compressors
- Compressor speed varied in 0.1 Hz increments for comfort and efficiency
- Direct drive, inverter-driven 64-step outdoor motor
- Modules can be combined to form larger systems, up to 20 tons
- 985 ft (300 m) actual total system piping (liquid line)
- 590 ft (180 m) actual piping length from outdoor unit to furthest fan coil
- Up to 330 ft (100 m) outdoor control wiring
- Up to 6560 ft (2000 m) control wiring between the outdoor unit and indoor units
- Operating temperature range
Cooling (db): 23 to 115 F (-5 to 46 C)
Heating (wb): -4 to 60 F (-20 to 15.6 C)
- Protection: high pressure switch, low pressure sensor and switch, PC board fuse, inverter overload protection
- 7-year compressor limited warranty, 5-year parts limited warranty

| Header Unit Model | MMY-MAP0724HT9UL | |
|--|------------------|---------------|
| PERFORMANCE | | |
| Nominal Cooling Capacity | Btu/h | 72,000 |
| Heating Rated Capacity | Btu/h | 81,000 |
| Maximum Total Connected Indoor Unit Capacity | | Up to 125% |
| COOLING EFFICIENCY* | | |
| EER/IEER, Ducted FCUs | | 11.5/17.7 |
| EER/IEER, Ductless FCUs | | 11.0/20.9 |
| HEATING EFFICIENCY* | | |
| COP at 47 F, Ducted FCUs | | 3.46 |
| COP at 47 F, Ductless FCUs | | 3.50 |
| Fan Type (Qty) | | Propeller (1) |
| Airflow, Standard Range | CFM | 5800 |
| Sound Pressure, Cooling/Heating | dBA | 56/57 |
| External Static Pressure† | in. wg | 0.20 |
| ELECTRICAL | | |
| Power Supply | V/Ph/Hz | 208-230/3/60 |
| Minimum Circuit Amps (MCA) | A | 36 |
| Maximum Overcurrent Protection (MOCP) | A | 40 |

| COMPRESSORS | | |
|---|-----|-----------------------------|
| Type (Number) | | Inverter Twin Rotary (2) |
| Motor Output | kW | 2 x 2.3 |
| FAN MOTOR | | |
| Motor Type (Steps) | | Inverter Direct Driven (64) |
| Motor Output | kW | 1.0 |
| PHYSICAL DATA | | |
| Pipe Connection Size - Liquid (High Pressure) | in. | 1/2 (Flare) |
| Pipe Connection Size - Gas (Low Pressure) | in. | 7/8 (Brazed) |
| Balance | in. | 3/8 (Flare) |
| Refrigerant | | R-410A |
| Factory Charge** | lb | 25.4 |
| External Finish | | Munsell 1Y8.5/0.5 |
| Unit Width | in. | 39 |
| Unit Height | in. | 72-7/8 |
| Unit Depth | in. | 30-11/16 |
| Unit Net Weight | lb | 546 |

LEGEND

| | | |
|-------------|---|------------------------------------|
| db | — | Dry Bulb |
| COP | — | Coefficient of Performance |
| EER | — | Energy Efficiency Ratio |
| FCU | — | Fan Coil Unit |
| IEER | — | Integrated Energy Efficiency Ratio |
| wb | — | Wet Bulb |

*Rated per AHRI (Air-Conditioning, Heating and Refrigeration Institute) 1230 Standard

Cooling: Indoor 80 F (35 C) db/67 F (27 C) wb; Outdoor 95 F (35 C) db
 Heating: Indoor 70 F (21 C) db; Outdoor 47 F (8 C) db/43 F (6 C) wb

†Requires setting by DIP switches.

**Additional charge required.

NOTE: Unit cabinet and coil slab shall be capable of withstanding 500-hour salt spray test in accordance with the ASTM (American Society for Testing and Materials, U.S.A.) B-117 Standard.

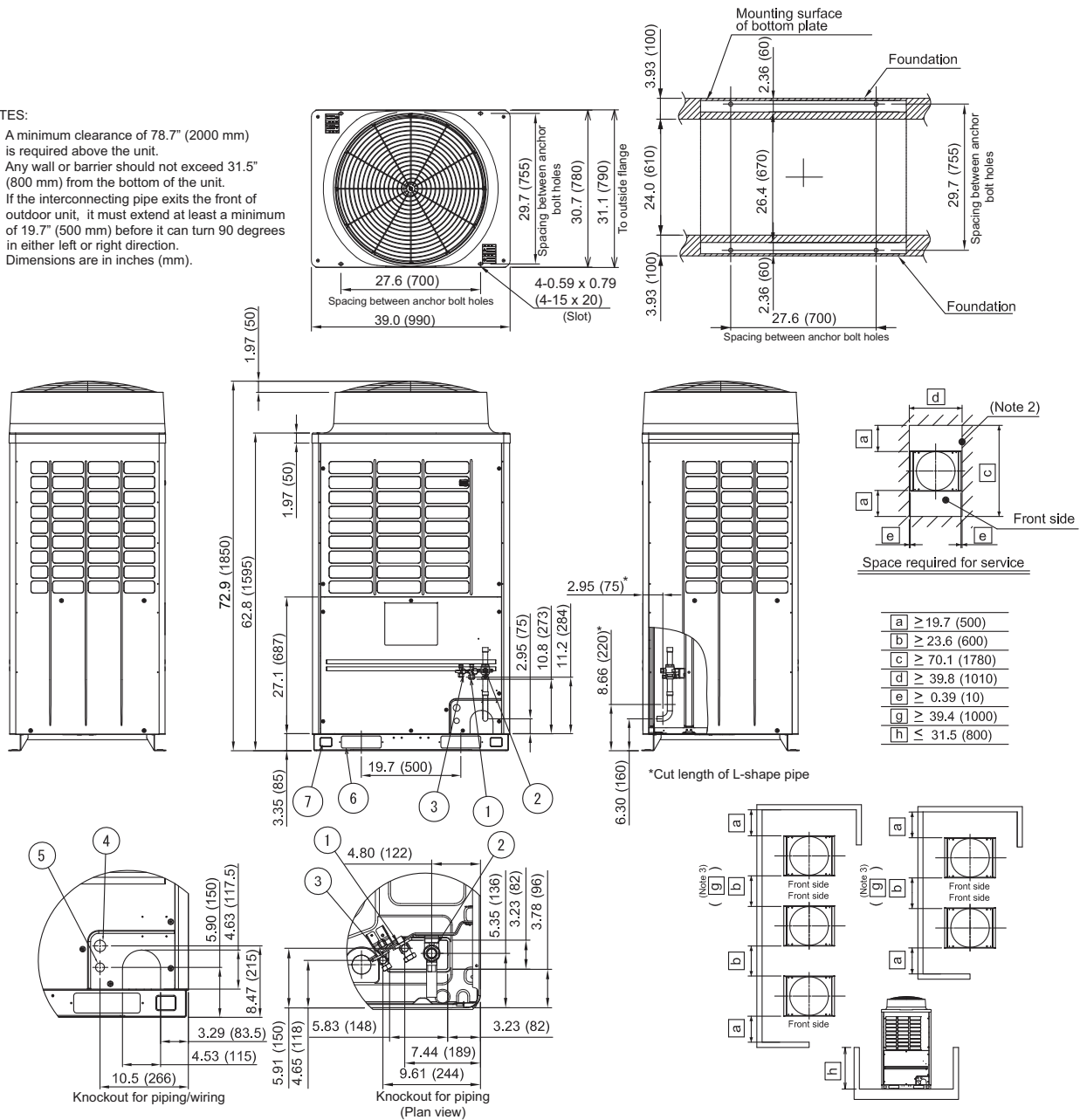
Manufacturer reserves the right to discontinue, or change at any time, specifications or designs without notice and without incurring obligations.

DIMENSIONAL DRAWING

OUTDOOR UNIT HEAT PUMP/SINGLE UNIT MMY-MAP0724HT9UL

NOTES:

1. A minimum clearance of 78.7" (2000 mm) is required above the unit.
2. Any wall or barrier should not exceed 31.5" (800 mm) from the bottom of the unit.
3. If the interconnecting pipe exits the front of outdoor unit, it must extend at least a minimum of 19.7" (500 mm) before it can turn 90 degrees in either left or right direction.
4. Dimensions are in inches (mm).



| No | Parts name | Dimensions |
|----|---|----------------------------|
| ① | Liquid service valve connection port | Φ 1/2 (12.7) |
| ② | Gas service valve connection port | Φ 8/9 (22.2) |
| ③ | Balance service valve connection port | Φ 3/8 (9.5) |
| ④ | Knockout hole for power wiring | Φ 1.36 (34.5) |
| ⑤ | Knockout hole for control wiring | Φ 1.06 (27) |
| ⑥ | Rectangular hole (for freight handling) | 4-2.36 x 7.87 (4-60 x 200) |
| ⑦ | Square hole (for rigging) | 4-1.58 x 2.17 (4-40 x 55) |

