

SHRMi VRF Outdoor Unit MMY-AP1924FT9UL - Heat Recovery

TOSHIBA
Carrier

Submittal Data

Job Data _____ Location _____
 Buyer _____ Buyer PO # _____ Carrier # _____
 Unit Number _____ Model Number _____
 Performance Data Certified By _____ Date _____



SHRMi VRF Heat Recovery Features

- Two 8-ton modules are combined to form a 16-ton system
- Capable of simultaneous cooling and heating (flow selector boxes required)
- Modules have 3 inverter-driven twin rotary compressors
- Backup capability due to multiple compressors
- Compressor speed varied in 0.1 Hz increments for comfort and efficiency
- Direct drive, inverter-driven 64-step outdoor motor
- 985 ft (300 m) actual total system piping (liquid line)
- 575 ft (175 m) actual piping length from outdoor unit to furthest fan coil
- Up to 330 ft (100 m) outdoor control wiring
- Up to 6560 ft (2000 m) control wiring between outdoor and indoor units
- Operating temperature range
Cooling (db): 14 to 109 F (-10 to 42.8 C)
Heating (wb): -4 to 60 F (-20 to 15.6 C)
- Protection: high pressure switch, low pressure sensor and switch, PC board fuse, inverter overload protection
- 7-year compressor limited warranty, 5-year parts limited warranty

Header Unit Model	MMY-MAP0964FT9UL	
Follower Unit Model	MMY-MAP0964FT9UL	
PERFORMANCE		
Nominal Cooling Capacity	Btu/h	192,000
Nominal Heating Capacity	Btu/h	216,000
Maximum Total Connected Indoor Unit Capacity	Up to 125%	
SIMULTANEOUS COOLING AND HEATING EFFICIENCY*		
SCHE, Ducted FCUs	26.68	
SCHE, Ductless FCUs	29.70	
COOLING EFFICIENCY*		
EER/IEER, Ducted FCUs	11.1/16.4	
EER/IEER, Ductless FCUs	11.4/18.9	
HEATING EFFICIENCY*		
COP at 47 F, Ducted FCUs	3.23	
COP at 47 F, Ductless FCUs	3.25	
Fan Type (Qty)	Propeller (2)	
Airflow, Standard Range	CFM	7060 + 7060
Combined System Sound Pressure, Cooling/Heating	dBA	65.5/66
External Static Pressure†	in. wg	0.16
ELECTRICAL		
Power Supply	V/Ph/Hz	208-230/3/60
Minimum Circuit Amps (MCA)**	A	50/50
Maximum Overcurrent Protection (MOCP)**	A	60/60

LEGEND

- db — Dry Bulb
- COP — Coefficient of Performance
- EER — Energy Efficiency Ratio
- FCU — Fan Coil Unit
- IEER — Integrated Energy Efficiency Ratio
- SCHE — Simultaneous Cooling and Heating Efficiency
- wb — Wet Bulb

COMPRESSORS		
Type (Number)		Inverter Twin Rotary (6)
Motor Output	kW	3 x 2.1 + 3 x 2.1
FAN MOTOR		
Motor Type (Steps)	Inverter Direct Driven (64)	
Motor Output	kW	1.0 + 1.0
PHYSICAL DATA		
Main Pipe Connection Size - Liquid (High Pressure)††	in.	3/4 (Flare)
Main Pipe Connection Size - Gas (Low Pressure)††	in.	1-1/8 (Brazed)
Main Discharge (High Pressure)††	in.	7/8 (Brazed)
Balance	in.	3/8 (Flare)
Refrigerant	R-410A	
Factory Charge***	lb	2 x 25.4
External Finish	Munsell 1Y8.5/0.5	
Header Unit/Follower Unit Width	in.	47-9/16 / 47-9/16
Header Unit/Follower Unit Height	in.	72-7/8 / 72-7/8
Header Unit/Follower Unit Depth	in.	30-11/16 / 30-11/16
Header Unit/Follower Unit Net Weight	lb	751/751
REQUIRED ACCESSORY		
Connection Kit		RBM-BT14FUL

*Rated per AHRI (Air-Conditioning, Heating and Refrigeration Institute) 1230 Standard.

Cooling: Indoor 80 F (35 C) db/67 F (27 C) wb; Outdoor 95 F (35 C) db

Heating: Indoor 70 F (21 C) db; Outdoor 47 F (8 C) db/43 F (6 C) wb

†Requires setting by DIP switches.

**Separate power supply is required. MCA and MOCP for both units are given.

††Main pipe size leaving connection kit.

***Additional charges required.

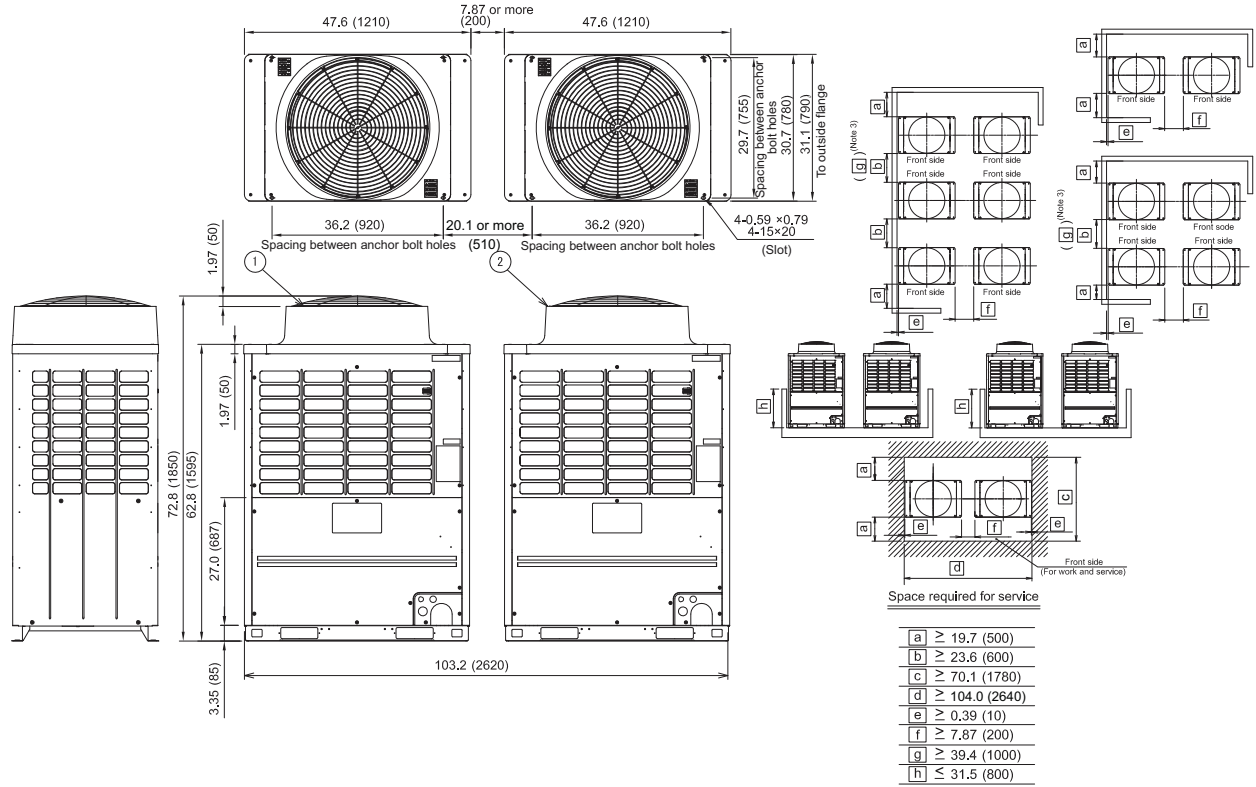
NOTE: Unit cabinet and coil slab shall be capable of withstanding 500-hour salt spray test in accordance with the ASTM (American Society for Testing and Materials, U.S.A.) B-117 Standard.

Manufacturer reserves the right to discontinue, or change at any time, specifications or designs without notice and without incurring obligations.

DIMENSIONAL DRAWING OUTDOOR UNIT COMBINATION HEAT RECOVERY MMY-AP1924FT9UL

NOTES:

1. A minimum clearance of 78.7" (2000 mm) is required above the unit.
2. Any wall or barrier should not exceed 31.5" (800 mm) from the bottom of the unit.
3. If the interconnecting pipe exits the front of outdoor unit, it must extend at least a minimum of 19.7" (500 mm) before it can turn 90 degrees in either left or right direction.
4. Outdoor units are identified based on capacity: Header Unit (1) ≥ Follower Unit (2).
5. Dimensions are in inches (mm).

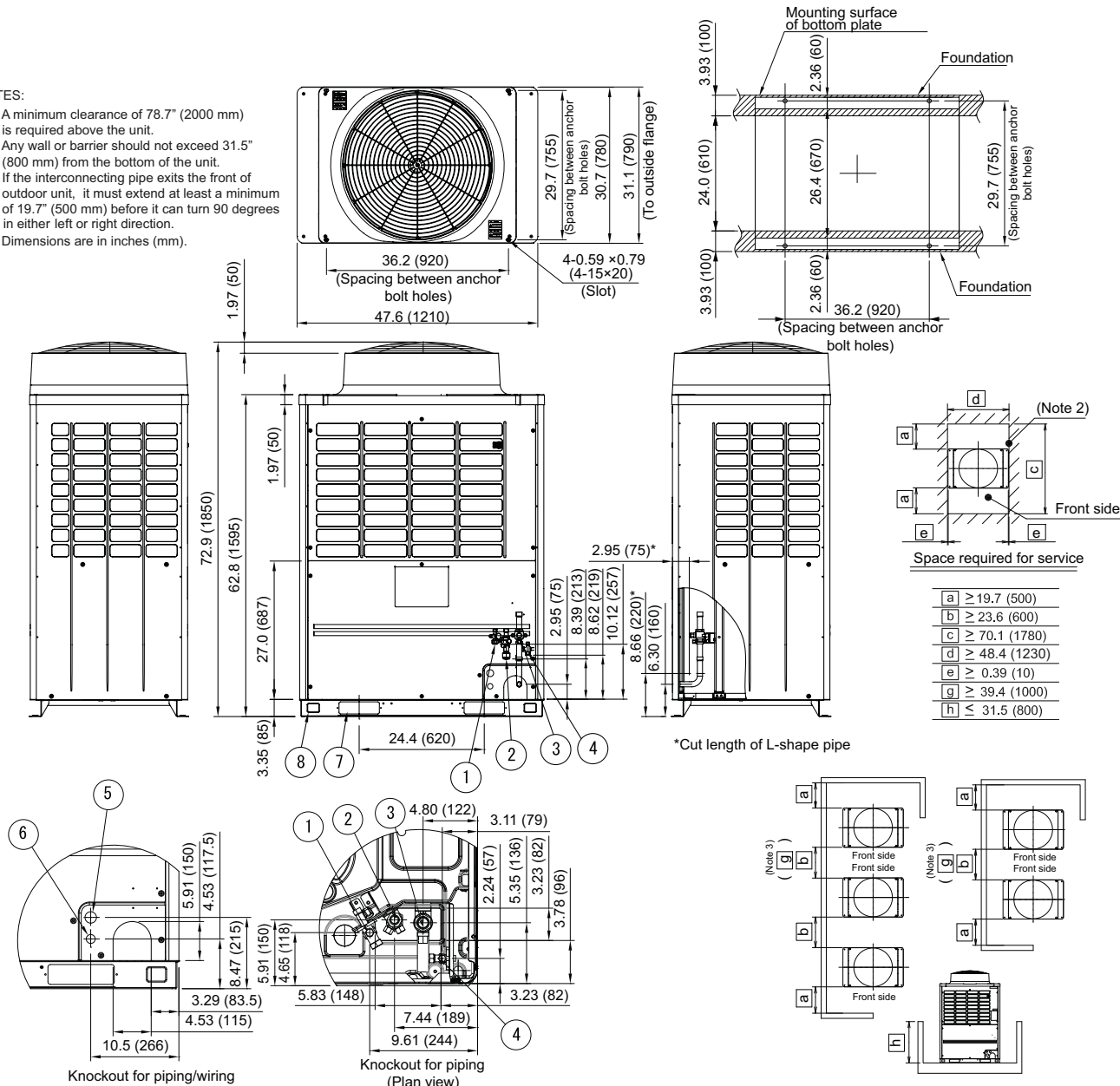


DIMENSIONAL DRAWING

OUTDOOR UNIT HEAT RECOVERY/SINGLE UNIT MMY-MAP0964FT9UL

NOTES:

1. A minimum clearance of 78.7" (2000 mm) is required above the unit.
2. Any wall or barrier should not exceed 31.5" (800 mm) from the bottom of the unit.
3. If the interconnecting pipe exits the front of outdoor unit, it must extend at least a minimum of 19.7" (500 mm) before it can turn 90 degrees in either left or right direction.
4. Dimensions are in inches (mm).



No	Parts name	Dimensions
①	Liquid service valve connection port	Φ1/2 (12.7)
②	Discharge service valve conn. port	Φ3/4 (19.1)
③	Suction gas service valve conn. port	Φ7/8 (22.2)
④	Balance service valve conn. port	Φ3/8 (9.5)
⑤	Knockout hole for power wiring	Φ1.36 (34.5)
⑥	Knockout hole for control wiring	Φ1.06 (27)
⑦	Rectangular hole (for freight handling)	4-2.36 x 7.87 (4-60X200)
⑧	Square hole (for rigging)	4-1.58 x 2.17 (4-40X55)

