

SMMSi Single VRF Outdoor Unit MMY-AP1444HT6UL - Heat Pump

TOSHIBA
Carrier

Submittal Data

Job Data _____ Location _____
 Buyer _____ Buyer PO # _____ Carrier # _____
 Unit Number _____ Model Number _____
 Performance Data Certified By _____ Date _____



SMMSi VRF Heat Pump Features

- Two 6-ton modules are twinned to form a 12-ton system
- Modules have 2 inverter-driven twin rotary compressors
- Backup capability due to multiple compressors
- Compressor speed varied in 0.1 Hz increments for comfort and efficiency
- Direct drive, inverter-driven 64-step outdoor motor
- 985 ft (300 m) actual total system piping (liquid line)
- 590 ft (180 m) actual piping length from outdoor unit to furthest fan coil
- Up to 330 ft (100 m) outdoor control wiring
- Up to 6560 ft (2000 m) control wiring between the outdoor unit and indoor units
- Operating temperature range
Cooling (db): 23 to 115 F (-5 to 46 C)
Heating (wb): -4 to 60 F (-20 to 15.6 C)
- Protection: high pressure switch, low pressure sensor and switch, PC board fuse, inverter overload protection
- 7-year compressor limited warranty, 5-year parts limited warranty

Header Unit Model	MMY-MAP0724HT6UL	
Follower Unit Model	MMY-MAP0724HT6UL	
PERFORMANCE		
Nominal Cooling Capacity	Btu/h	144,000
Heating Rated Capacity	Btu/h	162,000
Maximum Total Connected Indoor Unit Capacity		Up to 125%
COOLING EFFICIENCY*		
EER/IEER, Ducted FCUs		10.7/16.8
EER/IEER, Ductless FCUs		10.9/20.9
HEATING EFFICIENCY*		
COP at 47 F, Ducted FCUs		3.24
COP at 47 F, Ductless FCUs		3.40
Fan Type (Qty)		Propeller (2)
Airflow, Standard Range	CFM	5800 + 5800
Twinned System Sound Pressure, Cooling/Heating	dBA	59/60
External Static Pressure†	in. wg	0.20
ELECTRICAL		
Power Supply	V/Ph/Hz	460/3/60
Minimum Circuit Amps (MCA)**	A	18/18
Maximum Overcurrent Protection (MOCP)**	A	20/20

LEGEND

db	—	Dry Bulb
COP	—	Coefficient of Performance
EER	—	Energy Efficiency Ratio
FCU	—	Fan Coil Unit
IEER	—	Integrated Energy Efficiency Ratio
wb	—	Wet Bulb

COMPRESSORS		
Type (Number)	Inverter Twin Rotary (4)	
Motor Output	kW	4 x 2.3
FAN MOTOR		
Motor Type (Steps)	Inverter Direct Driven (64)	
Motor Output	kW	1.0 + 1.0
PHYSICAL DATA		
Pipe Connection Size - Liquid (High Pressure)††	in.	5/8 (Flare)
Pipe Connection Size - Gas (Low Pressure)††	in.	1-1/8 (Brazed)
Balance	in.	3/8 (Flare)
Refrigerant	R-410A	
Factory Charge***	lb	2 x 25.4
External Finish	Munsell 1Y8.5/0.5	
Header Unit/Follower Unit Width	in.	39 / 39
Header Unit/Follower Unit Height	in.	72-7/8 / 72-7/8
Header Unit/Follower Unit Depth	in.	30-11/16 / 30-11/16
Header Unit/Follower Unit Net Weight	lb	621 / 621
REQUIRED ACCESSORY		
Twining Kit	RBM-BT14UL	

*Rated per AHRI (Air-Conditioning, Heating and Refrigeration Institute) 1230 Standard

Cooling: Indoor 80 F (35 C) db/67 F (27 C) wb; Outdoor 95 F (35 C) db
 Heating: Indoor 70 F (21 C) db; Outdoor 47 F (8 C) db/43 F (6 C) wb

†Requires setting by DIP switches.

**Separate power supply required. MCA and MOCP for both units shown.

††Main pipe size leaving twinning kit.

***Additional charge required.

NOTE: Unit cabinet and coil slab shall be capable of withstanding 500-hour salt spray test in accordance with the ASTM (American Society for Testing and Materials, U.S.A.) B-117 Standard.

Manufacturer reserves the right to discontinue, or change at any time, specifications or designs without notice and without incurring obligations.

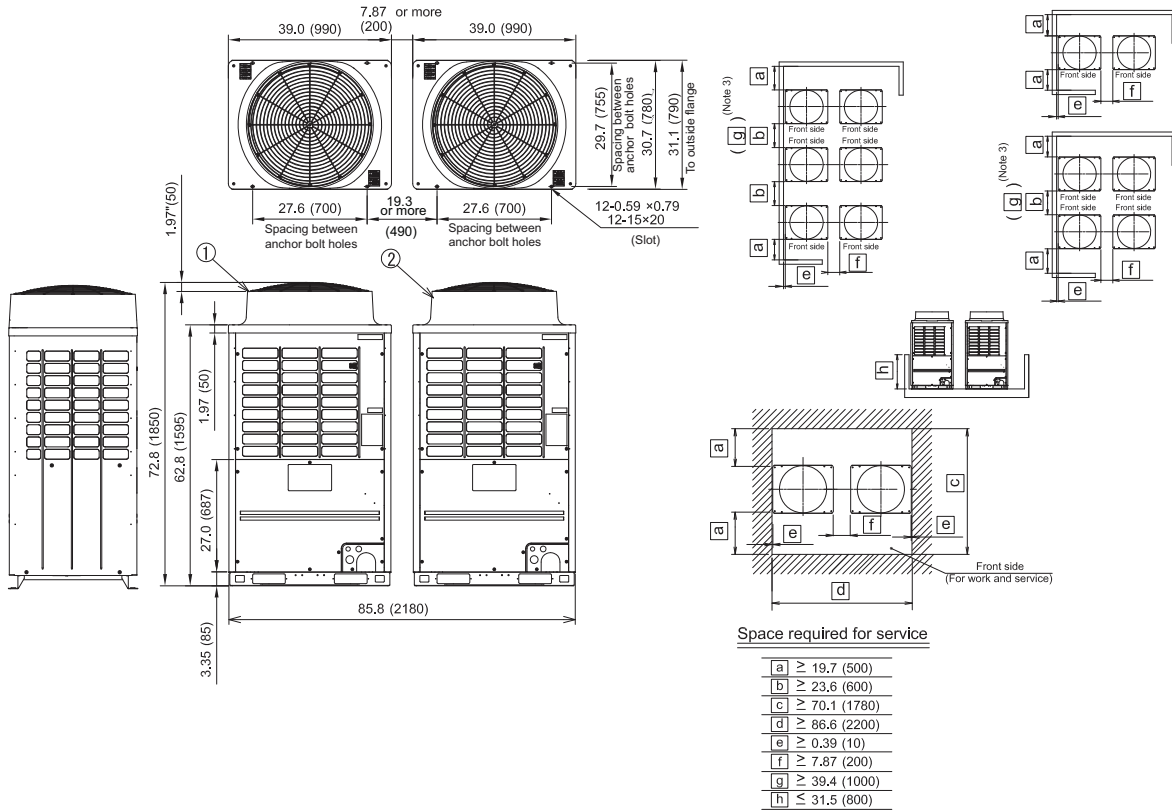
DIMENSIONAL DRAWING

OUTDOOR UNIT COMBINATION: HEAT PUMP/TWINNED UNIT

MMY-AP1444HT6UL

NOTES:

1. A minimum clearance of 78.7" (2000 mm) is required above the unit.
2. Any wall or barrier should not exceed 31.5" (800 mm) from the bottom of the unit.
3. If the interconnecting pipe exits the front of outdoor unit, it must extend at least a minimum of 19.7" (500 mm) before it can turn 90 degrees in either left or right direction.
4. Outdoor units are identified based on capacity: Header Unit (1) ≥ Follower Unit (2).
5. Dimensions are in inches (mm).



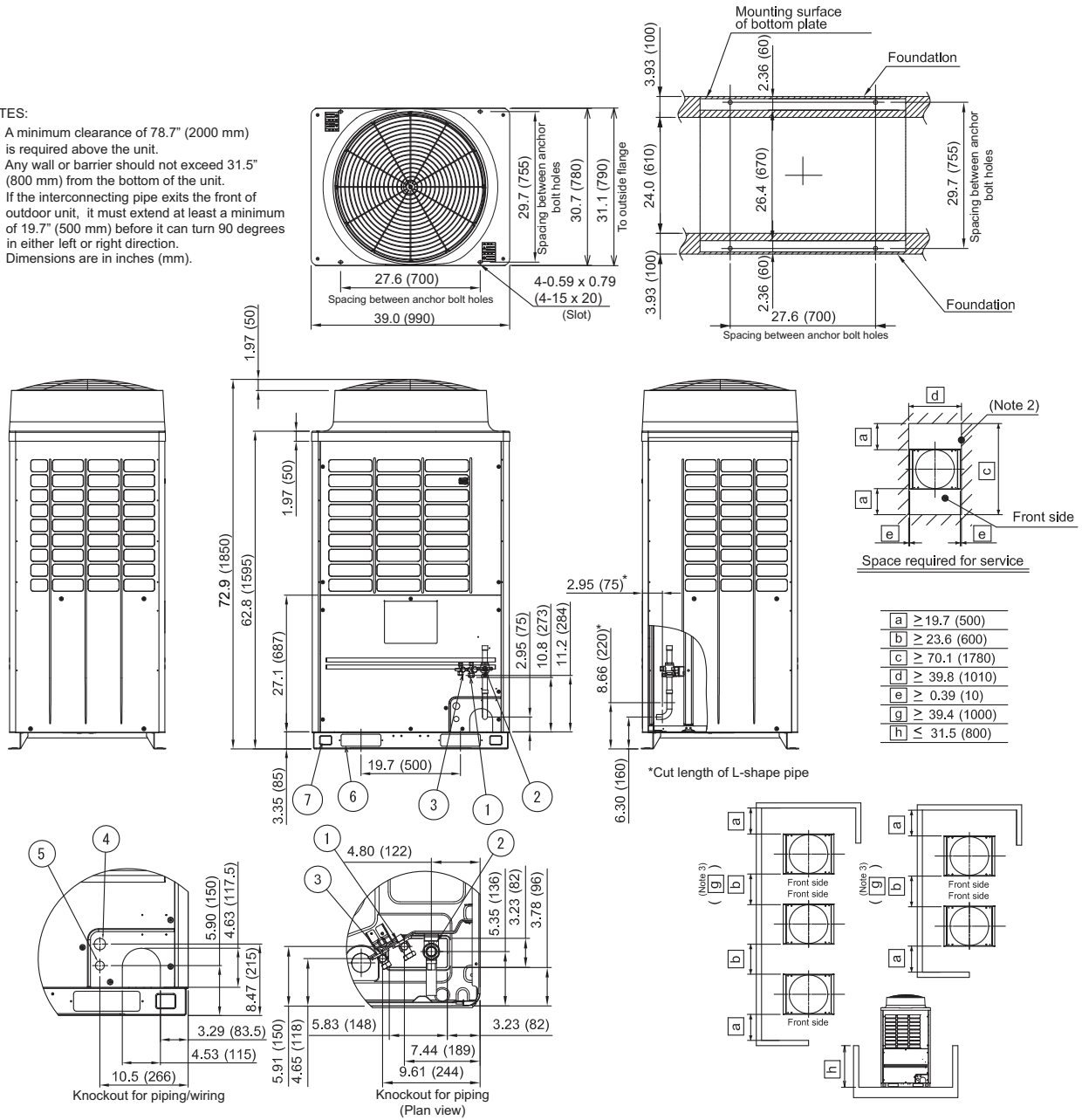
MODEL	OUTDOOR UNIT	
	HEADER UNIT (1)	FOLLOWER UNIT (2)
MMY-AP1444HT6UL	MMY-MAP0724HT6UL	MMY-MAP0724HT6UL

DIMENSIONAL DRAWING

OUTDOOR UNIT: HEAT PUMP/SINGLE UNIT MMY-MAP0724HT6UL

NOTES:

1. A minimum clearance of 78.7" (2000 mm) is required above the unit.
2. Any wall or barrier should not exceed 31.5" (800 mm) from the bottom of the unit.
3. If the interconnecting pipe exits the front of outdoor unit, it must extend at least a minimum of 19.7" (500 mm) before it can turn 90 degrees in either left or right direction.
4. Dimensions are in inches (mm).



No	Parts name	Dimensions
①	Liquid service valve connection port	Φ 1/2 (12.7)
②	Gas service valve connection port	Φ 8/9 (22.2)
③	Balance service valve connection port	Φ 3/8 (9.5)
④	Knockout hole for power wiring	Φ 1.36 (34.5)
⑤	Knockout hole for control wiring	Φ 1.06 (27)
⑥	Rectangular hole (for freight handling)	4-2.36 x 7.87 (4-60 x 200)
⑦	Square hole (for rigging)	4-1.58 x 2.17 (4-40 x 55)

