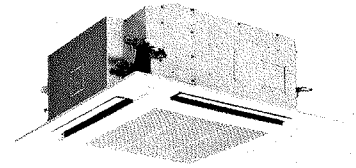




1. Specifications



4-Way Cassette type

Model name			MMU-	AP0182H2UL	AP0212H2UL	AP0242H2UL	AP0302H2UL	AP0362H2UL	AP0422H2UL	
Cooling Capacity			kBtu/h	18	21	24	30	36	42	
Heating Capacity			kBtu/h	20	24	27	34	40	47.5	
Electrical characteristics	Power supply		230V(208/230V) 1phase 60Hz							
	Power consumption		kW	0.026	0.036	0.036	0.043	0.088	0.112	
Appearance	Main unit		Zinc hot dipping steel plate Heat-insulating material attached							
	Ceiling panel	Model		RBC-U31PG(W)-UL						
		Panel color		White (2.5GY9.0/0.5)						
Dimension (Ceiling panel)*	Unit	Height	In	10.1(1.2)*	10.1(1.2)*	10.1(1.2)*	10.1(1.2)*	12.6(1.2)*	12.6(1.2)*	
		Width	In	33.1(37.4)*	33.1(37.4)*	33.1(37.4)*	33.1(37.4)*	33.1(37.4)*	33.1(37.4)*	
		Depth	In	33.1(37.4)*	33.1(37.4)*	33.1(37.4)*	33.1(37.4)*	33.1(37.4)*	33.1(37.4)*	
	Packing	Height	In	11.3(3.9)*	11.3(3.9)*	11.3(3.9)*	11.3(3.9)*	13.8(3.9)*	13.8(3.9)*	
		Width	In	36.0(39.8)*	36.0(39.8)*	36.0(39.8)*	36.0(39.8)*	36.0(39.8)*	36.0(39.8)*	
		Depth	In	37.2(39.8)*	37.2(39.8)*	37.2(39.8)*	37.2(39.8)*	37.2(39.8)*	37.2(39.8)*	
Total weight (Ceiling panel)*	Unit		lb	44(10)*	44(10)*	44(10)*	44(10)*	55(10)*	55(10)*	
	Packed unit		lb	53(15.5)*	53(15.5)*	53(15.5)*	53(15.5)*	64(15.5)*	64(15.5)*	
Heat exchanger			Finned tube							
Fan unit	Fan		Turbo fan							
	Standard air flow(High/Mid/Low)		cfm	550/480/440	670/540/490	670/540/490	730/630/510	1160/840/630	1250/840/670	
	Motor		W	60	60	60	60	150	150	
Air filter			Standard filter (Long life filter)							
Connecting pipe	Gas side		In	1/2"	5/8"	5/8"	5/8"	5/8"	5/8"	
	Liquid side		In	1/4"	3/8"	3/8"	3/8"	3/8"	3/8"	
	Drain port (Nominal dia.)		In	VP25(Polyvinyl chloride tube: External Dia.1-1/4 Internal Dia.1)						
Sound puresure level (High/Mid/Low) (*1)			dB(A)	35/33/31	38/33/31	38/33/31	41/36.5/34	46/40.5/36.5	48.5/40.5/37.5	
Option parts	Spacer for height adjustment		TCB-SP1602UUL							
	Air-discharge direction kit		TCB-BC1602UUL							
	Fresh-air chamber		TCB-GFC1602UUL							
	Fresh-air inlet box		TCB-GB1602UUL							
	Auxiliary fresh air flange		TCB-FF101URUL							

Note

* Figures in parentheses are for ceiling panels.

(*1) The actual values in an external operating environment are generally higher than the indicated values due to the contribution from ambient noise.



9. Fresh air intake (Design guide)

4-Way Cassette type

Usage

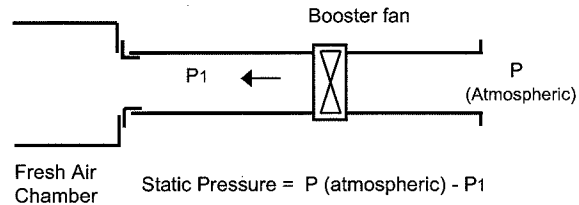
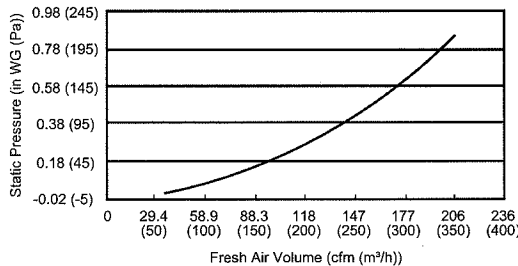
The fresh air and filter chamber is used as the filter chamber.
Fresh air intake by using the fresh air and filter chamber and fresh air inlet box.

Usage as the filter chamber

In case the optional filter is used, air volume may decrease. This can cause decrease temperature of cooling air flow and dew drop.

Caution

1. Be sure to provide air return.
2. The fresh air shall be treated by heat reclaim ventilator or the like.
3. Recommended treated air temperature is 54°F to 86°F.
Provide an air filter in fresh air way to prevent sucking dust.
4. Be sure to decide the fresh air volume so that mixed suction air with fresh air keep operating temperature.
5. Be sure to insulate the fresh air duct.
In order to accelerate starting up in heating mode, implement pre-heating operation by cutting off fresh air intake.

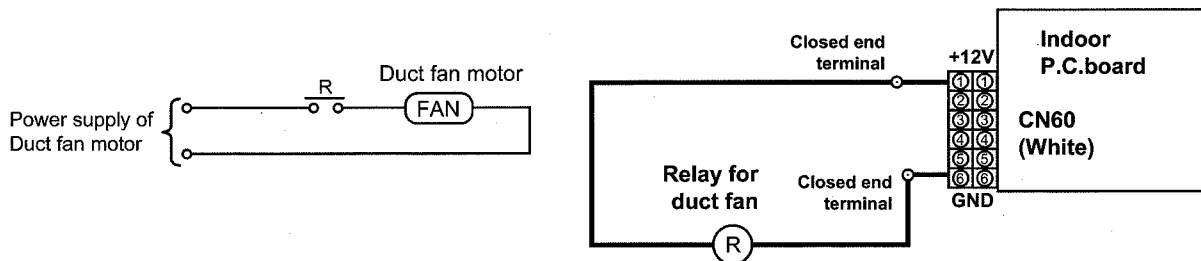


Characteristics between air volume of branching duct and static pressure

Up to 20% fresh air intake ratio is available by using the booster fan.
fresh air intake ratio = (fresh air volume) / (total air volume) X 100 %

Inter - lock circuit

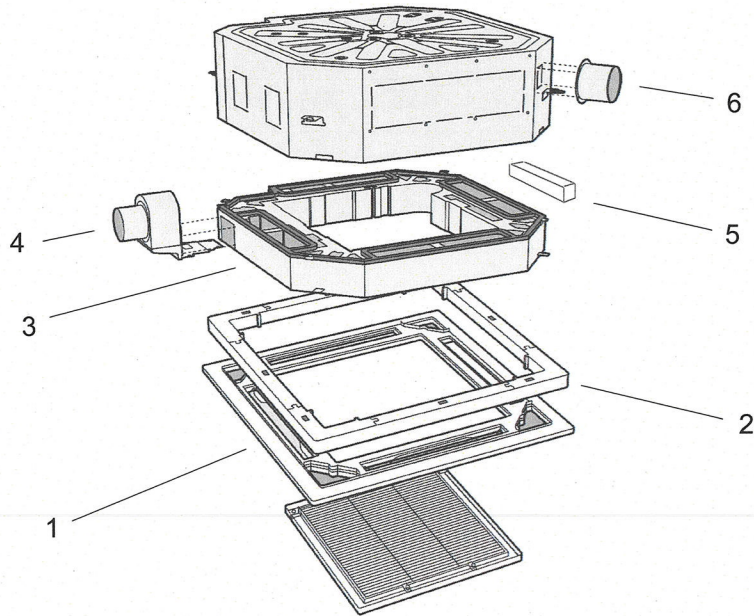
1. Connect the driving relay of the duct fan (DC 12 V) between 1 and 6 on the indoor P.C.board.
Part indicated with a bold line is the connecting circuit.
After installation, implement a trial operation to check that the duct fan of the indoor unit start / stop simultaneously.
(Implement the trial operation following to the installation manual of the indoor unit.)





11. Accessories

Optional parts for 4-Way Cassette type



Optional parts list

No	Type	Model name	Qty/unit	Notes
1	Ceiling Panel (wide-flow louver)	RBC-U31PG(W)-UL	1	White (2.5GY9.0/0.5)
2	Spacer for height adjustment	TCB-SP1602UUL	1	50mm
3	Fresh-air chamber	TCB-GFC1602UUL	1	Use with TCB-GB1602UUL
4	Fresh-air inlet box	TCB-GB1602UUL	1	Connection=Dia.100mm Fresh air intake ratio: Up to 20%
5	Air-discharge direction kit	TCB-BC1602UUL	1	6-direction patterns
6	Auxiliary fresh air flange	TCB-FF101URUL	1	Connection=Dia.100mm Fresh air intake ratio: Up to 5%