



VZ7260X5X00W
Zigbee™ Wireless Zone Terminal Equipment
Controller

Installation Guide

For Commercial Zoning Systems

March 13th, 2012 / 028-0329-R2

CONTENTS

Installation	2
Location	2
Installation	2
Theory of Operation	3
Features and benefits overview	3
Wireless System Overview	5
Terminal, Identification and Function	6
Wiring	6
Typical Applications	7
Main outputs wiring	7
Remote sensor accessories	11
CO2 sensor wiring	12
Configuring and Status Display Instructions	13
Status display	13
User interface	14
User configuration menu	14
Local keypad interface	15
Installer Configuration Parameter Menu	15
AI4 Input for CO2 Sensor	29
Referenced Operational Control Curves	30
Specifications	Error! Bookmark not defined.
Drawing & Dimensions	38



INSTALLATION

Remove the security screw on the bottom of Terminal Equipment Controller cover.

- Open unit by pulling on the bottom side of Terminal Equipment Controller (fig. 1).
- Remove wiring terminals from sticker.
- Please read the FCC ID and IC label installed in the cover upon removal of cover for the wireless products.

Location

1. Should not be installed on an outside wall.
2. Must be installed away from any direct heat source.
3. Should not be installed near an air discharge grill.
4. Should not be affected by direct sun radiation.
5. Nothing should restrict vertical air circulation to the Terminal Equipment Controller.

Installation

1. Swing open the Terminal Equipment Controller PCB to the left by pressing the PCB locking tabs (fig. 2).
2. Pull out cables 6" out from the wall.
3. Wall surface must be flat and clean.
4. Insert cable in the central hole of the base.
5. Align the base and mark the location of the two mounting holes on the wall. Install base in the proper orientation. Arrow on base should be facing up.
6. Install anchors in the wall.
7. Insert screws in mounting holes on each side of the base (fig. 2).
8. Gently swing back the circuit board on the base and push on it until the tabs lock it.
9. Strip each wire 1/4 inch from end.

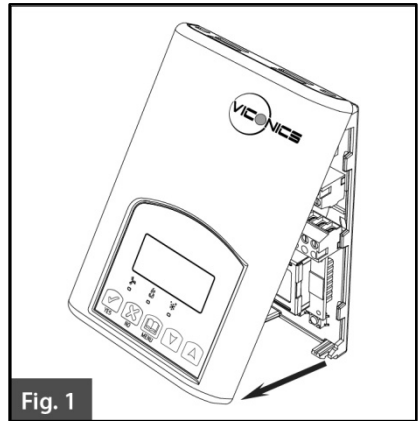


Fig. 1

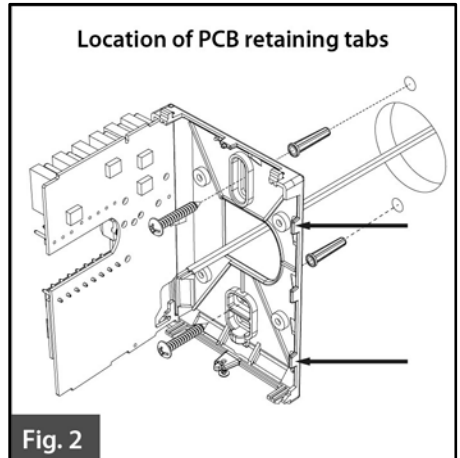


Fig. 2

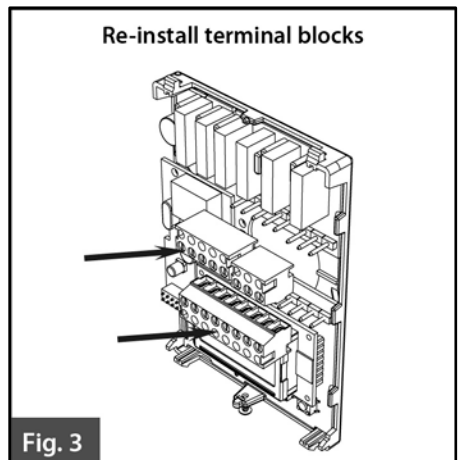


Fig. 3

10. Insert each wire according to wiring diagram.
11. Gently push excess wiring back into hole (fig. 3).
12. Re-Install wiring terminals in their correct locations (fig. 3).
13. Re-install the cover (top side first) and gently push extra wire length back into the hole in the wall.
14. Install security screw.



- When replacing an existing Terminal Equipment Controller, label the wires before removal of the Terminal Equipment Controller.
- Electronic controls are static sensitive devices. Discharge yourself properly before manipulating and installing the Terminal Equipment Controller.
- A short circuit or improper wiring may permanently damage the Terminal Equipment Controller or the equipment.
- All VT7000 series Terminal Equipment Controllers are designed for use as operating controls only and are not safety devices. These instruments have undergone rigorous tests and verification prior to shipping to ensure proper and reliable operation in the field. Whenever a control failure could lead to personal injury and or loss of property, it becomes the responsibility of the user or installer or electrical system designer to incorporate safety devices (such as relays, flow switch, thermal protections, etc...) and or an alarm system to protect the entire system against such catastrophic failures. Tampering with the devices or unintended application of the devices will result in a void of warranty.

THEORY OF OPERATION

The VZ7260 series uses a Viconics proprietary adaptive logic algorithm to control the space temperature. This algorithm controls the heating and or air conditioning system to minimize overshoot while still providing comfort. It provides exceptional accuracy due to its unique PI time proportioning control algorithm, which virtually eliminates temperature offset associated with traditional, differential-based On-Off thermostats.

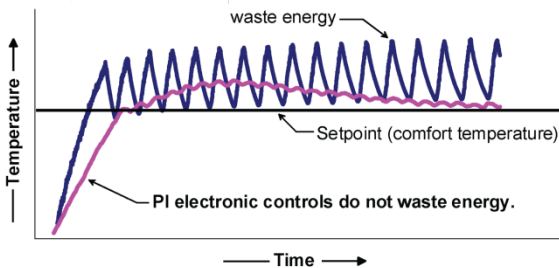


Fig.2 - On-Off mechanical control vs. PI electronic control.

Features and benefits overview

- Available with analog or floating outputs (model dependent).
- Adjustable Proportional Band.
- Password protected configuration menu.
- Removable terminal blocks.
- Hinged PC board design.
- EEPROM memory.

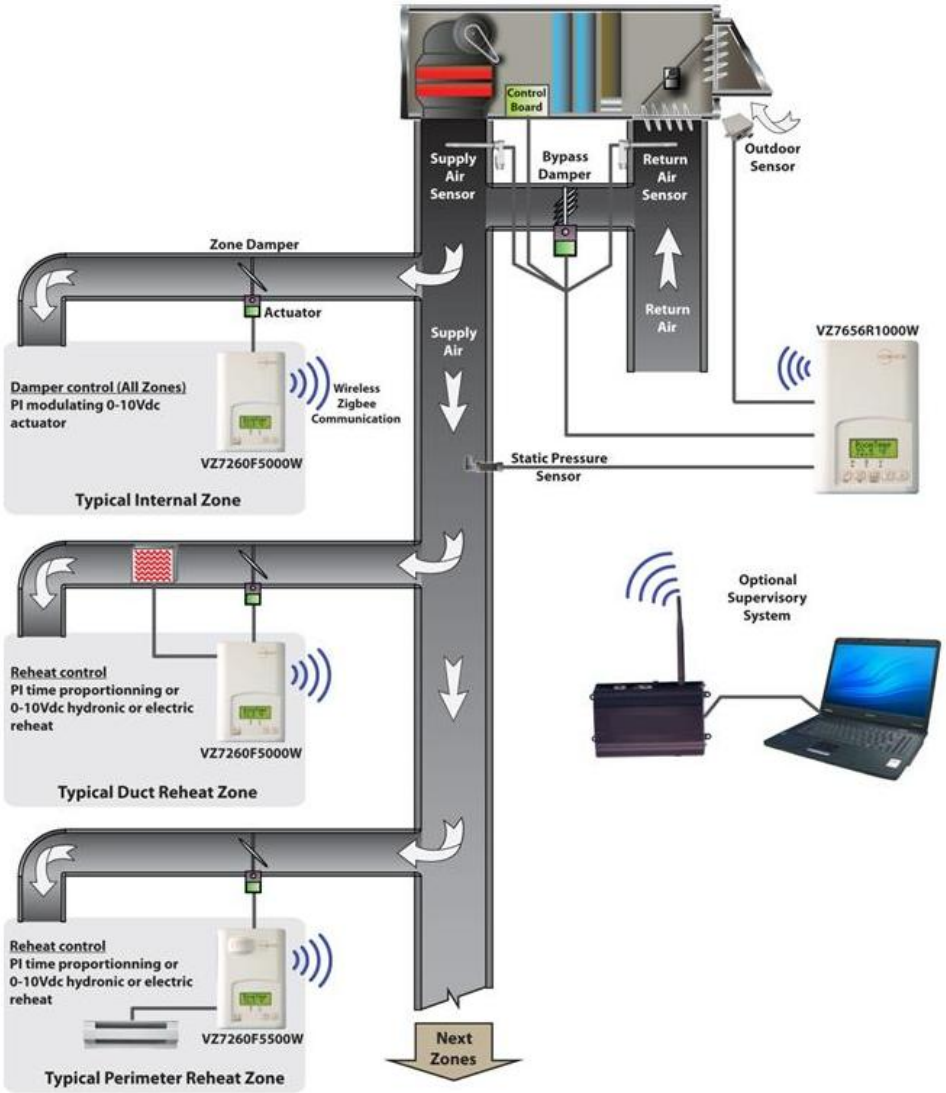
- PIR and Stand-by setpoints supported.
- Local keypad lockable.
- PI time proportioning algorithm.
- Auxiliary output.
- Auto central system RTU changeover.
- Unique local configuration setup utility.
- CO2 sensor input for monitoring and control.
- Configurable zone sequences of operation.
- Pre-engineered design, software and documentation.
- Self-discovering and self-binding database.
- Increased energy savings.
- Improves indoor air quality.
- Compatible with most actuator types (model dependent).
- No loss of program.
- Access to mounting holes.
- Facilitates wiring.

Easy configuration and self-binding operation

- Easy configuration without using any special software or additional tools.
- Can be used as stand-alone or with supervision controller for monitoring purposed.
- Truly scalable in terms of supported number of zones and RTU units.

WIRELESS SYSTEM OVERVIEW

Viconics VZ7260X5x00W Zone controllers are used in conjunction with the VZ7656X1000W Roof Top Controller controllers. Combined, they are designed for typical single or multistage RTU, HP's and their associated local zones.



Typical Wireless Zoning System Installation

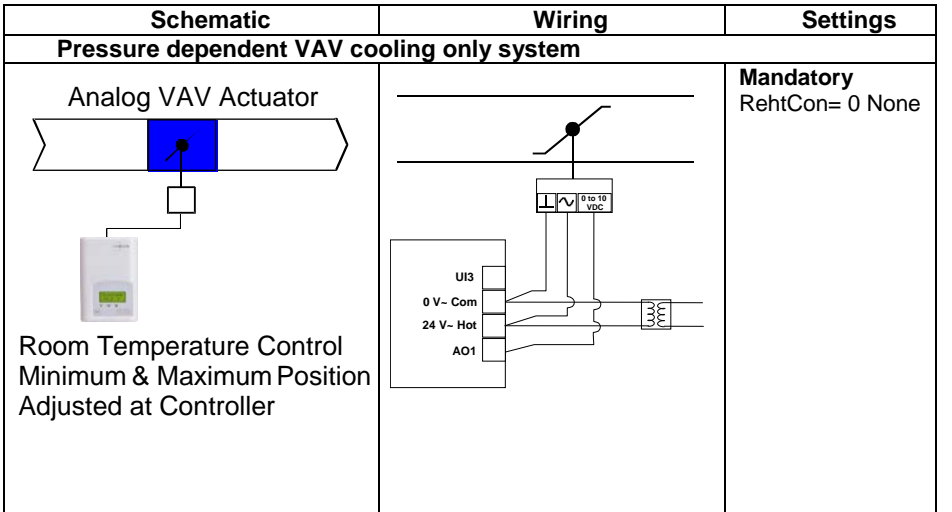
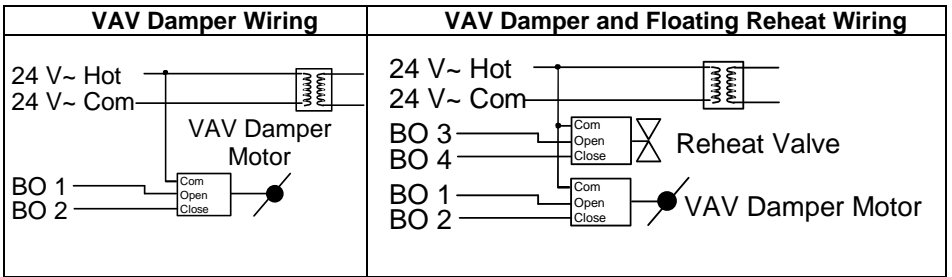
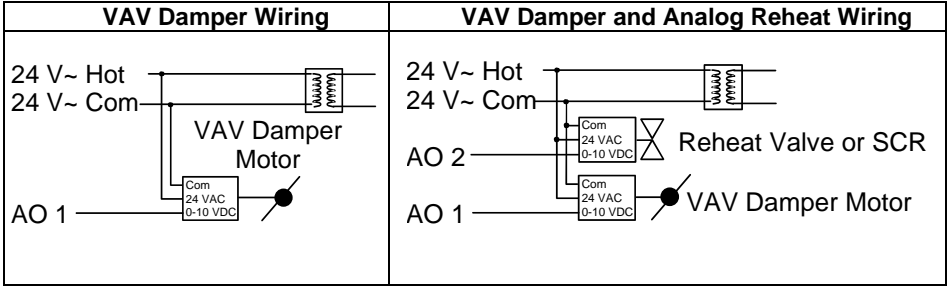
TERMINAL, IDENTIFICATION AND FUNCTION

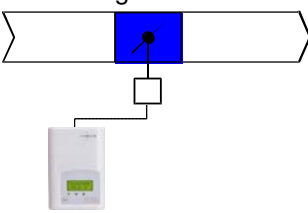
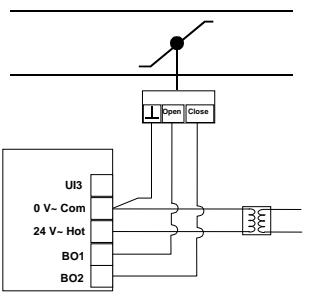
Wiring

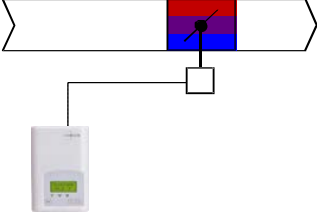
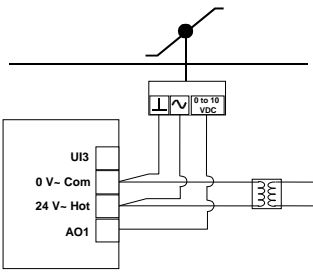
Terminal Use	Terminal Identification VZ7260F	Terminal Identification VZ7260C	Description
4 - 24 V ~ Hot	24V ~Hot	24V ~Hot	Power supply of controller, hot side (Delivered from the RTU).
5 - 0 V ~ Com	0V~Com	0V~Com	Power supply of controller, common side. Also used as reference for the analog outputs when used.
6- On-Off Rht	BO5	BO5	Local isolated triac reheat output when used.
7- On-Off Rht	BO5	BO5	Local isolated triac reheat output when used.
8- Primary Rht	Not used	BO3	24 VAC triac reheat output (open).
9 – Primary Rht	AO2	BO4	For VZ7260F: Local analog 0 - 10 VDC reheat output when used. For VZ7260C: 24VAC triac reheat output (close).
10 – VAV Damper	AO1	BO1	For VZ7260F: Local VAV analog 0 - 10 VDC. For VZ7260C: 24VAC triac VAV output (open).
11 – VAV Damper	Not used	BO2	For VZ7260C: 24VAC triac VAV output (closed).
12 – BI1	BI1	BI1	Configurable extra digital input. See parameter section for more information.
13 – AI4	AI4	AI4	0-10VDC analog input for remote CO2 or other sensor (airflow, etc...)
14 - Scom	Scom	Scom	Reference input for BI 1, BI 2, UI3 and RS.
15 - RS	RS	RS	Remote room sensor input when used. Input auto-detects a remote sensor and will automatically by-pass the internal sensor when used.
16 – UI3 / SS	UI3	UI3	Non-configurable extra analog input for monitoring local discharge or supply temperatures over the network.

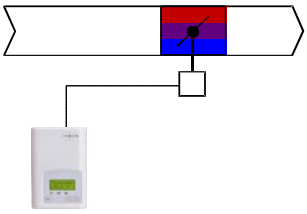
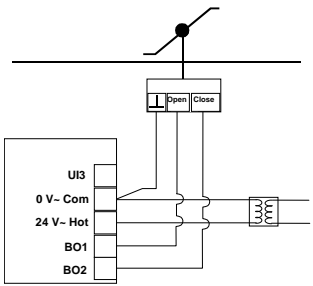
TYPICAL APPLICATIONS

Main outputs wiring



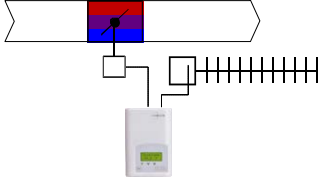
<p style="text-align: center;">Floating VAV Actuator</p>  <p>Room Temperature Control Minimum & Maximum Position Adjusted at Controller</p>		<p>Mandatory RehtConf = 0 None</p>
--	--	---

Pressure dependent VAV cooling or heating system with central changeover		
<p style="text-align: center;">0 to 10 Vdc Analog Actuator</p>  <p>Room Temperature Control Minimum & Maximum Position Adjusted at Controller</p>		<p>Mandatory RehtConf = 0 None</p>

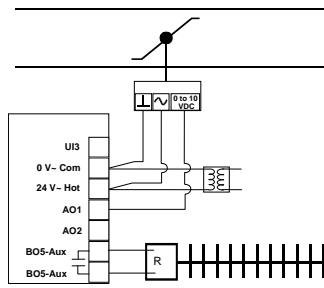
<p style="text-align: center;">Tri-State Floating Actuator</p>  <p>Room Temperature Control Minimum & Maximum Position Adjusted at Controller</p>		<p>Mandatory RehtConf = 0 None</p>
---	--	---

Pressure dependent VAV cooling or heating system with local On-Off perimeter reheat and central changeover

Analog VAV Actuator
Heating and/or Cooling
& On/Off Baseboard



Room Temperature Control
Minimum & Maximum Position
Adjusted at Controller

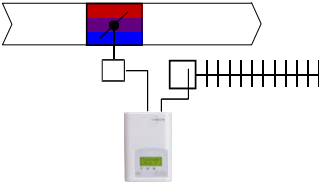


Mandatory
RehtConf = 3 =
On-Off Perimeter
Reheat Only

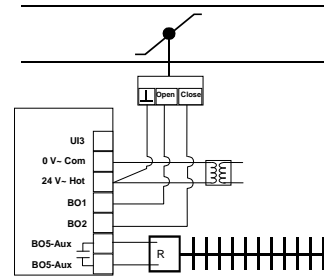
Set BO5 Time to
0= 15 minutes if
using regular 24
VAC relays

Set BO5 Time to
1= 10 seconds if
using 24 VAC
Solid State Relays
(SSRs) for
proportional control

Tri-State Floating VAV Actuator
Heating and/or Cooling
& On/Off Baseboard



Room Temperature Control
Minimum & Maximum Position
Adjusted at Controller



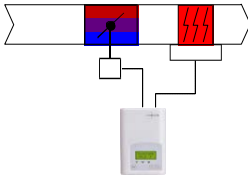
Mandatory
RehtConf = 3 =
On-Off Perimeter
Reheat Only

Set BO5 Time to
0= 15 minutes if
using regular 24
VAC relays

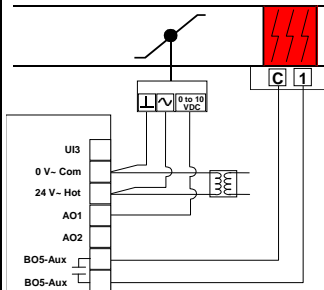
Set BO5 Time to
1= 10 seconds if
using 24 VAC
Solid State Relays
(SSRs) for
proportional control

Pressure dependent VAV cooling or heating system with local On-Off duct reheat and central changeover

Analog VAV Actuator
Heating and/or Cooling
& On/Off Duct Heater



Room Temperature Control
Min, Max and HeatFlow
Positions Adjusted at Controller

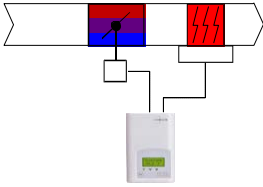


Mandatory
RehtConf = 2 =
On-Off Duct
Reheat Only

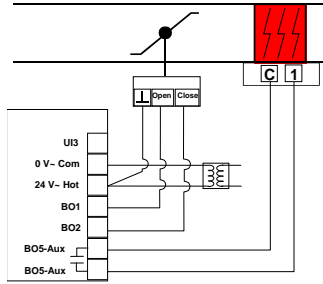
Set BO5 Time to
0= 15 minutes if
using regular 24
VAC relays

Set BO5 Time to
1= 10 seconds if
using 24 VAC
Solid State Relays
(SSRs) for
proportional control

Tri-State Floating VAV Heating and/or Cooling & On/Off Duct Heater



Room Temperature Control
Min, Max and HeatFlow Positions Adjusted at Controller



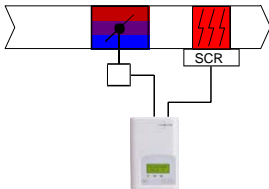
Mandatory
RehtConf = 2 =
On-Off Duct Reheat Only

Set BO5 Time to 0= 15 minutes if using regular 24 VAC relays

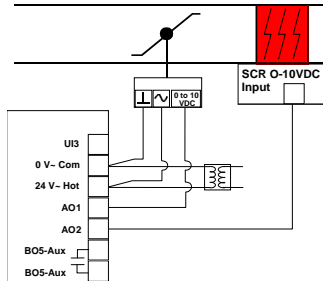
Set BO5 Time to 1= 10 seconds if using 24 VAC Solid State Relays (SSRs) for proportional control

Pressure dependent VAV cooling or heating system with local Analog duct reheat and central changeover

Analog VAV Actuator Heating and/or Cooling & Analog Duct Heater



Room Temperature Control
Min, Max and HeatFlow Positions Adjusted at Controller

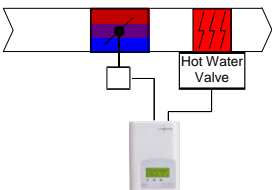


Mandatory
RehtConf = 1 =
Analog Duct Reheat Only

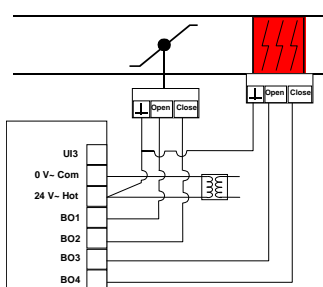
Set AO2RA/DA to DA if SCR input signal is Direct Acting 0 to 10 VDC

Set AO2RA/DA to RA if SCR input signal is Reverse Acting 10 to 0 VDC

Tri-State Floating VAV Heating and/or Cooling & Hot Water Reheat Valve



Room Temperature Control
Min, Max and HeatFlow Positions Adjusted at Controller



Mandatory
RehtConf = 1 =
Analog Duct Reheat Only

Remote sensor accessories

Model no.	Description
S3010W1000	Wall mounted temperature sensor
S2000D1000	Duct mounted temperature sensor

Remote mount temperature sensors use 10K NTC thermistor.

Temperature vs. Resistance Chart for 10 Kohm NTC Thermistor

($R_{25^{\circ}\text{C}} = 10\text{K}\Omega \pm 3\%$ - $B_{25/85^{\circ}\text{C}} = 3975\text{K} \pm 1.5\%$)

°C	°F	Kohm	°C	°F	Kohm	°C	°F	Kohm	°C	°F	Kohm	°C	°F	Kohm
-40	-40	324.3197	-20	-4	94.5149	0	32	32.1910	20	68	12.4601	40	104	5.3467
-39	-38	303.6427	-19	-2	89.2521	1	34	30.6120	21	70	11.9177	41	106	5.1373
-38	-36	284.4189	-18	0	84.3147	2	36	29.1197	22	72	11.4018	42	108	4.9373
-37	-35	266.5373	-17	1	79.6808	3	37	27.7088	23	73	10.9112	43	109	4.7460
-36	-33	249.8958	-16	3	75.3299	4	39	26.3744	24	75	10.4443	44	111	4.5631
-35	-31	234.4009	-15	5	71.2430	5	41	25.1119	25	77	10.0000	45	113	4.3881
-34	-29	219.9666	-14	7	67.4028	6	43	23.9172	26	79	9.5754	46	115	4.2208
-33	-27	206.5140	-13	9	63.7928	7	45	22.7861	27	81	9.1711	47	117	4.0607
-32	-26	193.9703	-12	10	60.3980	8	46	21.7151	28	82	8.7860	48	118	3.9074
-31	-24	182.2686	-11	12	57.2044	9	48	20.7004	29	84	8.4190	49	120	3.7607
-30	-22	171.3474	-10	14	54.1988	10	50	19.7390	30	86	8.0694	50	122	3.6202
-29	-20	161.1499	-9	16	51.3692	11	52	18.8277	31	88	7.7360	51	124	3.4857
-28	-18	151.6239	-8	18	48.7042	12	54	17.9636	32	90	7.4182	52	126	3.3568
-27	-17	142.7211	-7	19	46.1933	13	55	17.1440	33	91	7.1150	53	127	3.2333
-26	-15	134.3971	-6	21	43.8268	14	57	16.3665	34	93	6.8259	54	129	3.1150
-25	-13	126.6109	-5	23	41.5956	15	59	15.6286	35	95	6.5499	55	131	3.0016
-24	-11	119.3244	-4	25	39.4921	16	61	14.9280	36	97	6.2866	56	133	2.8928
-23	-9	112.5028	-3	27	37.5056	17	63	14.2629	37	99	6.0351	57	135	2.7886
-22	-8	106.1135	-2	28	35.6316	18	64	13.6310	38	100	5.7950	58	136	2.6886
-21	-6	100.1268	-1	30	33.8622	19	66	13.0307	39	102	5.5657	59	138	2.5926

S2000D1000; remote duct mounted temperature sensor c/w junction box.

This sensor can be used for:

- Remote return air temperature sensing with the sensor mounted on the return air duct.
- Outside air temperature sensing with the sensor installed in the fresh air plenum.
- Supply air temperature sensing.

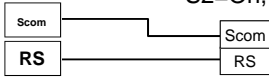


Fig.10 – Remote Duct Mounted Temperature Sensor

Wiring example of single remote room sensor:

VZ7260 Series Controller **S3010W1000 Remote wiring 1 sensor**
 S2=On, S3=On

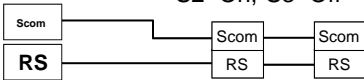
Dip switch setting for: **1 sensor**
 ON S2-1 = ON
 1 2 S2-2 = ON



Wiring examples of 2 remote room sensors for averaging applications:

VZ7260 Series Controller **2 x S3010W1000 Remote wiring 2 sensors**
 S2=On, S3=Off

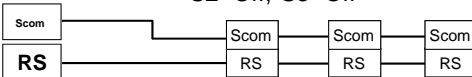
Dip switch setting for: **2 sensors**
 ON S2-1 = OFF
 1 2 S2-2 = ON



Wiring examples of 3 remote room sensors for averaging applications:

VZ7260 Series Controller **3x S3010W1000 Remote wiring 3 sensors**
 S2=Off, S3=Off

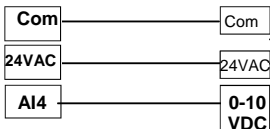
Dip switch setting for: **3 sensors**
 ON S2-1 = OFF
 1 2 S2-2 = OFF



CO2 sensor wiring

Wiring example of CO2 sensor:

VZ7260 Series Controller **Co2 Sensor**



CONFIGURING AND STATUS DISPLAY INSTRUCTIONS

Status display

The Terminal Equipment Controller features a two-line, eight-character display. There is a low backlight level that is always active and can only be seen at night.

When left unattended, the Terminal Equipment Controller has an auto scrolling display that shows the current status of the system.

Each item is scrolled sequentially with the back light in low level mode. Pressing any key will cause the back light to come on to high level.

Manual scrolling of each menu item is achieved by pressing the Yes (scroll) key repetitively. The last item viewed will be shown on the display for 30 seconds before returning to automatic scrolling. Temperature is automatically updated when scrolling is held.

Sequence of auto-scroll status display:



ROOM TEMPERATURE	OCCUPANCY STATUS	OUTDOOR TEMPERATURE
RoomTemp x.x °C or°F	Occupied	Outdoor x.x °C or°F
	Stand-By	
	Unoccup	
	Override	

Outdoor air temperature

- Outdoor air temperature display is only enabled when outdoor air temperature sensor is connected.
- A maximum range status display of 50 °C (122 °F) indicates a shorted sensor. Associated functions, such as mode lockouts and economizer function are automatically disabled.
- A minimum range status -40 °C (-40 °F) is not displayed and indicates a opened sensor or a sensor not connected. Associated functions, such as mode lockouts and economizer function are automatically disabled.

Occupancy Status

- Occupied, Stand-By, Unoccupied and Override status are displayed on the scrolling display.
- Two status LED's on the controller cover are used to indicate a call for heat or a call for cooling

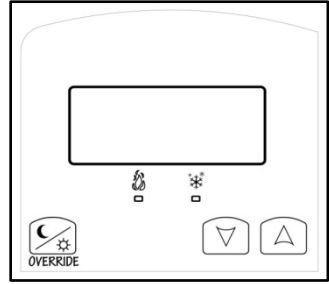
When heating & reheat is ON, the HEAT LED will illuminate	 ■
When cooling is ON, the COOL LED will illuminate	 ■

USER INTERFACE

User configuration menu

- **Unoccupied mode Override**

An Override can be made during an unoccupied period. If the Override option is enabled in the lockout configuration pressing the Override button will resume occupied setpoints for a time specified by the parameter; "ToccTime."



- **Keypad interface**

Override	An Override can be made during an Unoccupied period. If the Override option is enabled in the lockout configuration pressing the override key will resume occupied setpoints for a time specified by the parameter; "ToccTime."
Down	Adjust the setpoints down; <ul style="list-style-type: none"> ❖ In cooling mode only the cooling setpoint displayed. ❖ In heating mode only the heating setpoint displayed. ❖ In auto mode; (See below).
Up	Adjust the setpoints up; <ul style="list-style-type: none"> ❖ In cooling mode only the cooling setpoint displayed. ❖ In heating mode only the heating setpoint displayed. ❖ In auto mode; (See below).

1. Any setpoint change can be permanent or temporary based on configuration parameter (Setpoint Type).
2. Any setpoint written through the network will be permanent and cancel any active temporary setpoints.
3. Lockouts to access certain functions are made with configuration parameter (lockout).
4. If in Unoccupied period, pressing the Down button will display the following message on the display: "Press Override First".

Occupied setpoint adjustments




Local Zone Mode as Dictated by Attached Master RTU Controller		
RTU in cooling mode	RTU In heating mode	RTU in cooling mode with Local Reheat enabled <ul style="list-style-type: none"> • Setpoint presented to user is the setpoint from the last action taken by the controller or the one currently in use. • Both heating and cooling setpoints are changed simultaneously while respecting the minimum configured deadband. • If the other setpoint is the one desired, then the OVERRIDE button is used to toggle between the current displayed one and the other.
Cool XX.X °F or °C	Heat XX.X °F or °C	Cool XX.X °F or °C and Heat XX.X °F or °C Both heating & cooling setpoints are changed simultaneously

Unoccupied and Stand-By setpoints adjustments

Setting the Unoccupied and Stand-By setpoints is done through the network or through configuration setup only.

When in Unoccupied period, pressing the up or down button will display the following message on the display: "Press Override First".

Local keypad interface

	<ul style="list-style-type: none">An Override can be made during an unoccupied period. If the Override option is enabled in the lockout configuration pressing the override key will resume occupied setpoints for a time specified by parameter ToccTime
	<ul style="list-style-type: none">In cooling mode only the cooling setpoint is displayed,In heating mode only the heating setpoint is displayedIn auto mode, (See below)
	<ul style="list-style-type: none">In cooling mode only the cooling setpoint is displayed,In heating mode only the heating setpoint is displayedIn auto mode, (See below)

When left unattended for 45 seconds, the display will resume automatic status display scrolling.

To turn on the back light, press any key on the front panel. The back lit display will turn off automatically after 45 seconds.

INSTALLER CONFIGURATION PARAMETER MENU

Configuration can be done through the network or locally at the Terminal Equipment Controller.

- To enter configuration, press and hold the middle button (°C/°F or Override) for 8 seconds.
- If a password lockout is active, “*Password*” is prompted. Enter password value using the “*up*” and “*down*” arrows and press the middle button again to gain access to all configuration properties of the Terminal Equipment Controller. Entering a wrong password will prevent local access to the configuration menu.
- Press the same middle button repetitively to scroll between all the available parameters.
- Use the up and down key to change the parameter to the desired value.
- To acknowledge and save the new value, press the middle button again.
- The next parameter will now be displayed.

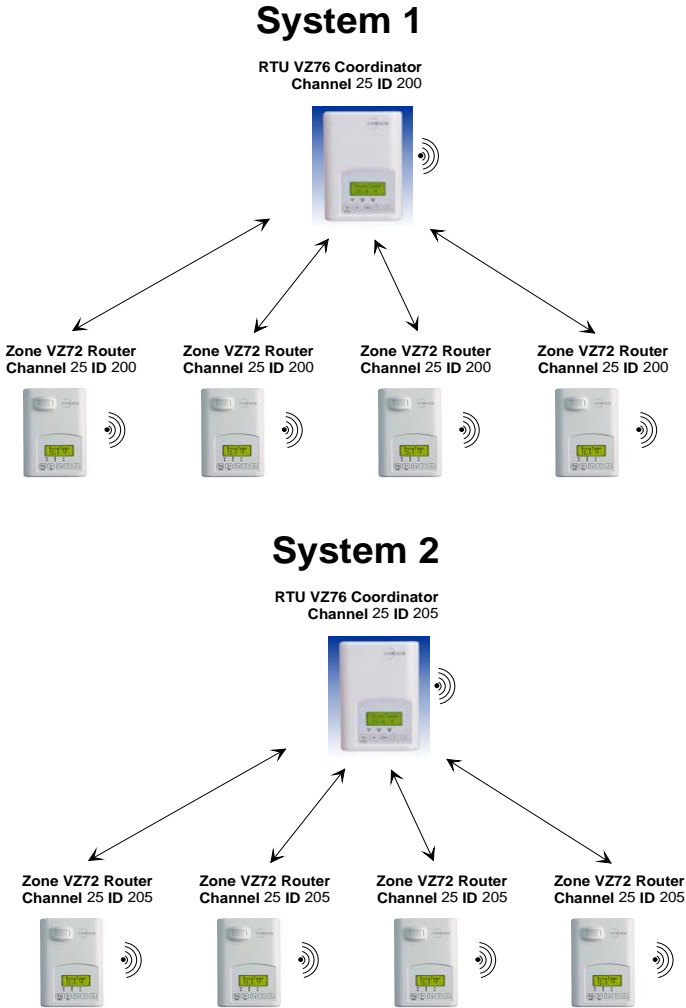
Configuration Parameters Default Value	Significance and Adjustments
<p>PswrdSet Configuration parameters menu access password Default value = 0 No password prompted</p>	<p>This parameter sets a password access to prevent unauthorized access to the configuration menu parameters. A default value of "0" will not prompt a password or lock the access to the configuration menu. Range is: 0 to 1000</p>
<p>Zone MAC Zone Controller Controller network address Default Value: 255</p>	<p>RTC MAC address must be unique for the entire network. 1 to 255 (Increments: 1 or 10) For BACnet™ models valid range to use is from 1 to 127.</p>
<p>PAN ID Personal Area Network Identification Default value = 0 Range is: 0 to 500</p>	<p>This parameter (Personal Area Network Identification) is used to link specific controllers to a single specific Viconics wireless gateway (VWG / Jace-Driver) or a specific VZ76 RTU controller. For every controller reporting to a VWG / Jace-Driver or VZ76 controller, be sure you set the <i>SAME</i> PAN ID value. The default value of 0 is NOT a valid PAN ID. The valid range of available PAN ID is from 1 to 500</p>

When PAN ID is used with a range of 251 to 500, for (SA) Stand-Alone Systems

In this application, the VZ76 controller(s) are the coordinators to their own system. I.E. they are the network masters for each VZ72 controller reporting to them.

- Wireless controller factory default Channel & PAN ID = Controller(s) offline
- VZ76 RTU controller is the network coordinator.
- Range of PAN ID on all controllers to use 251 to 500. This range is reserved for stand-alone system operation.

Examples:



Notes:

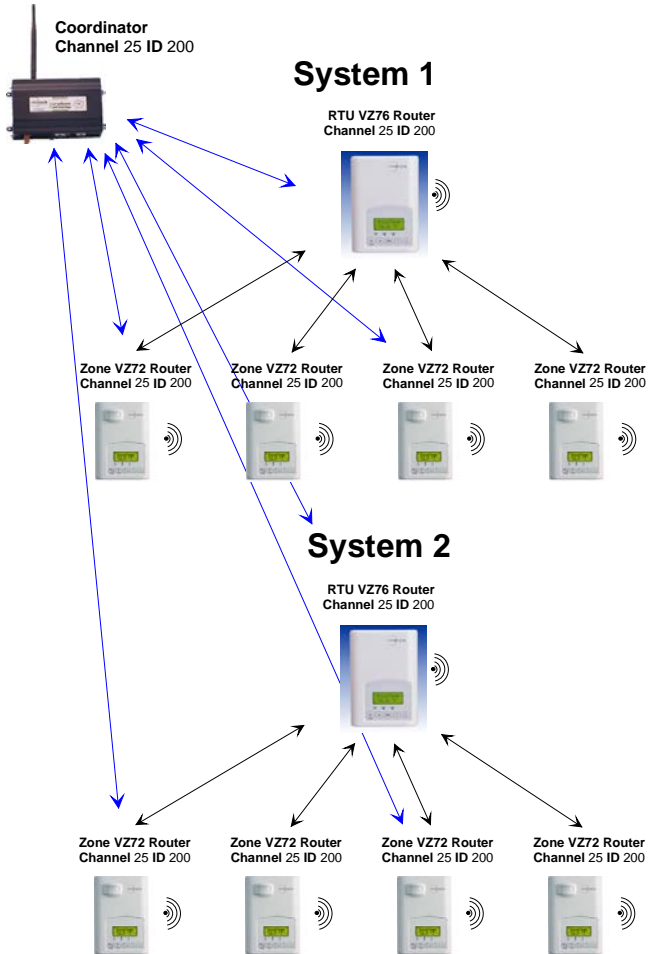
Each system with a VZ76 RTU master will use a unique PAN ID and / or Channel settings.

When PAN ID is used with a range of 1 to 250, for (NS) Networked Systems

In this application, any controller(s) are simply router to the system. The VWG / Jace-Driver is the coordinators to the system. I.E. the VWG / Jace-Driver is the network masters for **ANY** controller(s) reporting to them.

- Wireless controller factory default Channel & PAN ID = Controller(s) offline
- VWG Jace-Driver is the network coordinator
- Any controllers (VZ72's, VZ76xx RTU's or any VT7xxx wireless controllers) act as routers.
- Range of PAN ID on all controllers to use 1 to 250. Reserved for networked system operation.

Examples:



Notes:

- Each controller(s) to use same PAN ID and Channel as VWG Jace-Driver coordinator.
- VWG / Jace-Driver supports network integration for required GUI / System / Status objects.

<p>Channel</p> <p>Channel selection</p> <p>Default value = 10</p>	<p>Conditional parameter to Wireless models (VZ7260CX5x00W) only</p> <p>This parameter will only appear when a wireless network adapter is present. If the thermostat is installed with a BACnet adapter, this parameter will not be used or displayed</p> <p>This parameter (Channel) is used to link specific thermostats to specific Viconics wireless gateway(s) (VWG / Jace-Driver) or main VZ76 RTU thermostat. For any system, be sure you set the <i>SAME</i> channel value both at the network coordinator and all the VZ72 thermostat(s).</p> <p>Viconics recommends using only the following channels: 15, 25 & 26</p> <p>The default value of 10 is <i>NOT</i> a valid channel. The valid range of available channel is from 11 to 26</p> <p>Range is: 10 to 26</p>
<p>ZoneBaud</p> <p>Zone Thermostat Communication Baud Rate</p> <p>Default Value: 4 = Auto</p>	<p>Conditional parameter to BACnet MS-TP models (VZ7260CX5x00B) only</p> <p>This parameter will set the network's baud rate.</p> <p>0 = 9600 KBps 1 = 19200 KBps 2 = 38400 KBps 3 = 76800 KBps 4 = Auto Bauding (Baud Rate will match detected Baud Rate</p>

<p>Get From</p> <p>Controller Get From another device configuration utility</p> <p>Default value = 255 Range is: 1 to 255</p>	<p>Entering a new MAC address enabled an automatic routine that automatically fetches all the required configuration property of the current device from another one already configured to the same required property values. If another value than the default value of 255 is entered, user will then be prompted to exit the Configuration Menu.</p> <p>Ex.: If you are currently configuring MAC12 and the settings <u>exactly match</u> the settings of ZN MAC5, then enter 5 as the current parameter value.</p> <p>If the process is successful and all required configuration properties have been copied, the value will revert back to 255.</p> <p>If the process is <i>NOT</i> successful and all required configuration properties have NOT been copied (either the reference device is <i>NOT</i> the same model number or is offline or does not exists) the value will revert back to 254 to indicate the failure of the process.</p> <p>Leaving the Get From parameter to 255 means that every configuration parameters has to be set manually.</p>
<p>RTC MAC</p> <p>RTC Controller network address Default: 4</p>	<p>Master VZ76 RTU system controller to which current VZ72 Zone controller is attached 1 to 127 (Increments: 1 or 10)</p>
<p>MenuScro</p> <p>Menu scroll</p> <p>Default: On = Scroll active</p>	<p>Removes the scrolling display and only presents the room temperature to the user.</p> <p>With this option enabled, no status is given for occupancy and outdoor temperature.</p> <p>On = Scroll active Off = Scroll not active</p>
<p>C or F</p> <p>Sets the display scale of the controller Default: °F</p>	<p>°F for Fahrenheit scale °C for Celsius scale</p>

Lockout Keypad lockout levels Default value = 0 No lock	0 = No lock 1 = Low level 2 = Medium level 3 = High level
--	--

USER KEY FUNCTIONS

LEVEL	Occupied temperature setpoints	Local override only	Global override access
0			
1			
2			
3			

B11 Binary input no.1 configuration Default: None	<p>(None): No function will be associated with the input. Point can still be monitored through the BACnet™ network.</p> <p>(Motion NO): Used in Occupied Mode only to toggle from the Occupied setpoints to the Stand-By setpoints when no motion is detected for 60 minutes at the zone.</p> <p>When motion is detected at the zone, the Occupied setpoint resumes.</p> <p>Contact opened = No motion detected. Contact closed = Motion detected.</p> <p>(Motion NC): Used in Occupied Mode only to toggle from the Occupied setpoints to the Stand-By setpoints when no motion is detected for 60 minutes at the zone.</p> <p>When motion is detected at the zone, the Occupied setpoint resumes.</p> <p>Contact opened = Motion detected. Contact closed = No motion detected.</p>
---	--

A14 Analog input no.4 configuration Default: None	<p>(None): No function will be associated with the input. Point can still be monitored through the BACnet network.</p> <p>CO2: Used when a 0-10VDC CO2 sensor is connected to A14 input. The value of the input signal is displayed in A14 Dis parameter.</p>
--	---

RehtConf Number of Reheat Stages and their applications Default: 1 = Modulating Duct Reheat Only	0 = None Zone will operate in VAV heating or cooling only based on the Master RTU mode without any reheat. RTU in cooling mode uses Control Curve 1 RTU in heating mode uses Control Curve 2
	1 = Modulating Duct Reheat Only Zone will operate in VAV heating or cooling based on the Master RTU mode and uses the Modulating reheat output for a local Modulating duct reheat device like a proportional hot water valve or an SCR. The local reheat can be enabled or disabled based on the outdoor air temperature and AO2 OALK. RTU in cooling mode uses Control Curve 3 RTU in heating mode uses Control Curve 4
	2 = On-Off Duct Reheat Only Zone will operate in VAV heating or cooling based on the Master RTU mode and uses the On-Off reheat output for a local On-Off duct reheat device like a 2 position hot water valve or a single electric duct heater. The local reheat can be enabled or disabled based on the outdoor air temperature and BO5 OALK. RTU in cooling mode with On-Off Reheat (BO5 Time=0=15 minutes) uses Control Curve 5b RTU in cooling mode with On-Off Pulsed Reheat (BO5 Time=1=10 seconds) uses Control Curve 5a RTU in heating mode with reheat uses Control Curve 6
	3 = On-Off Perimeter Reheat Only Zone will operate in VAV heating or cooling based on the Master RTU mode and uses the On-Off reheat output for a local On-Off perimeter reheat device like a 2 position hot water valve or a electric baseboard unit. The local reheat can be enabled or disabled based on the outdoor air temperature and BO5 OALK. RTU in cooling mode uses Control Curve 7 RTU in heating mode uses Control Curve 6
	4 = Modulating Duct Reheat & On-Off Perimeter Reheat Zone will operate in VAV heating or cooling based on the Master RTU mode and uses 2 stages of local reheat. The first reheat stage will use the modulating reheat output for a local modulating duct reheat device like a proportional hot water valve or an SCR. The local reheat stage can be enabled or disabled based on the outdoor air temperature and AO2 OALK. The second reheat stage will use the On-Off reheat output for a local On-Off perimeter reheat device like a 2 position hot water valve or a electric baseboard unit. The local reheat stage can be enabled or disabled based on the outdoor air temperature and BO5 OALK RTU in cooling mode uses Control Curve 9 RTU in heating mode uses Control Curve 10

5 = Duct heater & On-Off/Pulsed perimeter reheat (All electric)

Zone will operate in VAV heating or cooling based on the Master RTU mode and use 2 stages of local reheat.

The first reheat stage will use the modulating BO5 reheat output (10s or 15m cycles) for a local modulating electric duct reheat device with a 24 Vac fired SSR. The local reheat stage can be enabled or disabled based on the outdoor air temperature and BO5 OALK

The second reheat stage will use the reheat output BO3 (15m cycles) and/or BO4 (10s cycles) for a local On-Off/Pulsed perimeter reheat device like a 2 position electric baseboard unit. The local reheat stage can be enabled or disabled based on the outdoor air temperature and FO2 OALK

<p>AO2RA/DA</p> <p>RA/DA</p> <p>Reverse acting or Direct acting actuator signal for Reheat 1 Analog output signals</p> <p>Default: DA signal</p>	<p>Changes the action of the reheat 1 analog output.</p> <p>Valid only if analog reheat sequences are enabled</p> <p>DA = Direct acting 0 to 100 % = 0 to 10 VDC</p> <p>RA = Reverse acting 0 to 100 % - 10 to 0 VDC</p> <p>VZ7260F5x00B models only</p>
<p>AO2 OALK</p> <p>Zone's analog reheat (AO2) outside air temperature lockout</p> <p>Default: 55°F (13°C)</p>	<p>Outdoor air temperature value from the RTU controller under which the analog reheat stage will be allowed to be used.</p> <p>Function will only be enabled if a valid outside air temperature value is received at the zone.</p> <p>-40 to 122 °F (-40.0 to 50.0 °C) (Increments: 5° or 50°)</p> <p>VZ7260F5x00B models only</p>
<p>FL TM Dp</p> <p>Floating damper actuator timing – Output BO1-BO2</p> <p>Default: 1.5 minutes</p>	<p>Maximum stroke time of floating damper actuator</p> <p>Output BO1-BO2.</p> <p>0.5 to 9.0 in 0.5 minutes increment</p> <p>VZ7260C5x00B models only</p>
<p>FL TM Rh</p> <p>Floating damper actuator timing – Output BO3-BO4</p> <p>Default: 1.5 minutes</p>	<p>Maximum stroke time of floating damper actuator</p> <p>Output BO3-BO4.</p> <p>0.5 to 9.0 in 0.5 minutes increment</p> <p>VZ7260C5x00B models only</p>
<p>FO2 OALK</p> <p>Zone's BO3-BO4 reheat floating output outside air temperature lockout</p> <p>Default: 55°F (13°C)</p>	<p>Outdoor air temperature value from the RTU controller under which the BO3-BO4 reheat output stage will be allowed to be used</p> <p>Function will only be enabled if a valid outside air temperature value is received at the zone.</p> <p>-40 to 122 °F (-40.0 to 50.0 °C) (Increments: 5° or 50°)</p> <p>VZ7260C5x00B models only</p>
<p>BO5 OALK</p> <p>Zone's On-Off reheat (BO5) outside air temperature lockout</p> <p>Default: 32°F (0°C)</p>	<p>Outdoor air temperature value from the RTU controller under which the On-Off reheat stage will be allowed to be used.</p> <p>Function will only be enabled if a valid outside air temperature value is received at the zone.</p> <p>-40 to 122 °F (- 40.0 to 50.0 °C) (Increments: 5° or 50°)</p>

<p>BO5 Time</p> <p>Sets the time base for the ON-Off reheat output if used</p> <p>Default: 0 = 15 minute</p>	<p>Valid only if reheat sequences are enabled with BO5</p> <p>0= 15 minutes 1= 10 seconds for Solid state relays</p>
<p>BO5 cont</p> <p>BO5 contact function</p> <p>Default value = 0 = NO</p>	<p>Enables the use of normally opened or normally closed 2 position reheat valves.</p> <p>0 = NO, Energized = Contact Closed / De-energized = Contact Opened 1 = NC, Energized = Contact Opened / De-energized = Contact Closed</p>
<p>St-By TM</p> <p>Stand-by Timer value</p> <p>Default 0.5 hours</p>	<p>Time delay between the moment when the PIR cover detected the last movement in the area and the time when the controller's stand-by mode and setpoints become active.</p> <p>Range is: 0.5 to 24.0 hours in 0.5hr increments.</p>
<p>Unocc TM</p> <p>Unoccupied Timer value</p> <p>Default 0.0 hours</p>	<p>Time delay between the moment where the controller toggles to stand-by mode and the time which the controller unoccupied mode and setpoints become active.</p> <p>The factory value or 0.0 hours: Setting this parameter to its default value of 0.0 hours disables the unoccupied timer. This prevents the controller to drift from stand-by mode to unoccupied mode when PIR functions are used.</p> <p>Range is: 0.0 to 24.0 hours in 0.5hr increments.</p>
<p>Unocc HT</p> <p>Unoccupied heating setpoint</p> <p>Default: 62 °F (17°C)</p>	<p>Unoccupied heating setpoint adjustment.</p> <p>Heating setpoint range is: 40 to 90 °F (4.5 to 32.0 °C)</p> <p>(Increments:0.5° or 5°)</p>
<p>Unocc CL</p> <p>Unoccupied cooling setpoint limit</p> <p>Default: 80 °F (27°)</p>	<p>Unoccupied cooling setpoint adjustment.</p> <p>Cooling setpoint range is: 54 to 100 °F (12.0 to 37.5 °C) (Increments: .5° or 5°)</p>

<p>St-By HT</p> <p>Stand-by heating setpoint</p> <p>Default: 65 °F (18°C)</p>	<p>Stand-by heating setpoint adjustment. This setpoint will be used if there is a motion detector connected and configured on BI1 or a PIR sensor cover used.</p> <p>Heating setpoint range is: 40 to 90 °F (4.5 to 32.0 °C)</p>
<p>St-By CL</p> <p>Stand-by cooling setpoint limit</p> <p>Default: 75 °F (24°C)</p>	<p>Stand-by cooling setpoint adjustment. This setpoint will be used if there is a motion detector connected and configured on BI1 or a PIR sensor cover used.</p> <p>Cooling setpoint range is: 54 to 100 °F (12.0 to 37.5 °C)</p>
<p>Set Type</p> <p>Temporary user setpoints enable</p> <p>Default: permnent</p>	<p>Enables temporary setpoints feature to any local change of occupied setpoints.</p> <p>temporar: (temporary) Any new setpoints entered by the user will revert back to their default value after internal timer ToccTime expires.</p> <p>To change setpoints permanently, revert to No this variable or write new setpoint values through the network. Any setpoints written through the network will be permanent ones and saved to permanent memory.</p> <p>permnent: (permanent) Any changes of occupied setpoints entered by the user through the keypad are permanent and saved to permanent memory.</p>
<p>TOccTime</p> <p>Temporary occupancy time</p> <p>Default value = 2 hours</p>	<p>Temporary occupancy time with occupied mode setpoints when override function is enabled.</p> <p>When the controller is in unoccupied mode, function is enabled with the local override keypad button.</p> <p>Range is: 0,1, 2, 3, 4 & up to 12 hours (Increments: 1 hr or 10 hr)</p>
<p>Cal RS</p> <p>Room air temperature sensor calibration</p> <p>Default: 0.0 °F or °C</p>	<p>Offset that can be added or subtracted to actual displayed and used room temperature</p> <p>± 5.0 °F, 1.0 °F increments (± 2.5 °C, 0.5 °C increments)</p>
<p>Deadband</p> <p>Minimum deadband</p> <p>Default: 2.0 °F (1.0 °C)</p>	<p>Minimum deadband value between the heating and cooling setpoints. If modified, it will be first applied only when a setpoint is modified.</p> <p>2, 3, 4 or 5 °F, 1.0 °F increments (1.0 to 2.5 °C, 0.5 °C increments)</p>

<p>Pband</p> <p>Proportionnal band setting</p> <p>Default is : 3</p>	<p>Adjust the proportional band used by the controller PI control loop.</p> <p>Warning. Note that the default value of 3.0 °F (1.2 °C) gives satisfactory operation in most normal installation cases. The use of a superior proportional band different than the factory one is normally warranted in applications where the controller location is problematic and leads to unwanted cycling of the unit. A typical example is a wall mounted unit where the controller is installed between the return and supply air feeds and is directly influenced by the supply air stream of the unit.</p> <table border="1" data-bbox="451 457 892 751"> <thead> <tr> <th>Value</th> <th>F scale</th> <th>C scale</th> </tr> </thead> <tbody> <tr> <td>3</td> <td>3 F</td> <td>1.7 C</td> </tr> <tr> <td>4</td> <td>4 F</td> <td>2.2 C</td> </tr> <tr> <td>5</td> <td>5 F</td> <td>2.8 C</td> </tr> <tr> <td>6</td> <td>6 F</td> <td>3.3 C</td> </tr> <tr> <td>7</td> <td>7 F</td> <td>3.9 C</td> </tr> <tr> <td>8</td> <td>8 F</td> <td>4.4 C</td> </tr> <tr> <td>9</td> <td>9 F</td> <td>5.0 C</td> </tr> <tr> <td>10</td> <td>10 F</td> <td>5.6 C</td> </tr> </tbody> </table>	Value	F scale	C scale	3	3 F	1.7 C	4	4 F	2.2 C	5	5 F	2.8 C	6	6 F	3.3 C	7	7 F	3.9 C	8	8 F	4.4 C	9	9 F	5.0 C	10	10 F	5.6 C
Value	F scale	C scale																										
3	3 F	1.7 C																										
4	4 F	2.2 C																										
5	5 F	2.8 C																										
6	6 F	3.3 C																										
7	7 F	3.9 C																										
8	8 F	4.4 C																										
9	9 F	5.0 C																										
10	10 F	5.6 C																										
<p>Heat max</p> <p>Maximum local heating setpoint limit</p> <p>Default: 90 °F (32 °C)</p>	<p>Maximum local occupied heating user setpoints adjustments.</p> <p>Heating setpoint range is: 40 to 90 °F (4.5 to 32.0 °C) (Increments: 0.5° or 5°)</p>																											
<p>Cool min</p> <p>Enable / Disable damper minimum position.</p> <p>Default : On</p>	<p>Enables or disabled the damper minimum position (parameter Min PO) if the controller cooling or heating demand is not the same as the zone sequence. Example: if controller calls for heating and the zone sequence is Cool (sent by the VZ76xx master controller).</p> <p>On = Enable Minimum Position Off = Disable Minimum Position</p>																											
<p>DisMinPo</p> <p>Enable / Disable damper minimum position</p> <p>Default : On</p>	<p>Enables or disabled the damper minimum position (parameter Min PO) if the controller cooling or heating demand is not the same as the zone sequence. Example: if controller calls for heating and the zone sequence is Cool (sent by the VZ76xx master controller).</p> <p>On = Enable Minimum Position Off = Disable Minimum Position</p>																											

<p>Min Pos Zone damper minimum position Default : 10%</p>	<p>Sets the minimum position of the damper. 0 to 100% (Increments: 1% or 10%)</p>
<p>Max Pos Zone damper maximum position Default : 100%</p>	<p>Sets the maximum position of the damper for both heating and cooling mode of the RTU. 0 to 100% (Increments: 1% or 10%)</p>
<p>MaxHTPos Zone damper Maximum heating position Default : 30%</p>	<p>Opens the damper up to this maximum position when the primary air is cold and used only when the RTU is in cooling mode and there is a local call for reheat using the reheat output(s). This will maximize the efficiency and delivery of a duct mounted reheat device by augmenting the airflow on a single duct VAV. 0 to 100% (Increments: 1% or 10%)</p>
<p>PIHT Wei PI heating weight zone output used for RTU controller demand calculations Default value: 100%</p>	<p>Weight of the zone in the calculation of the PI Heating Demand calculation of the RTU controller. If a zone has a special application (servers room, mechanical room, etc) and have impact on other rooms' comfort, this parameter can be set to 0%. Please refer to the Zoning System Application Guide for more information that impacts systems operation. Set all heating weight to 0% if the RTU is cooling only. Valid range: 0%, 25%, 50%, 75% and 100%</p>
<p>PICL Wei PI cooling weight zone output used for RTU controller demand calculations Default value: 100%</p>	<p>Calculation of the RTU controller. If a zone has a special application (servers room, mechanical room, etc) and have impact on other rooms' comfort, this parameter can be set to 0%. Please refer to the Zoning System Application Guide for more information that impacts systems operation. Valid range: 0%, 25%, 50%, 75% and 100%</p>
<p>HT Perfo Controller's heating performance Default value: 0%</p>	<p>Not a configuration parameter. Only displays the controller's performance in heating mode. This value is only valid if there's no change in system mode, setpoints or occupancy for at least 1.5 hours. These changes cause the value to reset to an invalid value (above 20°F)</p>

<p>CL Perfo</p> <p>Controller's cooling performance</p> <p>Default value: 0%</p>	<p>Not a configuration parameter. Only displays the controller's performance in cooling mode.</p> <p>This value is only valid if there's no change change in system mode, setpoints or occupancy for at least 1.5 hours. These changes cause the value to reset to an invalid value (above 20°F)</p>
<p>UI3 Dis</p> <p>UI3 display value</p>	<p>Used as diagnostic / service help to troubleshoot and diagnose sensor operation</p> <p>Supply or Discharge temperature</p>
<p>CO2</p> <p>Room CO2 value</p>	<p>Used as diagnostic / service help to troubleshoot and diagnose sensor operation. This value is displayed only if AI4 parameter is set to CO2.</p> <p>0 to 2000 ppm</p>

AI4 INPUT FOR CO2 SENSOR

The VZ7260X5x00B series features a 0-10VDC CO2 sensor input which value can be used by the VZ7656E1000B controller for Indoor Air Quality (AIQ) control.

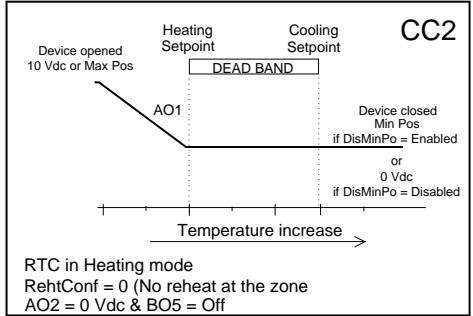
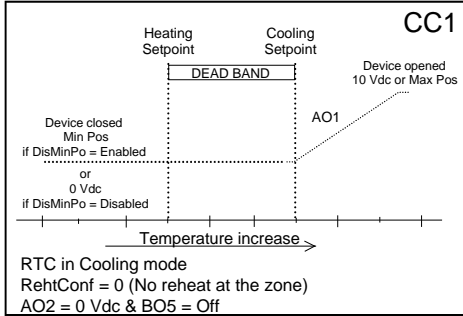
Here's the table showing the CO2 value treatment based on the AI4 parameter setting:

AI4 parameter setting	CO2 display at the controller	Value Written to VZ7656E1000B	Room CO2 Value available in ppm (BACnet object)	AI4 Value available in VDC (BACnet object)
None	NO	NO	NO	YES
CO2	YES	YES (Only in Occupied mode)	YES	YES

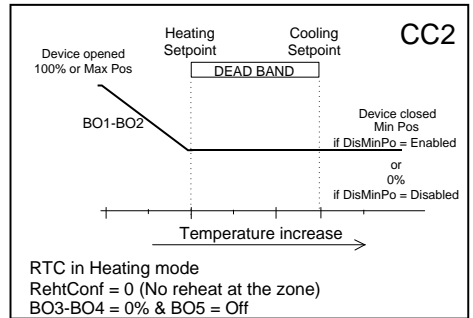
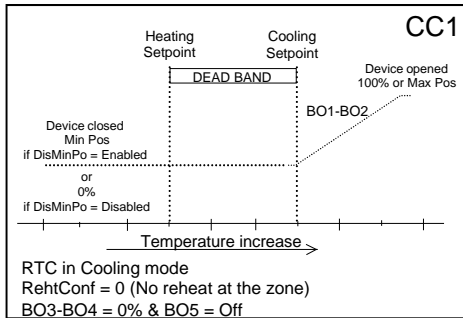
REFERENCED OPERATIONAL CONTROL CURVES

RehtConf = 0 = None

VZ7260F Series: Analog Outputs

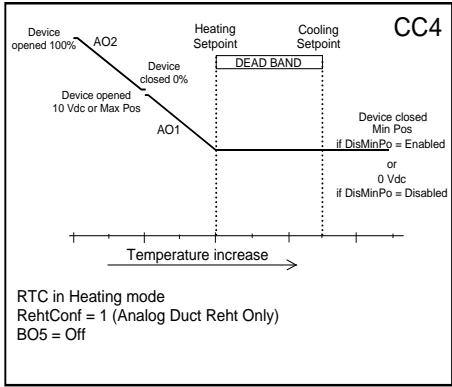
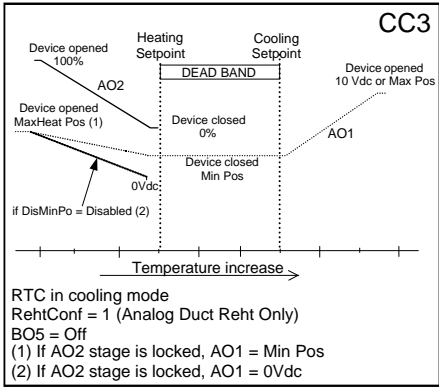


VZ7260C Series: Floating Outputs

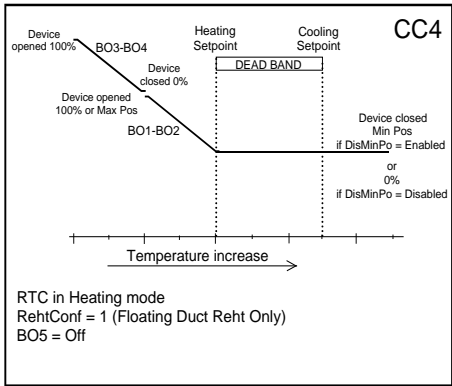
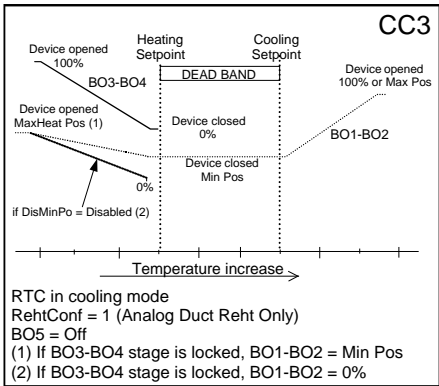


RehtConf = 1 = Analog Duct Reheat Only

VZ7260F Series: Analog Outputs

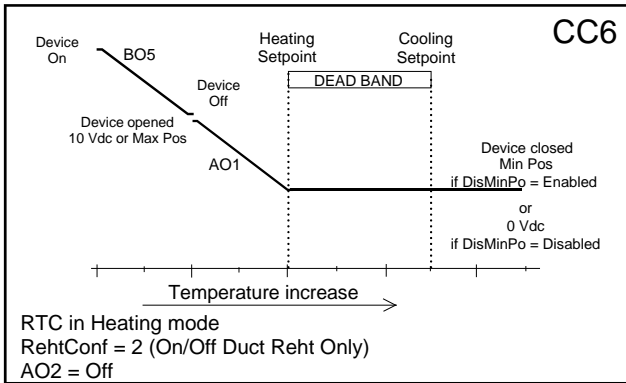
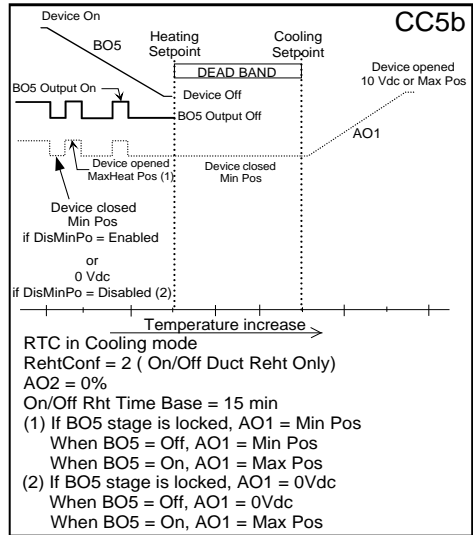
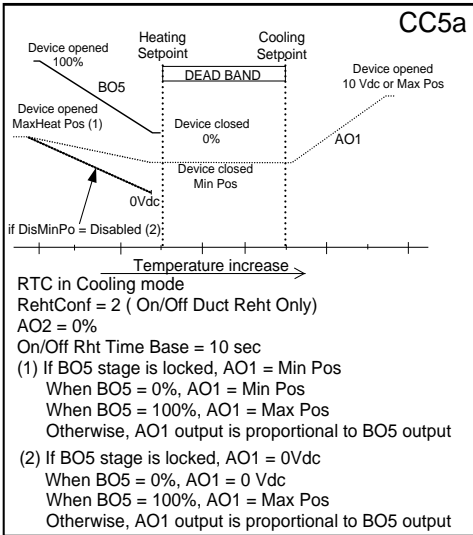


VZ7260C Series: Floating Outputs



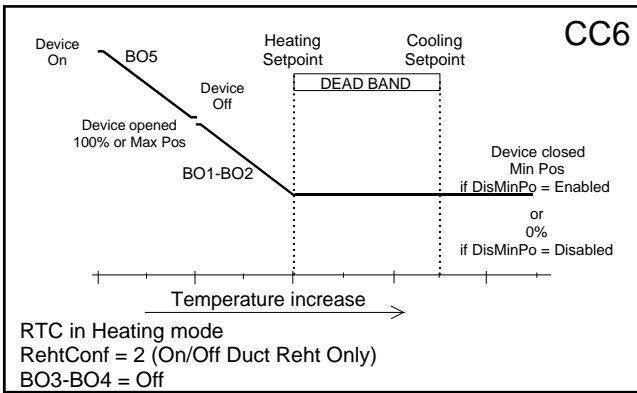
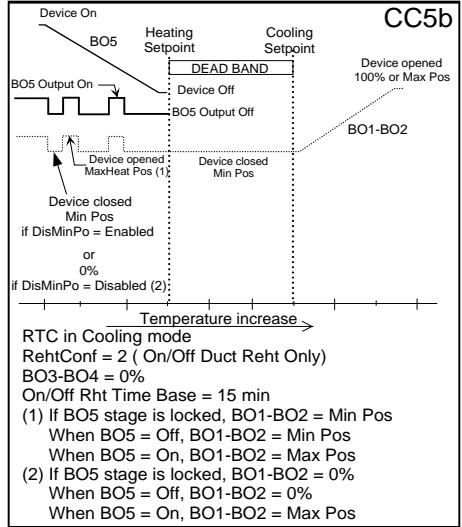
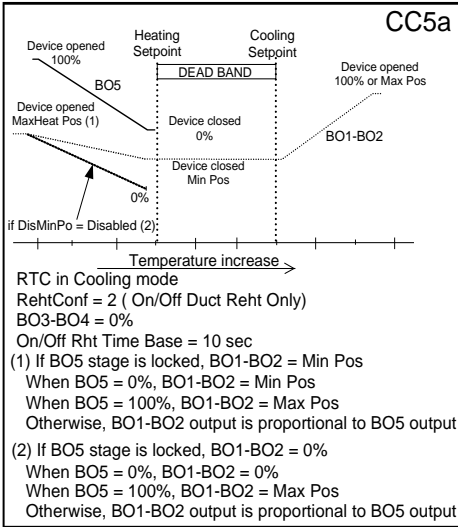
RehtConf = 2 = On-Off Duct Reheat Only

VZ7260F Series: Analog Outputs



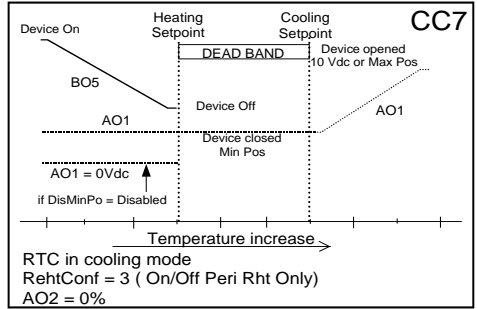
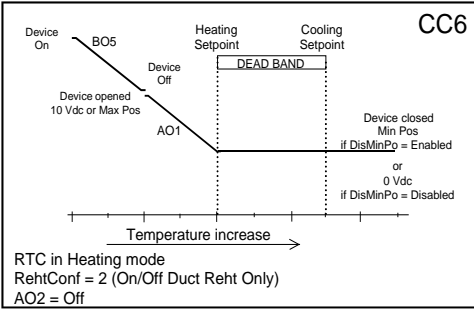
10

VZ7260C Series: Floating Outputs

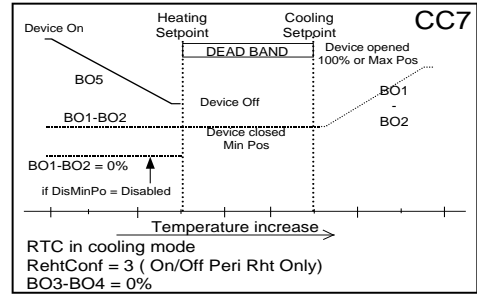
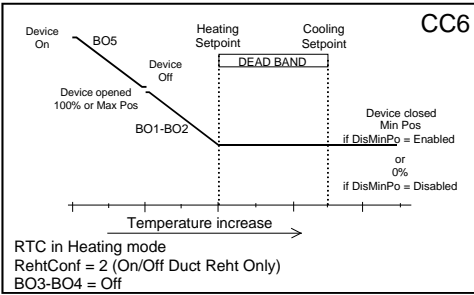


RehtConf = 3 = On-Off Perimeter Reheat Only

VZ7260F Series: Analog Outputs

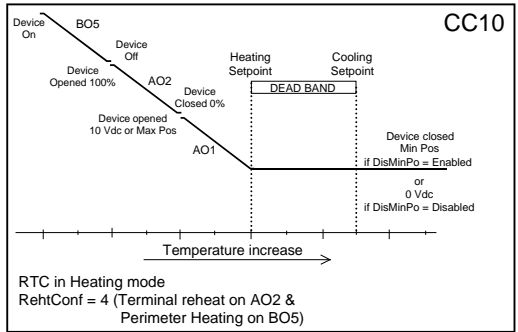
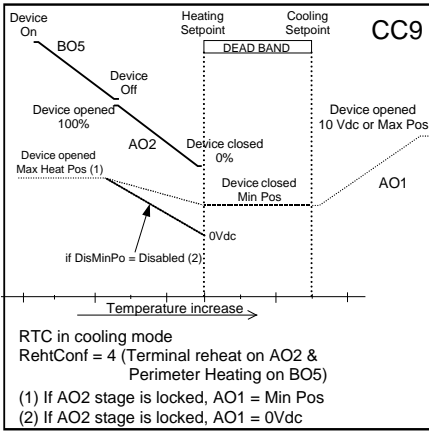


VZ7260C Series: Floating Outputs

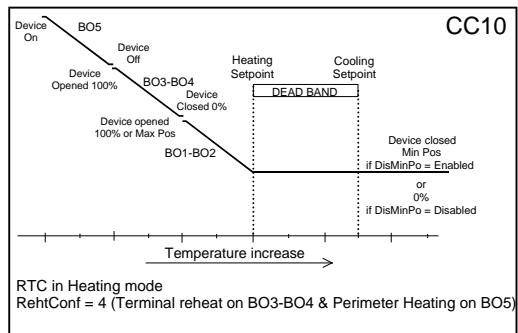
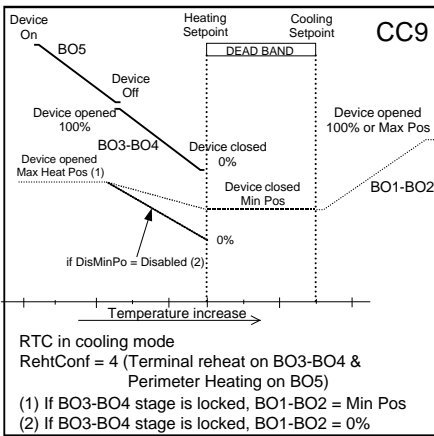


RehtConf = 4 = Analog Duct Reheat & On-Off Perimeter Reheat

VZ7260F Series: Analog Outputs

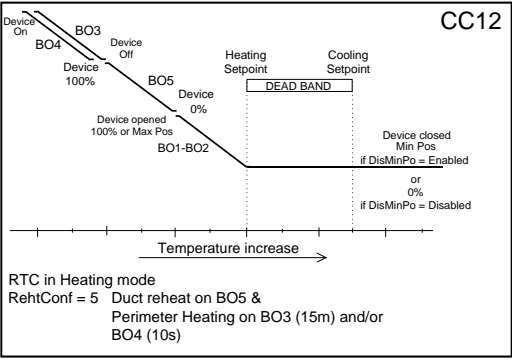
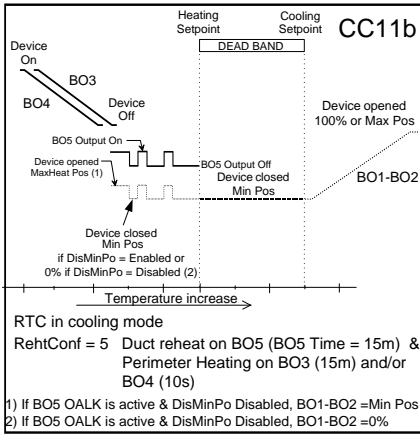
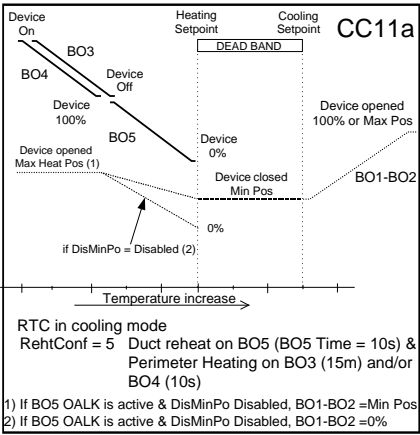


VZ7260C Series: Floating Outputs



RehtConf = 5 = Pulsed Duct heater & On-Off/Pulsed perimeter reheat (All electric)

VZ7260C Series: Floating Outputs



SPECIFICATIONS

Terminal Equipment Controller power

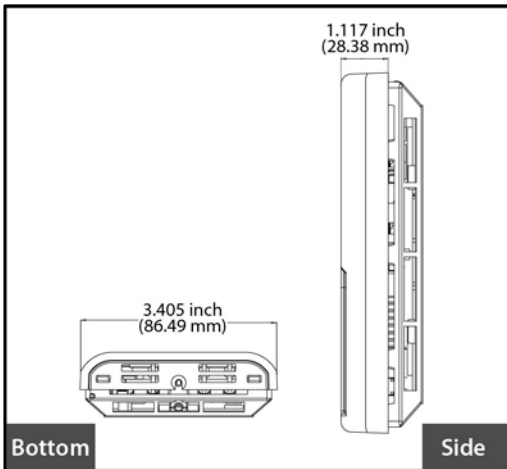
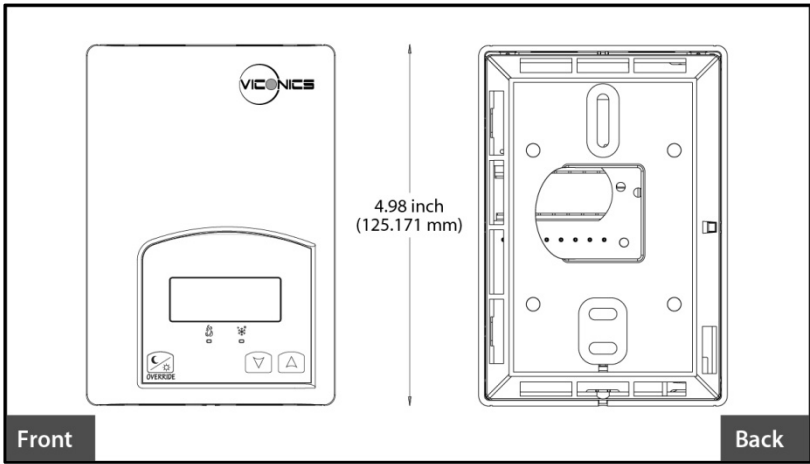
requirements:	19-30 VAC 50 or 60 Hz; 2 VA Class 2
Operating conditions:	0 °C to 50 °C (32 °F to 122 °F) 0% to 95% R.H. non-condensing
Storage conditions:	-30 °C to 50 °C (-22 °F to 122 °F) 0% to 95% R.H. non-condensing
Sensor:	Local 10 K NTC thermistor
Resolution:	± 0.1 °C (± 0.2 °F)
Temperature control accuracy:	± 0.5 °C (± 0.9 °F) @ 21 °C (70 °F) typical calibrated
Contact output rating:	Relay outputs: 30 VAC, 1 Amp. Maximum, 3 Amp. In-rush. 0 to 10 VDC into 2 KΩ resistance min. 12.0 to 37.5 °C (54 to 100 °F)
Occ, Stand-By and Unocc cooling setpoint range:	4.5 °C to 32 °C (40 °F to 90 °F)
Occ, Stand-By and Unocc heating setpoint range:	-40 °C to 50 °C (-40 °F to 122 °F)
Room and outdoor air temperature display range:	Cooling & Heating: 1.8°C (3.2°F)
Proportional band for room temperature control:	Dry contact across terminal B11 & UI3 to Scom
Binary inputs:	
AI4 Analog input:	0 to 10 VDC into 10KΩ resistance min.
Wire gauge:	18 gauge maximum, 22 gauge
Approximate shipping weight:	0.75 lb (0.34 kg)
Agency Approvals all models:	UL: UL 873 (US) and CSA C22.2 No. 24 (Canada), File E27734 with CCN XAPX (US) and XAPX7 (Canada) Industry Canada: ICES-003 (Canada)
Agency Approvals all models:	FCC: Compliant to CFR 47, Part 15, Subpart B, Class A (US) CE : EMC Directive 2004/108/EC (Europe Union) C-Tick: AS/NZS CISPR 22 Compliant (Australia / New Zealand) Supplier Code Number N10696
Agency Approvals Wireless models:	FCC: Compliant to: Part 15, Subpart B, Class (US)

THIS DEVICE COMPLIES WITH PART 15 OF THE FCC RULES. OPERATION IS SUBJECT TO THE FOLLOWING TWO CONDITIONS: (1) THIS DEVICE MAY NOT CAUSE HARMFUL INTERFERENCE AND (2) THIS DEVICE MUST ACCEPT ANY INTERFERENCE RECEIVED, INCLUDING INTERFERENCE THAT MAY CAUSE UNDESIRE OPERATION



Please check with your local government for instruction on disposal of this product

DRAWING & DIMENSIONS



Viconics Technologies Inc.
9245 Langelier Blvd. | St-Leonard | Quebec | Canada | H1P 3K9
Tel.: (514) 321.5660 | Fax: (514) 321.4150 Toll free: 1 800.563.5660
sales@viconics.com | www.viconics.com