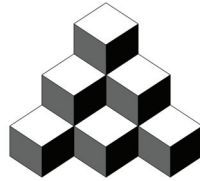




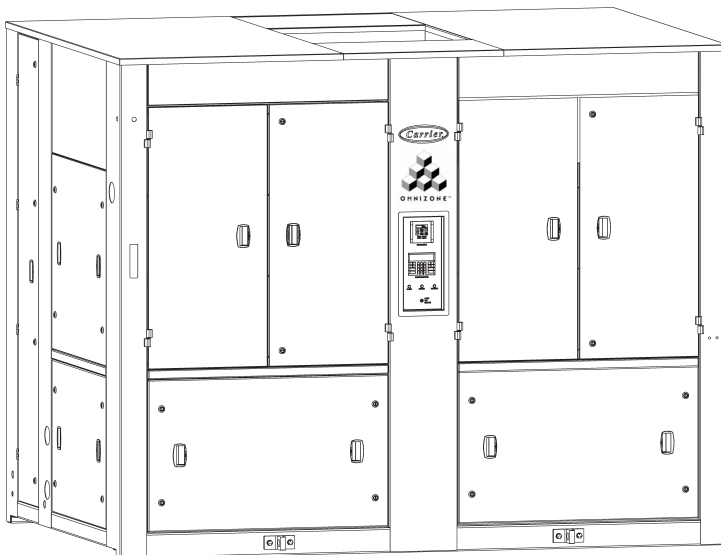
Product Data

OMNIZONE™ 50XJ064-104 Water-Cooled Indoor Self-Contained Systems

60 to 100 Nominal Tons



OMNIZONE™



Carrier's 50XJ OMNIZONE™ units are self-contained, water-cooled indoor vertical packaged cooling units for variable air volume (VAV) applications. Units are completely factory wired, piped and charged, ready for installation. 50XJ units have vertical air discharge or horizontal with optional acoustical plenum and open or ducted rear air return. Units include a direct expansion evaporator coil, compressors, water-cooled cleanable condensers, and a single belt drive evaporator fan with VFD (Variable Frequency Drive) controlled motor and complete microprocessor control system. An optional water economizer and hot water or steam heating may also be added. These fully painted, vertical package units offer flexible economical air conditioning for today's office environment.

Features/Benefits

- Heavy gage structural frame with base rail and lifting lugs.
- Four independent circuits with scroll compressor on vibration mounts in acoustically lined compressor compartment.
- Multiple compressor selections for each fan size to allow matching load while maintaining optimum part load performance.
- Each compressor is equipped with a mechanically cleanable shell and tube condenser rated for 150 psi water side working pressure.
- Evaporator coils are 6-row 12-fin per inch aluminum plate fins mechanically bonded to copper tubes. Coils are fully intertwined full face active for best humidity control.
- One double inlet forward curve fan, statically and dynamically balanced,



- mounted on a fully spring isolated mounting frame with 2-in. deflection spring isolators and flexible fan discharge collar.
- Bearings are L-50 life at 200,000 hours with grease connection.
- Three-phase evaporator-fan motor compatible with use on variable frequency drive with thermal overload protection.
- Factory-mounted Variable Frequency Drive sized to handle full motor operating current at full load operation. Provided with duct static pressure sensor.
- Full double wall construction in the evaporator section.
- Microprocessor control system with unit-mounted display to control unit as stand alone, CCN (Carrier Comfort Network) or network operation.
- Unit control panel with local/off/remote switch, alarm indicator lights, VFD display and unit interface panel.
- Baked enamel painted cabinet will meet 500 hr salt spray requirements.
- High and low pressure switches and frost protection on each circuit.
- Filter drier, moisture indicator/sight glass and adjustable thermostatic expansion valves (TXV) on each circuit mounted outside the airstream.
- Stainless steel sloped condensate pan with internal trap.
- Single point electrical connections and piping connections.
- Filter frame for 2-in. or 4-in. disposable type filters.
- High discharge static pressure control standard.
- Dirty filter switch provided as standard.
- All units are ETL, UL and UL, Canada listed and rated in accordance with ARI 340/360.
- Standard one-year product warranty.

Table of contents

| | Page |
|-------------------------------------|-------|
| Features/Benefits | 1, 2 |
| Model Number Nomenclature | 3 |
| ARI Capacity Ratings | 4 |
| Physical Data | 5-8 |
| Options and Accessories | 9 |
| Base Unit Dimensions | 10-12 |
| Accessory Dimensions | 13 |
| Selection Procedure | 14 |
| Performance Data | 14-69 |
| Electrical Data | 70-72 |
| Typical Wiring Schematics | 73-77 |
| Controls | 78-80 |
| Guide Specifications | 81-85 |

Model number nomenclature



Model Series
50XJ – OMNIZONE™ Single-Package Water-Cooled Unit

Compressor Options
 Quantity and nominal capacity of compressors depends on nominal unit size (see table below)

Nominal Unit Size
064 – 60 Tons
074 – 70 Tons
084 – 80 Tons
084 – 90 Tons
104 – 100 Tons

Economizer Option
 – – None
A – 2-Position Isolation Valves (No Economizer)
B – Water Regulating Valve (No Economizer)
C – Water Regulating Valve with Bypass (No Economizer)
D – 4-Row Cleanable Econo. - Constant Flow
E – 4-Row Cleanable Econo. - Variable Flow
G – 4-Row Economizer - Constant Flow
H – 4-Row Economizer - Variable Flow

Motor Option

| HP | ODP HIGH | ODP PREM* | TEFC |
|---------|-----------------------------|-----------|------|
| 7-1/2 | B | M | 1 |
| 10 | C | N | 2 |
| 15 | D | P | 3 |
| 20 | E | Q | 4 |
| 25 | F | R | 5 |
| 30 | G | S | 6 |
| 40 | H | T | 7 |
| 50 | H | U | 8 |
| 064 | Valid Range is 7.5 to 40 hp | | |
| 074,084 | Valid Range is 10 to 40 hp | | |
| 094,104 | Valid Range is 15 to 50 hp | | |

For Factory-Installed Options Code*

Packaging
1 – Domestic
2 – Domestic with Bag

Design Changes
0 – Original
X – Quote Control

Voltage Description
1 – 575-3-60
5 – 208/230-3-60 (not available on sizes 094, 104)
6 – 460-3-60

VFD & Control Options
A – Oversized VFD
B – Oversized VFD with Bypass
C – Disconnect Only
D† – Phase Protection Only
E† – Disconnect & Phase Protection Only
F – Oversized VFD with Disconnect
G† – Oversized VFD with Phase Protection
H† – Oversized VFD with Disc. and Phase
J – Oversized VFD with Bypass and Disc.
K† – Oversized VFD with Bypass and Phase
L† – Over VFD with Bypass Disc. and Phase
M – Equal Sized VFD (Standard)
N – Equal Sized VFD and Bypass
P – Equal Sized VFD with Disconnect
Q† – Equal Sized VFD with Phase Protection
R† – Equal Sized VFD and Disconnect, Phase
S – Equal Sized VFD with Bypass, Disconnect
T – Equal Sized VFD with Bypass, Phase
U* – Equal with Bypass, Disconnect, Phase

LEGEND
ODP – Open Drip Proof
TEFC – Totally Enclosed Fan Cooled
VFD – Variable Frequency Drive

*Refer to 50XJ price pages or contact your local Carrier representative for a list of factory-installed options.
 †Not available for 575 v.

COMPRESSOR OPTIONS

| UNIT SIZE 50XJ | COMPRESSOR OPTION | COMPRESSORS (Quantity - Type) |
|-------------------|-------------------|----------------------------------|
| 064 | C | (4) - 10T |
| | E | (2) - 10T/(2) - 13T |
| | F | (4) - 13T |
| 074 | B | (2) - 10T/(2) - 13T |
| | C | (4) - 13T |
| | D | (2) - 13T/(2) - 15T |
| | E | (4) - 15T |
| 084 | A | (4) - 13T |
| | B | (2) - 13T/(2) - 15T |
| | C | (4) - 15T |
| | D | (2) - 13T/(2) - 20T |
| | E | (2) - 15T/(2) - 20T |
| | F | (2) - 13T/(2) - 25T |
| 094 | A | (4) - 15T |
| | B | (2) - 13T/(2) - 20T |
| | C | (2) - 15T/(2) - 20T |
| | D | (2) - 13T/(2) - 25T |
| | F | (2) - 15T/(2) - 25T |
| 104 | A | (2) - 15T/(2) - 20T |
| | B | (2) - 13T/(2) - 25T |
| | D | (2) - 15T/(2) - 25T |
| | E | (2) - 20T/(2) - 25T |
| | F | (4) - 25T |

ARI* capacity ratings



| 50XJ UNIT | NOMINAL TONS | STD CFM | NET COOLING CAPACITY | EER | IPLV |
|-----------|--------------|---------|----------------------|------|------|
| C064 | 50 | 15,240 | 555,000 | 13.8 | 12.9 |
| E064 | 50 | 15,240 | 600,000 | 13.7 | 13 |
| F064 | 65 | 15,240 | 640,000 | 13.6 | 13.1 |
| B074 | 60 | 15,240 | 600,000 | 13.7 | 13 |
| C074 | 65 | 15,240 | 640,000 | 13.6 | 13.1 |
| D074 | 70 | 15,240 | 690,000 | 13.1 | 13 |
| E074 | 75 | 15,240 | 740,000 | 12.7 | 12.8 |
| A084 | 65 | 19,320 | 675,000 | 13.1 | 11.8 |
| B084 | 70 | 19,320 | 735,000 | 12.9 | 11.7 |
| C084 | 75 | 19,320 | 785,000 | 12.6 | 11.8 |
| D084 | 80 | 19,320 | 820,000 | 12.9 | 11.9 |
| E084 | 85 | 19,320 | 865,000 | 12.6 | 11.9 |
| F084 | 90 | 19,320 | 885,000 | 12.3 | 11.7 |
| A094 | 75 | 20,400 | 805,000 | 13.3 | 12.7 |
| B094 | 80 | 20,400 | 840,000 | 13.5 | 12.8 |
| C094 | 85 | 20,400 | 890,000 | 13.2 | 12.8 |
| D094 | 90 | 20,400 | 910,000 | 13 | 12.6 |
| F094 | 100 | 20,400 | 955,000 | 12.7 | 12.6 |
| A104 | 85 | 22,280 | 910,000 | 13.2 | 12.4 |
| B104 | 90 | 22,280 | 930,000 | 13 | 12.2 |
| D104 | 100 | 22,280 | 980,000 | 12.7 | 12.2 |
| E104 | 100 | 22,280 | 1,055,000 | 12.5 | 12.4 |

LEGEND

EER — Energy Efficiency Ratio
IPLV — Integrated Part Load Value

*Air Conditioning and Refrigeration Institute.

NOTE: Unit rated in accordance with ARI 340/360.

Physical data



| UNIT 50XJ | 064 | | | 074 | | | | | 084 | | | | | | | | | |
|--|--|--------------------------------|--------------------------------|----------------------------------|--------------------------------|--------------------------------|---------------------------------------|--------------------------------|----------------------------------|--------------------------------|--------------------------------|--------------------------------|--------------------------------|--------------------------------|--------------------------------|--------------------------------|--------------------------------|--------------------------------|
| COMPRESSOR OPTION | C | E | F | B | C | D | E | A | B | C | D | E | F | | | | | |
| NOMINAL UNIT CFM | 18,000 | | | 20,000 | | | | | 24,000 | | | | | | | | | |
| CABINET | | | | | | | | | | | | | | | | | | |
| Length (ft-in.) | 10-0 ⁵ / ₈ | | | 10-0 ⁵ / ₈ | | | | | 10-0 ⁵ / ₈ | | | | | | | | | |
| Width (ft-in.) | 7-1 ³ / ₄ | | | 7-1 ³ / ₄ | | | | | 7-1 ³ / ₄ | | | | | | | | | |
| Height (ft-in.) | 8-0 | | | 8-0 | | | | | 8-0 | | | | | | | | | |
| OPERATING WEIGHT (lb) | See Operating Weights section | | | | | | | | | | | | | | | | | |
| OPERATING CHARGE PER CIRCUIT (lb) | 25 | | | 25 | | | | | 27 | | | | | | | | | |
| COMPRESSORS | Copeland Scroll | | | | | | | | | | | | | | | | | |
| Circuit No. 1 & 4 Size (tons) | 10 | 10 | 13 | 10 | 13 | 13 | 15 | 13 | 13 | 15 | 13 | 15 | 13 | | | | | |
| Circuit No. 2 & 3 Size (tons) | 10 | 13 | 13 | 13 | 13 | 13 | 15 | 15 | 15 | 15 | 20 | 20 | 25 | | | | | |
| Circuit No. 1 & 4 Oil Charge (oz) | 140 | 140 | 140 | 140 | 140 | 140 | 140 | 140 | 140 | 140 | 140 | 140 | 140 | | | | | |
| Circuit No. 2 & 3 Oil Charge (oz) | 140 | 140 | 140 | 140 | 140 | 140 | 140 | 140 | 140 | 140 | 158 | 158 | 200 | | | | | |
| Number of Capacity Steps | 4 | 4 | 4 | 4 | 4 | 4 | 4 | 4 | 4 | 4 | 4 | 4 | 4 | | | | | |
| Number of Circuits | 4 | 4 | 4 | 4 | 4 | 4 | 4 | 4 | 4 | 4 | 4 | 4 | 4 | | | | | |
| CONDENSER | Shell and Tube Type with Removable Heads | | | | | | | | | | | | | | | | | |
| Quantity | 4 | 4 | 4 | 4 | 4 | 4 | 4 | 4 | 4 | 4 | 4 | 4 | 4 | | | | | |
| Nominal Gpm | 150 | 173 | 195 | 173 | 195 | 210 | 225 | 195 | 210 | 225 | 248 | 263 | 285 | | | | | |
| Gpm Range | 100-175 | 115-201 | 130-228 | 115-201 | 130-228 | 140-245 | 150-263 | 130-228 | 140-245 | 150-263 | 165-289 | 175-306 | 190-333 | | | | | |
| Max. Waterside Pressure Std. | 150 | 150 | 150 | 150 | 150 | 150 | 150 | 150 | 150 | 150 | 150 | 150 | 150 | | | | | |
| Max. Waterside Pressure Option | 400 | 400 | 400 | 400 | 400 | 400 | 400 | 400 | 400 | 400 | 400 | 400 | 400 | | | | | |
| Minimum Entering Water without Head Pressure Control (F) | 55 | 55 | 55 | 55 | 55 | 55 | 55 | 55 | 55 | 55 | 55 | 55 | 55 | | | | | |
| Minimum Entering Water with Head Pressure Control (F) | 35 | 35 | 35 | 35 | 35 | 35 | 35 | 35 | 35 | 35 | 35 | 35 | 35 | | | | | |
| Maximum Entering Water Temperature (F) | 115 | 115 | 115 | 115 | 115 | 115 | 115 | 115 | 115 | 115 | 115 | 115 | 115 | | | | | |
| Water Volume (gal) Total | 18 | 18 | 18 | 18 | 18 | 18 | 18 | 18 | 18 | 18 | 20.1 | 20.1 | 20.1 | | | | | |
| INDOOR DX COIL | 1/2-in. OD, Copper Tube, Aluminum Fin | | | | | | 1/2-in. OD, Copper Tube, Aluminum Fin | | | | | | | | | | | |
| Face Area (sq ft) | 38.1 | | | | | | 48.3 | | | | | | | | | | | |
| Number of Rows — Fins/in. | 6-12 | | | | | | 6-12 | | | | | | | | | | | |
| WATERSIDE ECONOMIZER COIL | 5/8-in. OD, Copper Tube, Aluminum Fin | | | | | | | | | | | | | | | | | |
| Face Area (sq ft) | 47.8 | | | | | | | | | | | | | | | | | |
| Number of Rows — Fins/in. | 4-10 | | | | | | | | | | | | | | | | | |
| Water Volume (gal) | 29.4 | | | | | | | | | | | | | | | | | |
| HOT WATER HEATING COIL | 5/8-in. OD, Copper Tube, Aluminum Fin | | | | | | | | | | | | | | | | | |
| Face Area (sq ft) | 44.2 | | | | | | | | | | | | | | | | | |
| Number of Rows — Fins/in. | 2-10 | | | | | | | | | | | | | | | | | |
| Water Volume (gal) | 12.8 | | | | | | | | | | | | | | | | | |
| STEAM HEATING COIL | 1-in. OD, Copper Tube, Aluminum Fin | | | | | | | | | | | | | | | | | |
| Face Area (sq-ft) | 46.4 | | | | | | | | | | | | | | | | | |
| Number of Rows — Fins/in. | 1-8 | | | | | | | | | | | | | | | | | |
| INDOOR FAN | Spring Isolated, Forward Curve | | | Spring Isolated, Forward Curve | | | | | Spring Isolated, Forward Curve | | | | | | | | | |
| Nominal Cfm | 19,000 | | | 19,000 | | | | | 24,000 | | | | | | | | | |
| Quantity | 1 | | | 1 | | | | | 1 | | | | | | | | | |
| Size (in.) | 25 x 20 | | | 25 x 20 | | | | | 25 x 20 | | | | | | | | | |
| Minimum Hp | 7 ¹ / ₂ | | | 10 | | | | | 10 | | | | | | | | | |
| Maximum Hp | 30 | | | 40 | | | | | 40 | | | | | | | | | |
| Minimum Design Cfm | 15,240 | | | 15,240 | | | | | 19,320 | | | | | | | | | |
| Maximum Design Cfm | 22,860 | | | 22,860 | | | | | 28,980 | | | | | | | | | |
| Maximum Allowable Rpm | 1032 | | | 1032 | | | | | 1,032 | | | | | | | | | |
| Fan Shaft Diameter (in.) | 2 ⁷ / ₁₆ | | | 2 ⁷ / ₁₆ | | | | | 2 ⁷ / ₁₆ | | | | | | | | | |
| INDOOR FAN MOTOR OPTIONS | | | | | | | | | | | | | | | | | | |
| HP | 7 ¹ / ₂ | 10 | 15 | 20 | 25 | 30 | 10 | 15 | 20 | 25 | 30 | 40 | 10 | 15 | 20 | 25 | 30 | 40 |
| Frame Size | 213T | 215T | 254T | 256T | 284T | 286T | 215T | 254T | 256T | 284T | 286T | 324T | 215T | 254T | 256T | 284T | 286T | 324T |
| Motor Efficiency % High | 89.5 | 89.5 | 91 | 91 | 91.7 | 93 | 89.5 | 91 | 91 | 91.7 | 93 | 93 | 89.5 | 91 | 91 | 91.7 | 93 | 93 |
| Motor Efficiency % Premium | 91.7 | 91.7 | 93 | 93.6 | 93.6 | 93.6 | 91.7 | 93 | 93.6 | 93.6 | 93.6 | 94.5 | 91.7 | 93 | 93.6 | 93.6 | 93.6 | 94.5 |
| Motor Efficiency % TEFC | 89.5 | 89.5 | 91 | 91 | 92.4 | 92.4 | 89.5 | 91 | 91 | 92.4 | 92.4 | 93 | 89.5 | 91 | 91 | 92.4 | 92.4 | 93 |
| Fan Rpm | 507 | 605 | 746 | 859 | 887 | 915 | 605 | 746 | 859 | 887 | 915 | 920 | 605 | 746 | 859 | 998 | 915 | 920 |
| Fan Pulley Diameter (in.) | 12.5 | | | | | | | | | | | | 12.5 | | 15.5 | | | |
| Motor Shaft Diameter (in.) | 1 ³ / ₈ | 1 ³ / ₈ | 1 ⁵ / ₈ | 1 ⁵ / ₈ | 1 ⁷ / ₈ | 1 ⁷ / ₈ | 1 ³ / ₈ | 1 ⁵ / ₈ | 1 ⁵ / ₈ | 1 ⁷ / ₈ | 1 ⁷ / ₈ | 2 ¹ / ₈ | 1 ³ / ₈ | 1 ⁵ / ₈ | 1 ⁵ / ₈ | 1 ⁷ / ₈ | 1 ⁷ / ₈ | 2 ¹ / ₈ |
| Number of 5V Belts | 2 | 2 | 2 | 3 | 3 | 3 | 2 | 2 | 2 | 3 | 3 | 3 | 2 | 2 | 2 | 3 | 3 | 3 |
| Motor Pulley Diameter (in.) | 3.6 | 4.3 | 5.3 | 6.1 | 6.3 | 6.5 | 4.3 | 5.3 | 6.1 | 6.3 | 6.5 | 8.1 | 4.3 | 5.3 | 6.1 | 6.3 | 6.5 | 8.1 |
| Center Distance (in.) | 21 ⁷ / ₈ | 21 ⁷ / ₈ | 21 ¹ / ₈ | 21 ¹ / ₈ | 20 ⁹ / ₈ | 20 ⁹ / ₈ | 21 ⁷ / ₈ | 21 ¹ / ₈ | 21 ¹ / ₈ | 20 ⁹ / ₈ | 20 ⁹ / ₈ | 19 ⁷ / ₈ | 21 ⁷ / ₈ | 21 ¹ / ₈ | 21 ¹ / ₈ | 20 ⁹ / ₈ | 20 ⁹ / ₈ | 19 ⁷ / ₈ |
| RETURN AIR FILTERS TYPE | 4-in. 30% Disposable (MERV6) | | | | | | | | | | | | | | | | | |
| Filter Face Area (sq ft) | 58.3 | | | | | | | | | | | | | | | | | |
| Size (in.) — Quantity | 20 X 20-6 20 x 25-12 | | | | | | | | | | | | | | | | | |
| Options | 2-in. 30%, 4-in. 65%, 4-in. 85% | | | | | | | | | | | | | | | | | |
| CONNECTIONS | | | | | | | | | | | | | | | | | | |
| Water Inlet (in.), Type | 3 ¹ / ₈ Sweat | | | | | | | | | | | | | | | | | |
| Water Outlet (in.), Type | 3 ¹ / ₈ Sweat | | | | | | | | | | | | | | | | | |
| Condensate Drain (in.), Type | 1 MPT | | | | | | | | | | | | | | | | | |
| CONTROLS | Stand-Alone Microprocessor Carrier CCN Standard | | | | | | | | | | | | | | | | | |
| Network Interface | 400 | | | | | | | | | | | | | | | | | |
| Condenser Relief Valve (psig) | 2-4.5 | | | | | | | | | | | | | | | | | |
| Duct High Static (in. wg) | 1 | | | | | | | | | | | | | | | | | |
| Filter Maintenance (in. wg) | 0.5-5 | | | | | | | | | | | | | | | | | |
| Evaporator Frost Protection (F) | 30 | | | | | | | | | | | | | | | | | |
| High Pressure Switch (psig) | 360 | | | | | | | | | | | | | | | | | |
| Low Pressure Switch (psig) | 27 | | | | | | | | | | | | | | | | | |
| Safety Lockout Protection | Cycle-LOC™ ea. Compressor | | | | | | | | | | | | | | | | | |

LEGEND

- CCN — Carrier Comfort Network
- DX — Direct Expansion
- TEFC — Totally Enclosed Fan Cooled

Physical data (cont)



| UNIT 50XJ | 094 | | | | | 104 | | | | | | |
|--|--|--------------------------------|--------------------------------|--------------------------------|--------------------------------|-------------------------------------|--------------------------------|--------------------------------|--------------------------------|--------------------------------|--------------------------------|--------------------------------|
| COMPRESSOR OPTION | A | B | C | D | F | A | B | D | E | F | | |
| NOMINAL UNIT CFM | 26,000 | | | | | 28,000 | | | | | | |
| CABINET | | | | | | | | | | | | |
| Length (ft-in.) | | | | | | 10-0 ⁵ / ₈ | | | | | | |
| Width (ft-in.) | | | | | | 7-1 ³ / ₄ | | | | | | |
| Height (ft-in.) | | | | | | 8-0 | | | | | | |
| OPERATING WEIGHT (lb) | See Operating Weights section | | | | | | | | | | | |
| OPERATING CHARGE PER CIRCUIT (lb) | 28 | | | | | 29 | | | | | | |
| COMPRESSORS | Copeland Scroll | | | | | | | | | | | |
| Circuit No. 1 & 4 Size (tons) | 15 | 13 | 15 | 13 | 15 | 15 | 13 | 15 | 20 | 25 | | |
| Circuit No. 2 & 3 Size (tons) | 15 | 20 | 20 | 25 | 25 | 20 | 25 | 25 | 25 | 25 | | |
| Circuit No. 1 & 4 Oil Charge (oz) | 140 | 140 | 140 | 140 | 140 | 140 | 140 | 140 | 158 | 158 | | |
| Circuit No. 2 & 3 Oil Charge (oz) | 140 | 158 | 158 | 200 | 200 | 158 | 200 | 200 | 200 | 200 | | |
| Number of Capacity Steps | 4 | 4 | 4 | 4 | 4 | 4 | 4 | 4 | 4 | 4 | | |
| Number of Circuits | 4 | 4 | 4 | 4 | 4 | 4 | 4 | 4 | 4 | 4 | | |
| CONDENSER | Shell and Tube Type with Removable Heads | | | | | | | | | | | |
| Quantity | 4 | 4 | 4 | 4 | 4 | 4 | 4 | 4 | 4 | 4 | | |
| Nominal Gpm | 225 | 248 | 263 | 285 | 300 | 263 | 285 | 300 | 338 | 338 | | |
| Gpm Range | 150-263 | 165-289 | 175-306 | 190-333 | 200-350 | 175-306 | 190-333 | 200-350 | 225-394 | 225-394 | | |
| Max. Waterside Pressure Std. | 150 | 150 | 150 | 150 | 150 | 150 | 150 | 150 | 150 | 150 | | |
| Max. Waterside Pressure Option | 400 | 400 | 400 | 400 | 400 | 400 | 400 | 400 | 400 | 400 | | |
| Minimum Entering Water without Head Pressure Control (F) | 55 | 55 | 55 | 55 | 55 | 55 | 55 | 55 | 55 | 55 | | |
| Minimum Entering Water with Head Pressure Control (F) | 35 | 35 | 35 | 35 | 35 | 35 | 35 | 35 | 35 | 35 | | |
| Maximum Entering Water Temperature (F) | 115 | 115 | 115 | 115 | 115 | 115 | 115 | 115 | 115 | 115 | | |
| Water Volume (gal) Total | 18 | 20.1 | 20.1 | 20.1 | 20.1 | 20.1 | 20.1 | 20.1 | 22.2 | 22.2 | | |
| INDOOR DX COIL | 1/2-in. OD, Copper Tube, Aluminum Fin | | | | | | | | | | | |
| Face Area (sq ft) | 51 | | | | | 55.8 | | | | | | |
| Number of Rows — Fins/in. | 6-12 | | | | | 6-12 | | | | | | |
| WATERSIDE ECONOMIZER COIL | 5/8-in. OD, Copper Tube, Aluminum Fin | | | | | | | | | | | |
| Face Area (sq ft) | | | | | | 55.8 | | | | | | |
| Number of Rows — Fins/in. | | | | | | 4-10 | | | | | | |
| Water Volume (gal) | | | | | | 33 | | | | | | |
| HOT WATER HEATING COIL | 5/8-in. OD, Copper Tube, Aluminum Fin | | | | | | | | | | | |
| Face Area (sq ft) | | | | | | 51.5 | | | | | | |
| Number of Rows — Fins/in. | | | | | | 2-10 | | | | | | |
| Water Volume (gal) | | | | | | 14.7 | | | | | | |
| STEAM HEATING COIL | 1-in. OD, Copper Tube, Aluminum Fin | | | | | | | | | | | |
| Face Area (sq ft) | | | | | | 53 | | | | | | |
| Number of Rows — Fins/in. | | | | | | 1-8 | | | | | | |
| INDOOR FAN | Spring Isolated, Forward Curve | | | | | Spring Isolated, Forward Curve | | | | | | |
| Nominal Cfm | 26,000 | | | | | 28,000 | | | | | | |
| Quantity | 1 | | | | | 1 | | | | | | |
| Size (in.) | 27 x 25 | | | | | 27 x 25 | | | | | | |
| Minimum Hp | 15 | | | | | 15 | | | | | | |
| Maximum Hp | 50 | | | | | 50 | | | | | | |
| Minimum Design Cfm | 20,400 | | | | | 22,320 | | | | | | |
| Maximum Design Cfm | 30,600 | | | | | 33,480 | | | | | | |
| Maximum Allowable Rpm | 910 | | | | | 910 | | | | | | |
| Fan Shaft Diameter (in.) | 2 ⁷ / ₁₆ | | | | | 2 ⁷ / ₁₆ | | | | | | |
| INDOOR FAN MOTOR OPTIONS | 15 | 20 | 25 | 30 | 40 | 50 | 15 | 20 | 25 | 30 | 40 | 50 |
| Hp | 254T | 256T | 284T | 286T | 324T | 326T | 254T | 256T | 284T | 286T | 324T | 326T |
| Frame Size | 91 | 91 | 91.7 | 93 | 93 | 93 | 91 | 91 | 91.7 | 93 | 93 | 93 |
| Motor Efficiency % High | 93 | 93.6 | 93.6 | 93.6 | 94.5 | 94.5 | 93 | 93.6 | 93.6 | 93.6 | 94.5 | 94.5 |
| Motor Efficiency % Premium | 91 | 91 | 92.4 | 92.4 | 93 | 93 | 91 | 91 | 92.4 | 92.4 | 93 | 93 |
| Motor Efficiency % TEFC | 652 | 690 | 746 | 803 | 806 | 828 | 652 | 690 | 746 | 803 | 826 | 828 |
| Fan Rpm | 12.5 | 12.5 | 12.5 | 12.5 | 15.5 | 18.5 | 12.5 | 12.5 | 12.5 | 12.5 | 15.5 | 18.5 |
| Fan Pulley Diameter (in.) | 1 ⁵ / ₈ | 1 ⁵ / ₈ | 1 ⁷ / ₈ | 1 ⁷ / ₈ | 2 ¹ / ₈ | 2 ¹ / ₈ | 1 ⁵ / ₈ | 1 ⁵ / ₈ | 1 ⁷ / ₈ | 1 ⁷ / ₈ | 2 ¹ / ₈ | 2 ¹ / ₈ |
| Motor Shaft Diameter (in.) | 3 | 3 | 3 | 3 | 4 | 4 | 3 | 3 | 3 | 3 | 4 | 4 |
| Number of 5V Belts | 4.5 | 4.9 | 5.3 | 5.7 | 7.1 | 8.7 | 4.5 | 4.9 | 5.3 | 5.7 | 7.1 | 8.7 |
| Motor Pulley Diameter (in.) | 23 ¹ / ₄ | 23 ¹ / ₄ | 22 ⁵ / ₈ | 22 ⁵ / ₈ | 21 ⁷ / ₈ | 21 ⁷ / ₈ | 23 ¹ / ₄ | 23 ¹ / ₄ | 22 ⁵ / ₈ | 22 ⁵ / ₈ | 21 ⁷ / ₈ | 21 ⁷ / ₈ |
| Center Distance (in.) | | | | | | | | | | | | |
| RETURN AIR FILTERS TYPE | 4-in. 30% Disposable (MERV6) | | | | | | | | | | | |
| Filter Face Area (sq ft) | 66.7 | | | | | 66.7 | | | | | | |
| Size (in.) — Quantity | 20 X 20-24 | | | | | 20 X 20-24 | | | | | | |
| Options | 2-in. 30%, 4-in. 65%, 4-in. 85% | | | | | | | | | | | |
| CONNECTIONS | | | | | | | | | | | | |
| Water Inlet (in.), Type | | | | | | 3 ¹ / ₈ Sweat | | | | | | |
| Water Outlet (in.), Type | | | | | | 3 ¹ / ₈ Sweat | | | | | | |
| Condensate Drain (in.), Type | | | | | | 1 MPT | | | | | | |
| CONTROLS | Stand-Alone Microprocessor | | | | | | | | | | | |
| Network Interface | Carrier CCN Standard | | | | | | | | | | | |
| Condenser Relief Valve (psig) | 400 | | | | | | | | | | | |
| Duct High Static (in. wg) | 2-4.5 | | | | | | | | | | | |
| Filter Maintenance (in. wg) | 0.5-5 | | | | | | | | | | | |
| Evaporator Frost Protection (F) | 30 | | | | | | | | | | | |
| High Pressure Switch (psig) | 360 | | | | | | | | | | | |
| Low Pressure Switch (psig) | 27 | | | | | | | | | | | |
| Safety Lockout Protection | Cycle-LOC™ ea. Compressor | | | | | | | | | | | |

LEGEND

- CCN — Carrier Comfort Network
- DX — Direct Expansion
- TEFC — Totally Enclosed Fan Cooled



UNIT OPERATING WEIGHTS

BASE UNIT AND CONDENSER WATER WEIGHT

| 50XJ UNIT | BASE UNIT WEIGHT (lb) | CONDENSER WATER WEIGHT (lb) |
|-----------|-----------------------|-----------------------------|
| C064 | 5388 | 150 |
| E064 | 5408 | 150 |
| F064 | 5428 | 150 |
| B074 | 5408 | 150 |
| C074 | 5428 | 150 |
| D074 | 5478 | 150 |
| E074 | 5528 | 150 |
| A084 | 5434 | 150 |
| B084 | 5484 | 150 |
| C084 | 5534 | 150 |
| D084 | 5700 | 167 |
| E084 | 5750 | 167 |
| F084 | 5896 | 167 |
| A094 | 5853 | 150 |
| B094 | 6019 | 167 |
| C094 | 6069 | 167 |
| D094 | 6215 | 167 |
| F094 | 6265 | 167 |
| A104 | 6092 | 167 |
| B104 | 6238 | 167 |
| D104 | 6288 | 167 |
| E104 | 6700 | 187 |
| F104 | 7092 | 187 |

NOTES:

1. Base unit weight includes refrigerant, controls and 150 psig condensers.
2. Add 205 lb to the base unit weight for approximate shipping weight.

MOTOR WEIGHT (208/230/460 VAC)

| MOTOR HP | ODP HIGH EFFICIENCY WEIGHT (lb) | ODP PREMIUM EFFICIENCY WEIGHT (lb) | TEFC STANDARD EFFICIENCY WEIGHT (lb) |
|----------|---------------------------------|------------------------------------|--------------------------------------|
| 7.5 | 90 | 115 | 90 |
| 10 | 126 | 126 | 174 |
| 15 | 170 | 204 | 275 |
| 20 | 211 | 250 | 290 |
| 25 | 240 | 290 | 418 |
| 30 | 283 | 300 | 436 |
| 40 | 372 | 415 | 661 |
| 50 | 390 | 430 | 684 |

LEGEND

- HP** — Horsepower
ODP — Open Drip Proof
TEFC — Totally Enclosed Fan Cooled

VFD WEIGHT (208/203/460 VAC)

| MOTOR HP | EQUAL SIZE WEIGHT (lb) | OVERSIZED WEIGHT (lb) |
|----------|------------------------|-----------------------|
| 7.5 | 22 | 22 |
| 10 | 22 | 30 |
| 15 | 30 | 30 |
| 20 | 30 | 55 |
| 25 | 55 | 58 |
| 30 | 58 | 72 |
| 40 | 72 | 75 |
| 50 | 72 | 183 |

LEGEND

- VFD** — Variable Frequency Drive
EQUAL SIZE — Horsepower rating of VFD equal to horsepower rating of supply fan motor
OVERSIZED — Horsepower rating of VFD increased to next frame size higher than horsepower rating of supply fan motor

FILTER WEIGHT

| SIZE (in.) | EFFICIENCY (%) | TOTAL WEIGHT (lb) |
|------------|----------------|-------------------|
| 2 | 30 | 15 |
| 4 | 30 | 28 |
| | 65 | 69 |
| | 85 | 69 |

LEGEND

- SIZE** — Filter Thickness

CONDENSER WEIGHT

| PRESSURE RATING (psig) | WEIGHT (lb) |
|------------------------|-------------|
| 150 | Incl. |
| 400 | 100 |

OPTIONAL SERVICE VALVE WEIGHT

| | |
|-----------------------------------|-------|
| SERVICE VALVES (All Units) | 32 lb |
|-----------------------------------|-------|

Physical data (cont)



UNIT OPERATING WEIGHTS (cont) ECONOMIZER COIL AND VALVE WEIGHT

| 50XJ UNIT | MECHANICALLY CLEANABLE ECONOMIZER COIL WEIGHT (lb) | CHEMICALLY CLEANABLE ECONOMIZER COIL WEIGHT (lb) | STOP VALVE WEIGHT (lb) | REGULATING VALVE WEIGHT (lb) | WATER WEIGHT (lb) |
|-----------|--|--|------------------------|------------------------------|-------------------|
| C064 | 661 | 632 | 7 | 13 | 244 |
| E064 | 661 | 632 | 7 | 13 | 244 |
| F064 | 661 | 632 | 7 | 13 | 244 |
| B074 | 661 | 632 | 7 | 13 | 244 |
| C074 | 661 | 632 | 7 | 13 | 244 |
| D074 | 661 | 632 | 7 | 13 | 244 |
| E074 | 661 | 632 | 7 | 13 | 244 |
| A084 | 661 | 632 | 7 | 13 | 244 |
| B084 | 661 | 632 | 7 | 13 | 244 |
| C084 | 661 | 632 | 7 | 13 | 244 |
| D084 | 661 | 632 | 7 | 13 | 244 |
| E084 | 661 | 632 | 7 | 13 | 244 |
| F084 | 661 | 632 | 7 | 13 | 244 |
| A094 | 748 | 714 | 7 | 13 | 274 |
| B094 | 748 | 714 | 7 | 13 | 274 |
| C094 | 748 | 714 | 7 | 13 | 274 |
| D094 | 748 | 714 | 7 | 13 | 274 |
| F094 | 748 | 714 | 7 | 13 | 274 |
| A104 | 748 | 714 | 7 | 13 | 274 |
| B104 | 748 | 714 | 7 | 13 | 274 |
| D104 | 748 | 714 | 7 | 13 | 274 |
| E104 | 748 | 714 | 7 | 13 | 274 |
| F104 | 748 | 714 | 7 | 13 | 274 |

HEATING COIL WEIGHT

| 50XJ UNIT | HOT WATER COIL WEIGHT (lb) | STEAM COIL WEIGHT (lb) | WATER WEIGHT (lb) |
|-----------|----------------------------|------------------------|-------------------|
| C064 | 310 | 354 | 106 |
| E064 | 310 | 354 | 106 |
| F064 | 310 | 354 | 106 |
| B074 | 310 | 354 | 106 |
| C074 | 310 | 354 | 106 |
| D074 | 310 | 354 | 106 |
| E074 | 310 | 354 | 106 |
| A084 | 310 | 354 | 106 |
| B084 | 310 | 354 | 106 |
| C084 | 310 | 354 | 106 |
| D084 | 310 | 354 | 106 |
| E084 | 310 | 354 | 106 |
| F084 | 310 | 354 | 106 |
| A094 | 351 | 400 | 122 |
| B094 | 351 | 400 | 122 |
| C094 | 351 | 400 | 122 |
| D094 | 351 | 400 | 122 |
| F094 | 351 | 400 | 122 |
| A104 | 351 | 400 | 122 |
| B104 | 351 | 400 | 122 |
| D104 | 351 | 400 | 122 |
| E104 | 351 | 400 | 122 |
| F104 | 351 | 400 | 122 |

PLENUM WEIGHT

| WALL THICKNESS (in.) | HEIGHT (in.) | WEIGHT (lb) |
|----------------------|--------------|-------------|
| 2 | 22 | 927 |
| | 24 | 967 |
| | 28 | 1047 |
| | 34 | 1167 |
| | 40 | 1283 |
| | 46 | 1410 |
| 4 | 22 | 1290 |
| | 24 | 1346 |
| | 28 | 1455 |
| | 34 | 1620 |
| | 40 | 1785 |
| | 46 | 1949 |

Options and accessories



Factory-installed options

Two position isolation valve — A two-position valve on the condenser water inlet closes whenever no stages of cooling are required, resulting in pump energy savings for buildings employing variable speed pumping. This valve is not required with water regulating valve or waterside economizer options.

Water regulating valve — A modulating control valve located on the inlet of the condensers, modulates water flow to control the discharge pressure of the number one compressor above a minimum head pressure. This valve allows the unit to operate with entering water temperatures as low as 40 F. Two offerings are provided. The first is used for building systems with constant condenser water pumping, which uses a modulating bypass valve to keep the system water flow constant. The second allows the water-regulating valve to modulate closed and reduce system water flow for building systems with variable speed pumping.

Waterside economizer — The waterside economizer is a condenser water pre-cooling coil located before the direct expansion cooling coils, allowing the condenser water to provide free cooling. When the condenser water temperature is 5 F or more below the return-air temperature, condenser water is directed to the economizer coil to obtain free cooling. When free cooling is available the economizer coil functions as the first stage of cooling. The economizer coil valve can be modulated to control discharge-air temperature when the economizer can meet or exceed the cooling needs. If the economizer coil cannot control the discharge-air temperature, compressor stages are brought on to control the discharge-air temperature.

The waterside economizer includes the economizer coil, two two-way valves, vent and drain fittings and the required piping. The economizer coil is a 4-row coil with 10 fins per inch and is mechanically cleanable through clean-out plugs located on the coil return bends. The economizer and valves can be controlled to operate on either constant or variable flow building systems. The unit controller controls all required control logic and changeover.

Motor hp options — Up to 6 high-efficiency motor horsepower and drive combinations are available for each unit size. This allows the most efficient motor selection to meet the building static requirements.

Premium-efficiency motors — A premium-efficiency level motor is available for all motor hp options. Premium motor efficiency levels as high as 94.5% efficiency.

VFD bypass switch — A switch located next to the Variable Frequency Drive allows the drive to be removed from service for testing or repair and still allow the unit to run in constant airflow mode. A unit-mounted signal light will indicate if the unit is operating in bypass mode. A motor overload and starter are included to provide proper motor protection when in the bypass mode. The unit controller is linked with the bypass to signal VAV terminals to open

when in the bypass mode. Password protected control logic prevents unauthorized changeover to bypass mode.

Non-fused disconnect — A lockable nonfused switch located by the unit control panel to disconnect all unit power. The switch is accessible without opening any control panels.

Phase loss/phase reversal/low voltage protection — A power line monitor control which protects 3 phase motors from damage due to single phasing, phase reversal and low voltage condition. Phase monitor is linked to the unit controller.

High waterside pressure condenser — Condensers rated with 400 psi waterside working pressure. Normally only required when building heights exceed 65 feet.

Four-inch MERV 8 (65%) filter — Extra deep 65% ASHRAE 52 rated 4-in. pleated filters with a MERV (minimum efficiency rating value) of 8. This filter provides better air quality at less pressure drop than comparable 4-in. 30% filters.

Extended grease lines — For ease in servicing, grease lines are extended from the fan and motor bearings to one location on the unit corner post with external grease fittings.

Compressor service valves — A service valve is provided on the suction and discharge line of each compressor to allow compressor isolation for servicing.

Water flow switch — A thermal type water flow switch is located in the entering condenser water. This switch prevents compressor operation if water flow is not available, and water flow signal is not provided on the control network.

Fire and smoke control interface — Control system modifications allow the unit fans and VAV box control signals to be commanded to respond to fire and smoke control signals.

Evaporator coil coating — Evaporator coil aluminum fins shall be coated an epoxy coating, capable of 1000-hr salt spray exposure per ASTM B117 test and ASTM DI 654 evaluation, 2000-hr corrosion weathering cycle and moist sulfur dioxide exposure per DIN 50018 (ASTM G87) test and ASTM DI 654 and ASTM D714 evaluation.

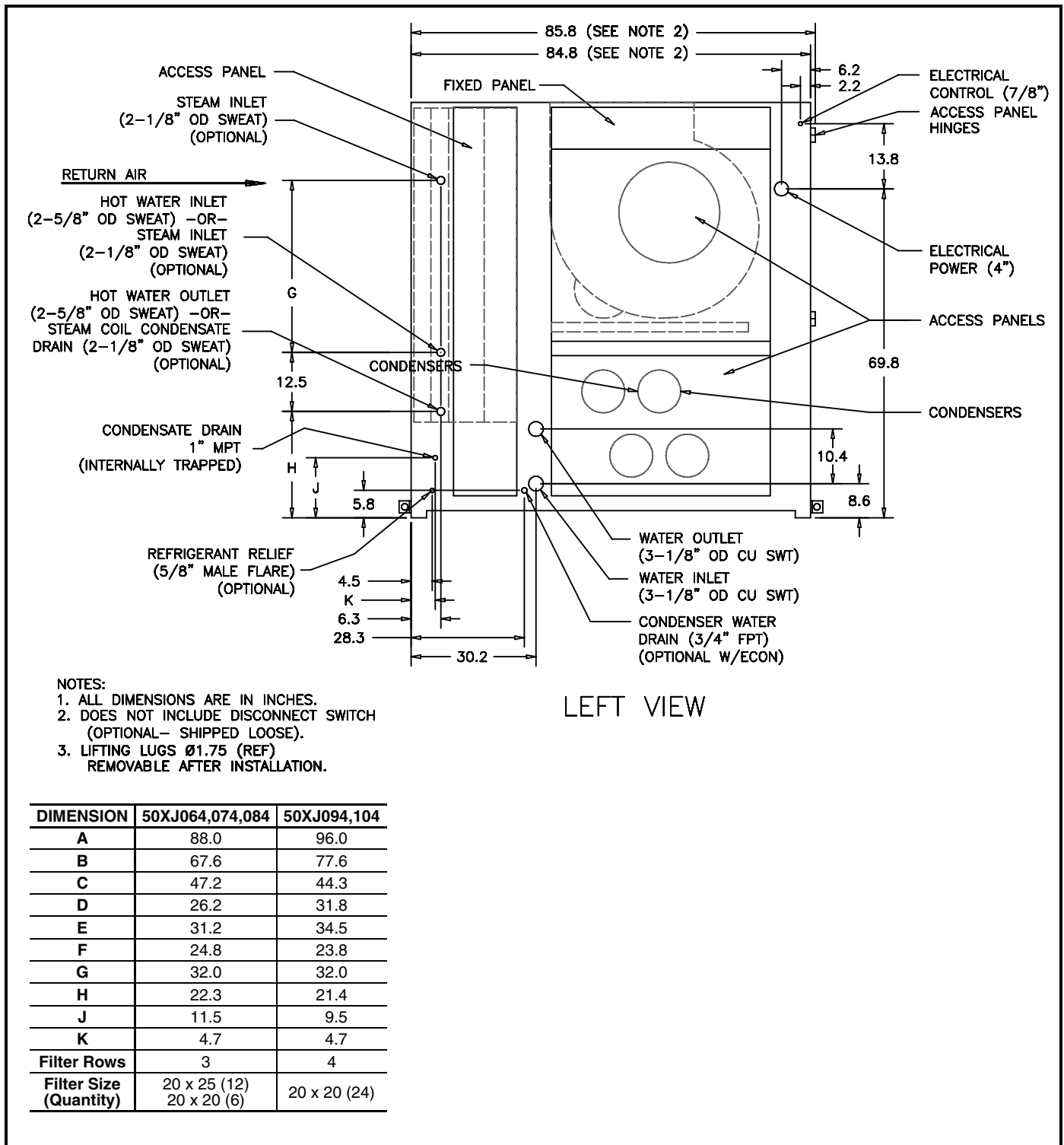
Space temperature sensor — The T-56 space temperature sensor monitors space temperature. The device can be wall mounted in the occupied space.

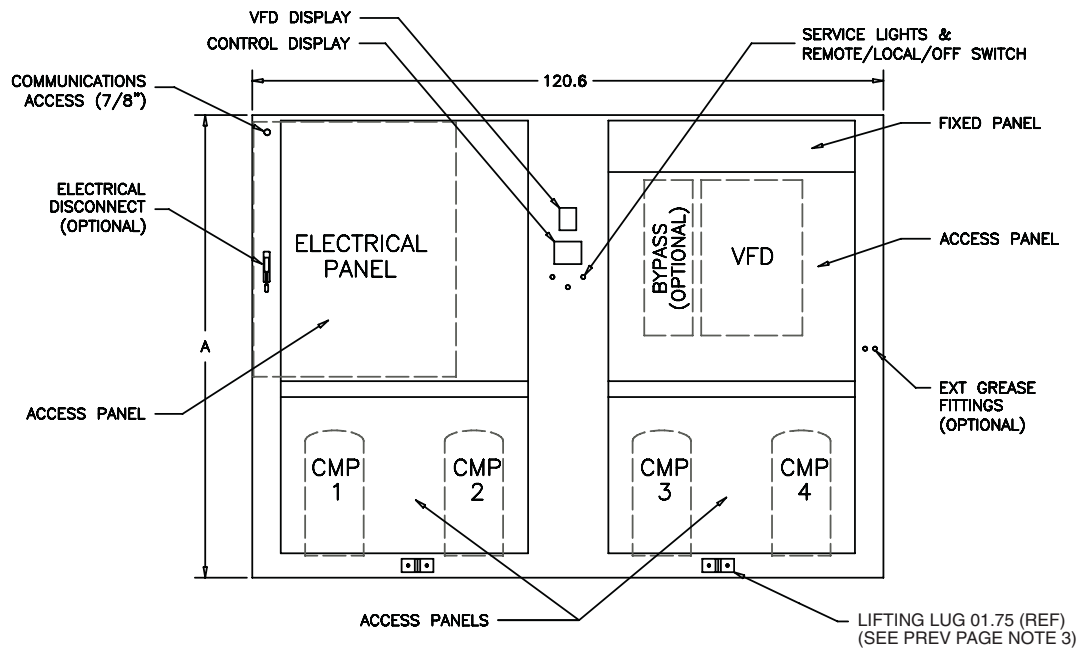
Field-installed accessories

Acoustic discharge plenum — A factory designed plenum provides sound attenuation and minimum static pressure losses.

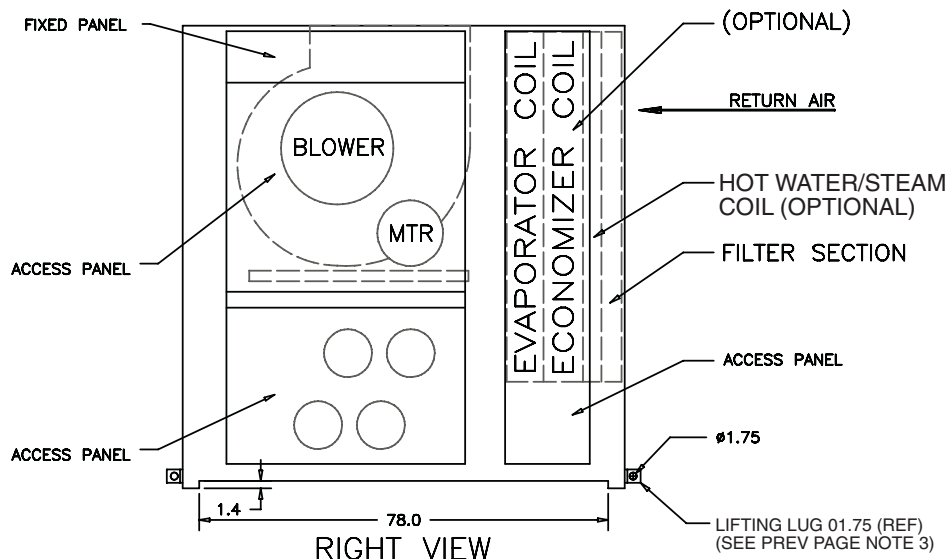
System control option — An additional control module is available to control operation of multiple units, tower and pumps, modulating exhaust fan, and building pressure. The control option provides a fully integrated system.

Base unit dimensions





FRONT VIEW

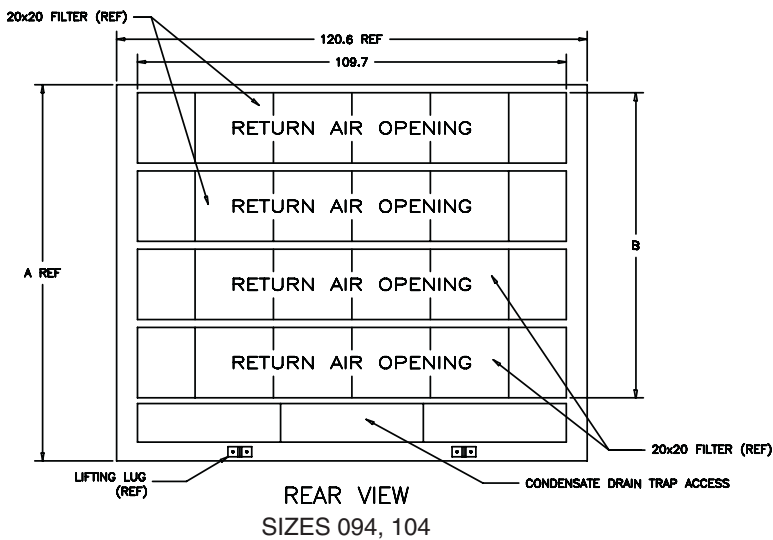
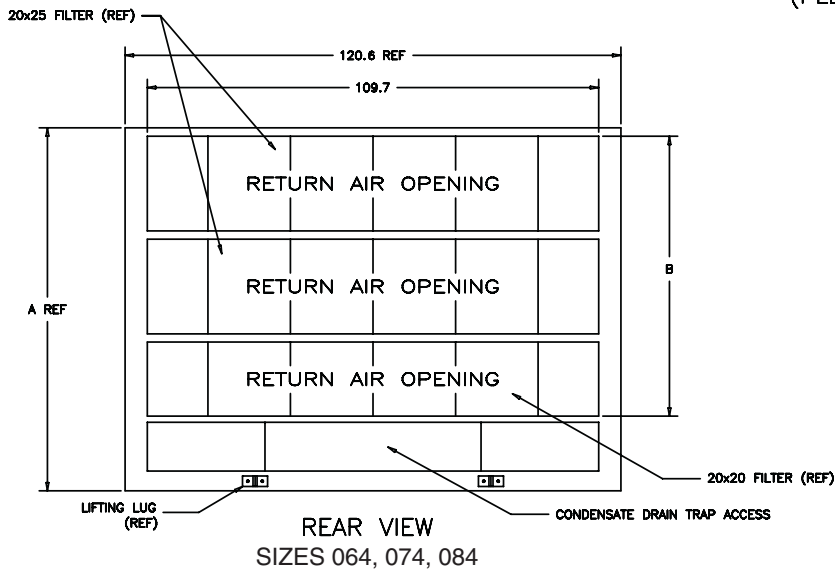
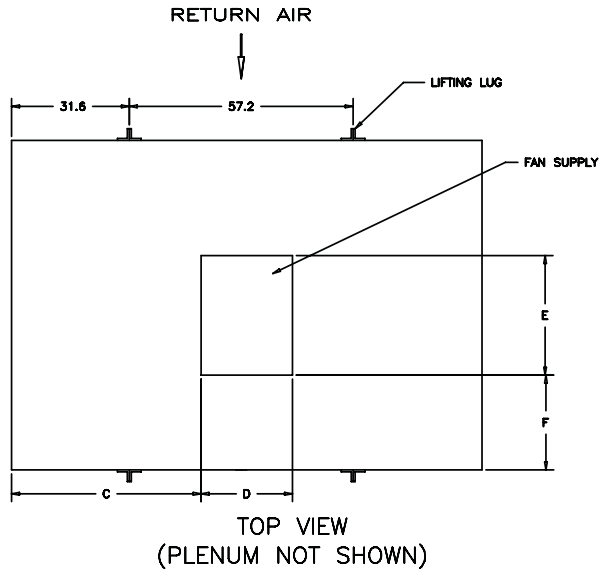
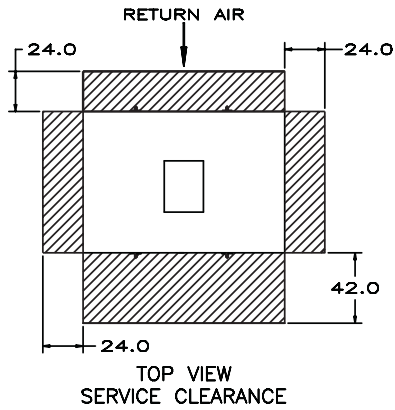


RIGHT VIEW

| DIMENSION | 50XJ064,074,084 | 50XJ094,104 |
|------------------------|-----------------------------|--------------|
| A | 88.0 | 96.0 |
| B | 67.6 | 77.6 |
| C | 47.2 | 44.3 |
| D | 26.2 | 31.8 |
| E | 31.2 | 34.5 |
| F | 24.8 | 23.8 |
| G | 32.0 | 32.0 |
| H | 22.3 | 21.4 |
| J | 11.5 | 9.5 |
| K | 4.7 | 4.7 |
| Filter Rows | 3 | 4 |
| Filter Size (Quantity) | 20 x 25 (12) 20 x 20 (6) | 20 x 20 (24) |

NOTE: All dimensions are in inches.

Base unit dimensions (cont)



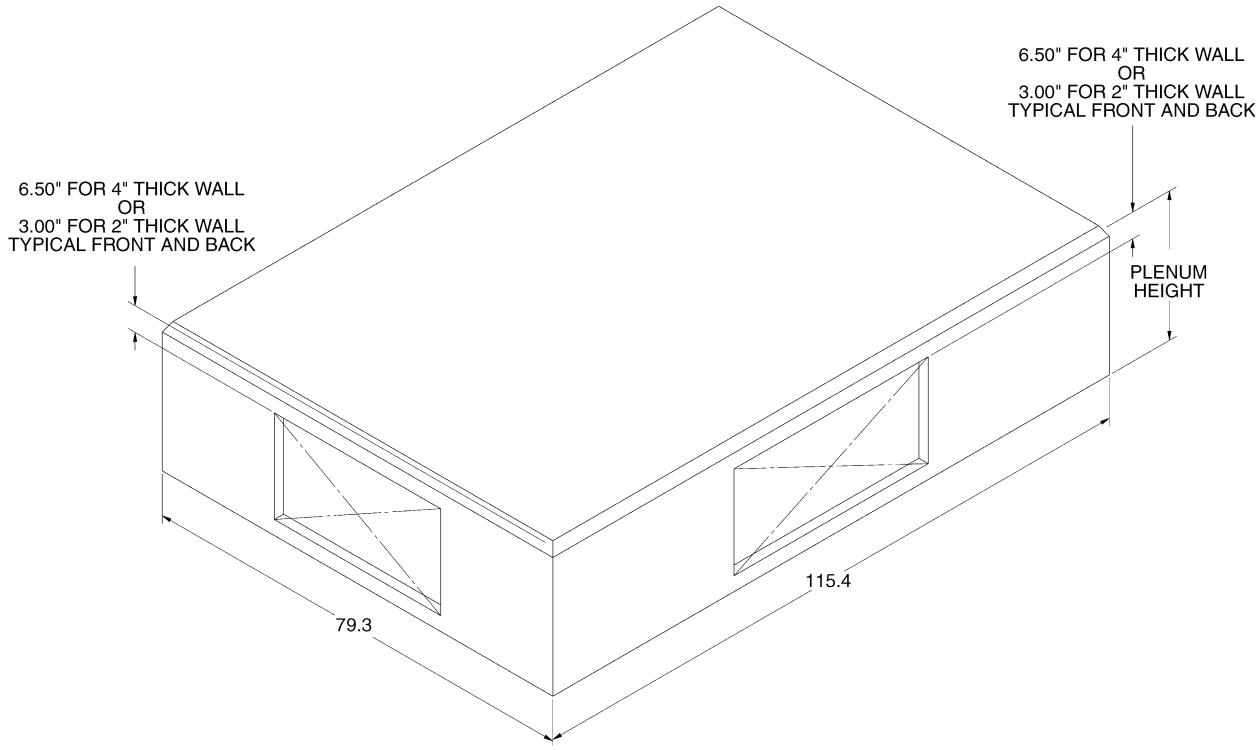
| DIMENSION | 50XJ064,074,084 | 50XJ094,104 |
|-------------------------------|-----------------------------|--------------|
| A | 88.0 | 96.0 |
| B | 67.6 | 77.6 |
| C | 47.2 | 44.3 |
| D | 26.2 | 31.8 |
| E | 31.2 | 34.5 |
| F | 24.8 | 23.8 |
| G | 32.0 | 32.0 |
| H | 22.3 | 21.4 |
| J | 11.5 | 9.5 |
| K | 4.7 | 4.7 |
| Filter Rows | 3 | 4 |
| Filter Size (Quantity) | 20 x 25 (12) 20 x 20 (6) | 20 x 20 (24) |

NOTE: All dimensions are in inches.

Accessory dimensions — plenum



| Position | FRONT OPENING | | | | BACK OPENING | | | | RIGHT SIDE OPENING | | | | LEFT SIDE OPENING | | | |
|----------|-----------------|--------------------------------|--|----------------------------|---|--|--|---|--|--|---|--|--|---|--|--|
| | 1 | 2 | 3 | 4 | 5 | 6 | 7 | 8 | 9 | 10 | 11 | 12 | 13 | 14 | 15 | 16 |
| Example | X | F | D | 2 | D | 6 | A | D | 0 | F | X | 0 | 0 | X | 0 | 0 |
| Meaning | 50XJ Plenum | Unit Size | Plenum Height | Wall Thickness | Duct Height | Duct Width in inches, up to plenum width less 8 inches. | | Duct Height | Duct Width in inches, up to plenum width less 8 inches. | | Duct Height | Duct Width in inches, up to plenum width less 8 inches. | | Duct Height | Duct Width in inches, up to plenum width less 8 inches. | |
| | X — 50XJ Plenum | F — 064/074/084 G — 094/104 | C — 22" D — 24" F — 28" J — 34" M — 40" P — 46" | 2 — 2" Wall 4 — 4" Wall | A — 12" B — 14" C — 16" D — 18" E — 20" F — 22" G — 24" H — 26" J — 28" K — 30" L — 32" M — 34" N — 36" X — None | 0 — 0" 1 — 16" 2 — 32" 3 — 48" 4 — 64" 5 — 80" 6 — 96" 7 — 112" | 0 — 0" 1 — 1" 2 — 2" 3 — 3" 4 — 4" 5 — 5" 6 — 6" 7 — 7" | A — 12" B — 14" C — 16" D — 18" E — 20" F — 22" G — 24" H — 26" J — 28" K — 30" L — 32" M — 34" N — 36" X — None | 0 — 0" 1 — 16" 2 — 32" 3 — 48" 4 — 64" 5 — 80" 6 — 96" 7 — 112" | 0 — 0" 1 — 1" 2 — 2" 3 — 3" 4 — 4" 5 — 5" 6 — 6" 7 — 7" | A — 12" B — 14" C — 16" D — 18" E — 20" F — 22" G — 24" H — 26" J — 28" K — 30" L — 32" M — 34" N — 36" X — None | 0 — 0" 1 — 16" 2 — 32" 3 — 48" 4 — 64" 5 — 80" 6 — 96" 7 — 112" | 0 — 0" 1 — 1" 2 — 2" 3 — 3" 4 — 4" 5 — 5" 6 — 6" 7 — 7" | A — 12" B — 14" C — 16" D — 18" E — 20" F — 22" G — 24" H — 26" J — 28" K — 30" L — 32" M — 34" N — 36" X — None | 0 — 0" 1 — 16" 2 — 32" 3 — 48" 4 — 64" 5 — 80" 6 — 96" 7 — 112" | 0 — 0" 1 — 1" 2 — 2" 3 — 3" 4 — 4" 5 — 5" 6 — 6" 7 — 7" |



Selection procedure



Use Carrier's VPACBuilder performance and selection software to perform unit selections at a variety of actual operating conditions. Performance at typical operating

conditions are incorporated in the following performance tables.

Performance data

GROSS COOLING CAPACITIES 50XJC064 WITH (4) 10 HP COMPRESSORS

| EWT (F) | GPM | BF | AIR ENTERING EVAPORATOR — CFM AT 80 F EDB | | | | | | | | | | | | | | |
|---------|-------|-------|---|-------|-------|-------|-------|--------|-------|-------|-------|-------|--------|-------|-------|-------|-------|
| | | | 15,200 | | | | | 19,000 | | | | | 23,000 | | | | |
| | | | Air Entering Evaporator — Ewb (F) | | | | | | | | | | | | | | |
| | | | 77 | 72 | 67 | 62 | 57 | 77 | 72 | 67 | 62 | 57 | 77 | 72 | 67 | 62 | 57 |
| 0.031 | 0.057 | 0.056 | 0.7 | 0.271 | 0.06 | 0.075 | 0.075 | 0.122 | 0.379 | 0.082 | 0.092 | 0.097 | 0.227 | 0.462 | | | |
| 65 | 100 | TC | 718 | 658 | 604 | 556 | 538 | 740 | 680 | 624 | 580 | 574 | 756 | 695 | 638 | 604 | 604 |
| | | SHC | 267 | 349 | 428 | 505 | 538 | 280 | 379 | 477 | 565 | 574 | 292 | 410 | 525 | 604 | 604 |
| | | LDB | 64.96 | 59.77 | 54.69 | 49.74 | 47.54 | 67.38 | 62.35 | 57.39 | 52.92 | 52.29 | 69.11 | 64.21 | 59.42 | 56.04 | 55.94 |
| | | LWB | 64.96 | 59.51 | 54.12 | 48.73 | 42.67 | 67.30 | 61.91 | 56.59 | 51.16 | 45.01 | 68.95 | 63.62 | 58.32 | 52.80 | 46.74 |
| | KW | 30.37 | 29.50 | 28.84 | 28.25 | 28.06 | 30.70 | 29.81 | 29.08 | 28.53 | 28.46 | 30.94 | 30.03 | 29.29 | 28.86 | 28.85 | |
| | 125 | TC | 723 | 663 | 607 | 559 | 540 | 747 | 685 | 628 | 583 | 577 | 762 | 700 | 643 | 607 | 607 |
| | | SHC | 269 | 350 | 430 | 507 | 540 | 282 | 381 | 479 | 567 | 577 | 294 | 412 | 527 | 607 | 607 |
| | | LDB | 64.85 | 59.67 | 54.59 | 49.66 | 47.42 | 67.29 | 62.27 | 57.31 | 52.82 | 52.15 | 69.03 | 64.14 | 59.35 | 55.92 | 55.81 |
| | | LWB | 64.85 | 59.41 | 54.04 | 48.65 | 42.61 | 67.21 | 61.83 | 56.51 | 51.09 | 44.94 | 68.87 | 63.54 | 58.25 | 52.74 | 46.67 |
| | KW | 29.33 | 28.55 | 27.89 | 27.38 | 27.17 | 29.67 | 28.85 | 28.15 | 27.65 | 27.59 | 29.91 | 29.06 | 28.35 | 27.95 | 27.94 | |
| | 150 | TC | 727 | 666 | 609 | 561 | 542 | 751 | 688 | 631 | 585 | 579 | 767 | 704 | 646 | 609 | 609 |
| | | SHC | 270 | 351 | 431 | 508 | 542 | 283 | 383 | 480 | 568 | 579 | 296 | 413 | 528 | 609 | 609 |
| LDB | | 64.78 | 59.60 | 54.53 | 49.61 | 47.33 | 67.23 | 62.21 | 57.26 | 52.77 | 52.06 | 68.98 | 64.09 | 59.30 | 55.84 | 55.73 | |
| LWB | | 64.78 | 59.35 | 53.99 | 48.60 | 42.57 | 67.15 | 61.77 | 56.46 | 51.04 | 44.90 | 68.82 | 63.50 | 58.21 | 52.71 | 46.64 | |
| KW | 28.69 | 27.94 | 27.29 | 26.80 | 26.61 | 29.03 | 28.25 | 27.55 | 27.06 | 27.00 | 29.25 | 28.44 | 27.75 | 27.34 | 27.33 | | |
| 175 | TC | 729 | 668 | 611 | 562 | 543 | 753 | 691 | 632 | 587 | 580 | 770 | 706 | 648 | 611 | 610 | |
| | SHC | 271 | 352 | 431 | 508 | 543 | 284 | 383 | 481 | 569 | 580 | 297 | 414 | 529 | 611 | 610 | |
| | LDB | 64.73 | 59.56 | 54.49 | 49.57 | 47.28 | 67.19 | 62.17 | 57.23 | 52.73 | 52.00 | 68.95 | 64.06 | 59.27 | 55.77 | 55.68 | |
| | LWB | 64.73 | 59.31 | 53.95 | 48.57 | 42.54 | 67.10 | 61.74 | 56.43 | 51.01 | 44.87 | 68.79 | 63.46 | 58.18 | 52.68 | 46.61 | |
| KW | 28.26 | 27.51 | 26.88 | 26.41 | 26.22 | 28.61 | 27.81 | 27.14 | 26.66 | 26.60 | 28.84 | 28.02 | 27.32 | 26.92 | 26.92 | | |
| 75 | 100 | TC | 698 | 641 | 587 | 541 | 526 | 719 | 660 | 606 | 564 | 561 | 733 | 674 | 620 | 589 | 589 |
| | | SHC | 260 | 342 | 421 | 498 | 526 | 273 | 372 | 470 | 555 | 561 | 285 | 403 | 517 | 589 | 589 |
| | | LDB | 65.35 | 60.16 | 55.09 | 50.19 | 48.28 | 67.71 | 62.69 | 57.74 | 53.35 | 52.95 | 69.38 | 64.49 | 59.72 | 56.63 | 56.53 |
| | | LWB | 65.33 | 59.89 | 54.52 | 49.13 | 43.04 | 67.61 | 62.24 | 56.92 | 51.48 | 45.32 | 69.21 | 63.88 | 58.59 | 53.04 | 47.01 |
| | KW | 33.12 | 32.35 | 31.67 | 31.15 | 31.00 | 33.43 | 32.61 | 31.90 | 31.39 | 31.35 | 33.65 | 32.82 | 32.11 | 31.74 | 31.73 | |
| | 125 | TC | 704 | 645 | 591 | 545 | 528 | 725 | 666 | 610 | 568 | 564 | 740 | 680 | 625 | 593 | 593 |
| | | SHC | 262 | 344 | 423 | 499 | 528 | 275 | 374 | 472 | 557 | 564 | 287 | 405 | 519 | 593 | 593 |
| | | LDB | 65.23 | 60.05 | 54.99 | 50.09 | 48.13 | 67.61 | 62.59 | 57.65 | 53.25 | 52.79 | 69.29 | 64.41 | 59.64 | 56.48 | 56.38 |
| | | LWB | 65.22 | 59.79 | 54.43 | 49.04 | 42.97 | 67.51 | 62.15 | 56.83 | 51.40 | 45.25 | 69.12 | 63.80 | 58.52 | 52.98 | 46.94 |
| | KW | 31.90 | 31.18 | 30.59 | 30.10 | 29.94 | 32.19 | 31.43 | 30.80 | 30.35 | 30.30 | 32.41 | 31.63 | 30.98 | 30.65 | 30.65 | |
| | 150 | TC | 708 | 649 | 593 | 547 | 530 | 730 | 670 | 613 | 570 | 566 | 745 | 684 | 628 | 596 | 595 |
| | | SHC | 263 | 345 | 424 | 501 | 530 | 277 | 376 | 473 | 559 | 566 | 289 | 406 | 520 | 596 | 595 |
| LDB | | 65.16 | 59.98 | 54.93 | 50.03 | 48.03 | 67.54 | 62.53 | 57.59 | 53.18 | 52.69 | 69.24 | 64.36 | 59.59 | 56.39 | 56.28 | |
| LWB | | 65.14 | 59.72 | 54.37 | 48.98 | 42.92 | 67.45 | 62.08 | 56.78 | 51.35 | 45.20 | 69.07 | 63.75 | 58.47 | 52.94 | 46.89 | |
| KW | 31.12 | 30.43 | 29.87 | 29.43 | 29.28 | 31.40 | 30.68 | 30.07 | 29.65 | 29.61 | 31.60 | 30.87 | 30.24 | 29.93 | 29.92 | | |
| 175 | TC | 711 | 651 | 595 | 548 | 531 | 733 | 672 | 615 | 572 | 567 | 748 | 687 | 630 | 597 | 597 | |
| | SHC | 264 | 346 | 425 | 501 | 531 | 278 | 377 | 474 | 560 | 567 | 290 | 407 | 521 | 597 | 597 | |
| | LDB | 65.10 | 59.94 | 54.88 | 49.98 | 47.96 | 67.49 | 62.49 | 57.55 | 53.14 | 52.63 | 69.20 | 64.32 | 59.55 | 56.32 | 56.22 | |
| | LWB | 65.09 | 59.67 | 54.32 | 48.94 | 42.88 | 67.40 | 62.04 | 56.74 | 51.32 | 45.17 | 69.03 | 63.72 | 58.44 | 52.91 | 46.86 | |
| KW | 30.56 | 29.91 | 29.37 | 28.97 | 28.81 | 30.85 | 30.15 | 29.56 | 29.17 | 29.13 | 31.05 | 30.32 | 29.73 | 29.43 | 29.42 | | |
| 85 | 100 | TC | 676 | 620 | 568 | 524 | 512 | 695 | 638 | 586 | 547 | 545 | 708 | 651 | 599 | 572 | 572 |
| | | SHC | 252 | 334 | 413 | 489 | 512 | 265 | 364 | 461 | 547 | 545 | 277 | 395 | 508 | 572 | 572 |
| | | LDB | 65.78 | 60.61 | 55.56 | 50.70 | 49.10 | 68.06 | 63.06 | 58.13 | 53.77 | 53.69 | 69.67 | 64.80 | 60.06 | 57.30 | 57.21 |
| | | LWB | 65.75 | 60.33 | 54.98 | 49.59 | 43.45 | 67.96 | 62.59 | 57.28 | 51.84 | 45.68 | 69.49 | 64.18 | 58.89 | 53.32 | 47.32 |
| | KW | 36.58 | 35.85 | 35.22 | 34.74 | 34.63 | 36.84 | 36.09 | 35.44 | 35.00 | 34.99 | 37.05 | 36.29 | 35.64 | 35.31 | 35.30 | |
| | 125 | TC | 683 | 625 | 572 | 528 | 515 | 702 | 644 | 591 | 551 | 549 | 716 | 658 | 604 | 576 | 576 |
| | | SHC | 255 | 336 | 415 | 491 | 515 | 267 | 366 | 463 | 547 | 549 | 280 | 397 | 510 | 576 | 576 |
| | | LDB | 65.65 | 60.49 | 55.44 | 50.59 | 48.92 | 67.95 | 62.95 | 58.02 | 53.77 | 53.52 | 69.58 | 64.71 | 59.96 | 57.14 | 57.04 |
| | | LWB | 65.63 | 60.22 | 54.87 | 49.49 | 43.36 | 67.85 | 62.50 | 57.19 | 51.75 | 45.60 | 69.41 | 64.10 | 58.82 | 53.25 | 47.25 |
| | KW | 35.06 | 34.44 | 33.91 | 33.50 | 33.42 | 35.29 | 34.64 | 34.09 | 33.72 | 33.70 | 35.51 | 34.80 | 34.26 | 33.98 | 33.97 | |
| | 150 | TC | 687 | 629 | 575 | 530 | 517 | 707 | 648 | 594 | 554 | 551 | 721 | 662 | 608 | 579 | 579 |
| | | SHC | 256 | 337 | 416 | 492 | 517 | 269 | 368 | 465 | 548 | 551 | 281 | 398 | 512 | 579 | 579 |
| LDB | | 65.57 | 60.41 | 55.37 | 50.51 | 48.81 | 67.88 | 62.88 | 57.96 | 53.72 | 53.41 | 69.52 | 64.65 | 59.91 | 57.04 | 56.94 | |
| LWB | | 65.55 | 60.14 | 54.80 | 49.43 | 43.30 | 67.79 | 62.43 | 57.13 | 51.69 | 45.54 | 69.35 | 64.04 | 58.77 | 53.21 | 47.20 | |
| KW | 34.16 | 33.50 | 33.04 | 32.69 | 32.62 | 34.39 | 33.72 | 33.19 | 32.88 | 32.85 | 34.58 | 33.89 | 33.33 | 33.09 | 33.09 | | |
| 175 | TC | 690 | 632 | 578 | 532 | 518 | 710 | 651 | 596 | 556 | 553 | 725 | 665 | 610 | 581 | 581 | |
| | SHC | 257 | 338 | 417 | 493 | 518 | 270 | 369 | 466 | 550 | 553 | 282 | 399 | 513 | 581 | 581 | |
| | LDB | 65.51 | 60.36 | 55.32 | 50.47 | 48.73 | 67.83 | 62.84 | 57.92 | 53.63 | 53.33 | 69.48 | 64.62 | 59.87 | 56.96 | 56.86 | |
| | LWB | 65.49 | 60.08 | 54.75 | 49.38 | 43.27 | 67.74 | 62.39 | 57.09 | 51.66 | 45.51 | 69.31 | 64.00 | 58.73 | 53.18 | 47.16 | |
| KW | 33.50 | 32.90 | 32.43 | 32.12 | 32.05 | 33.73 | 33.09 | 32.56 | 32.28 | 32.26 | 33.91 | 33.25 | 32.72 | 32.47 | 32.47 | | |

LEGEND

- BF — Bypass Factor
- EDB — Entering Dry Bulb (F)
- EWB — Entering Wet Bulb (F)
- EWT — Entering Water Temperature (F)
- kW — Compressor Motor Power Input (kilowatts)
- LDB — Leaving Dry Bulb (F)
- LWB — Leaving Wet Bulb (F)
- SHC — Sensible Capacity (1000 Btu/hr)
- TC — Total Capacity (1000 Btu/hr)

Performance data (cont)



GROSS COOLING CAPACITIES (cont)

50XJC064 WITH (4) 10 HP COMPRESSORS (cont)

| EWT (F) | GPM | BF | AIR ENTERING EVAPORATOR — CFM AT 80 F EDB | | | | | | | | | | | | | | |
|---------|-------|-------|---|-------|-------|-------|-------|--------|-------|-------|-------|-------|--------|-------|-------|-------|-------|
| | | | 15,200 | | | | | 19,000 | | | | | 23,000 | | | | |
| | | | Air Entering Evaporator — Ewb (F) | | | | | | | | | | | | | | |
| | | | 77 | 72 | 67 | 62 | 57 | 77 | 72 | 67 | 62 | 57 | 77 | 72 | 67 | 62 | 57 |
| 0.031 | 0.057 | 0.056 | 0.7 | 0.271 | 0.06 | 0.075 | 0.075 | 0.122 | 0.379 | 0.082 | 0.092 | 0.097 | 0.227 | 0.462 | | | |
| 95 | 100 | TC | 651 | 597 | 547 | 506 | 497 | 669 | 614 | 564 | 529 | 529 | 681 | 627 | 577 | 554 | 553 |
| | | SHC | 244 | 325 | 404 | 480 | 497 | 256 | 355 | 452 | 529 | 529 | 269 | 386 | 498 | 554 | 553 |
| | | LDB | 66.25 | 61.10 | 56.07 | 51.25 | 50.04 | 68.44 | 63.45 | 58.55 | 54.59 | 54.49 | 69.99 | 65.12 | 60.43 | 58.04 | 57.94 |
| | 125 | LWB | 66.22 | 60.81 | 55.47 | 50.08 | 43.91 | 68.33 | 62.98 | 57.67 | 52.19 | 46.06 | 69.80 | 64.49 | 59.21 | 53.63 | 47.66 |
| | | KW | 40.71 | 39.94 | 39.29 | 38.77 | 38.68 | 40.98 | 40.19 | 39.52 | 39.11 | 39.11 | 41.20 | 40.42 | 39.75 | 39.42 | 39.41 |
| | | TC | 658 | 603 | 552 | 510 | 500 | 676 | 621 | 569 | 533 | 532 | 689 | 634 | 583 | 558 | 558 |
| | 150 | SHC | 246 | 328 | 407 | 482 | 500 | 259 | 358 | 455 | 533 | 532 | 271 | 388 | 501 | 558 | 558 |
| | | LDB | 66.12 | 60.97 | 55.94 | 51.14 | 49.85 | 68.33 | 63.34 | 58.43 | 54.40 | 54.31 | 69.89 | 65.04 | 60.32 | 57.87 | 57.77 |
| | | LWB | 66.09 | 60.69 | 55.36 | 49.97 | 43.82 | 68.22 | 62.88 | 57.58 | 52.11 | 45.97 | 69.71 | 64.41 | 59.13 | 53.55 | 47.58 |
| | 175 | KW | 39.05 | 38.41 | 37.85 | 37.43 | 37.34 | 39.28 | 38.61 | 38.05 | 37.71 | 37.69 | 39.47 | 38.79 | 38.24 | 37.95 | 37.95 |
| | | TC | 663 | 607 | 555 | 512 | 502 | 681 | 625 | 572 | 536 | 535 | 695 | 638 | 586 | 561 | 561 |
| | | SHC | 248 | 329 | 408 | 483 | 502 | 261 | 359 | 456 | 536 | 535 | 273 | 390 | 503 | 561 | 561 |
| 95 | 150 | LDB | 66.03 | 60.89 | 55.86 | 51.06 | 49.72 | 68.26 | 63.27 | 58.37 | 54.28 | 54.19 | 69.83 | 64.98 | 60.26 | 57.75 | 57.66 |
| | | LWB | 66.00 | 60.61 | 55.28 | 49.90 | 43.76 | 68.15 | 62.81 | 57.52 | 52.06 | 45.92 | 69.65 | 64.35 | 59.08 | 53.51 | 47.53 |
| | | KW | 37.95 | 37.38 | 36.90 | 36.55 | 36.48 | 38.16 | 37.56 | 37.07 | 36.78 | 36.77 | 38.34 | 37.72 | 37.23 | 36.98 | 36.98 |
| 105 | 175 | TC | 666 | 610 | 557 | 514 | 504 | 685 | 628 | 575 | 538 | 537 | 698 | 641 | 589 | 563 | 563 |
| | | SHC | 249 | 330 | 409 | 484 | 504 | 262 | 360 | 457 | 538 | 537 | 274 | 391 | 504 | 563 | 563 |
| | | LDB | 65.97 | 60.83 | 55.81 | 51.01 | 49.63 | 68.20 | 63.22 | 58.32 | 54.19 | 54.11 | 69.79 | 64.94 | 60.22 | 57.67 | 57.58 |
| 105 | 100 | LWB | 65.94 | 60.55 | 55.23 | 49.86 | 43.71 | 68.10 | 62.76 | 57.47 | 52.02 | 45.88 | 69.61 | 64.31 | 59.04 | 53.47 | 47.49 |
| | | KW | 37.17 | 36.65 | 36.24 | 35.92 | 35.86 | 37.36 | 36.82 | 36.38 | 36.12 | 36.11 | 37.51 | 36.96 | 36.52 | 36.31 | 36.30 |
| | | TC | 625 | 573 | 525 | 486 | 480 | 641 | 589 | 541 | 511 | 510 | 653 | 601 | 552 | 534 | 534 |
| 105 | 125 | SHC | 235 | 316 | 395 | 469 | 480 | 247 | 346 | 442 | 511 | 510 | 260 | 376 | 488 | 534 | 534 |
| | | LDB | 66.75 | 61.64 | 56.61 | 51.89 | 51.06 | 68.84 | 63.87 | 59.00 | 55.49 | 55.39 | 70.32 | 65.48 | 60.83 | 58.83 | 58.73 |
| | | LWB | 66.71 | 61.32 | 55.99 | 50.60 | 44.41 | 68.72 | 63.39 | 58.09 | 52.57 | 46.48 | 70.12 | 64.83 | 59.57 | 53.95 | 48.03 |
| 105 | 150 | KW | 45.34 | 44.52 | 43.81 | 43.25 | 43.18 | 45.64 | 44.80 | 44.09 | 43.64 | 43.64 | 45.88 | 45.03 | 44.28 | 44.01 | 44.00 |
| | | TC | 632 | 579 | 530 | 490 | 483 | 649 | 595 | 546 | 515 | 514 | 661 | 607 | 558 | 539 | 538 |
| | | SHC | 238 | 319 | 397 | 471 | 483 | 250 | 349 | 445 | 515 | 514 | 262 | 379 | 491 | 539 | 538 |
| 105 | 175 | LDB | 66.62 | 61.49 | 56.47 | 51.75 | 50.85 | 68.73 | 63.76 | 58.88 | 55.30 | 55.20 | 70.22 | 65.38 | 60.72 | 58.65 | 58.56 |
| | | LWB | 66.58 | 61.20 | 55.88 | 50.49 | 44.31 | 68.61 | 63.28 | 57.99 | 52.49 | 46.39 | 70.03 | 64.74 | 59.48 | 53.88 | 47.94 |
| | | KW | 43.55 | 42.86 | 42.26 | 41.81 | 41.73 | 43.79 | 43.10 | 42.49 | 42.12 | 42.12 | 44.00 | 43.30 | 42.67 | 42.42 | 42.41 |
| 105 | 100 | TC | 637 | 583 | 533 | 493 | 486 | 654 | 600 | 550 | 517 | 517 | 666 | 612 | 562 | 542 | 541 |
| | | SHC | 239 | 320 | 399 | 473 | 486 | 252 | 350 | 446 | 517 | 517 | 264 | 381 | 492 | 542 | 541 |
| | | LDB | 66.53 | 61.40 | 56.39 | 51.67 | 50.72 | 68.65 | 63.68 | 58.80 | 55.17 | 55.07 | 70.16 | 65.32 | 60.66 | 58.53 | 58.43 |
| 105 | 125 | LWB | 66.49 | 61.11 | 55.80 | 50.42 | 44.25 | 68.54 | 63.21 | 57.93 | 52.43 | 46.33 | 69.97 | 64.68 | 59.42 | 53.83 | 47.89 |
| | | KW | 42.36 | 41.75 | 41.25 | 40.87 | 40.80 | 42.58 | 41.96 | 41.44 | 41.13 | 41.13 | 42.76 | 42.14 | 41.60 | 41.37 | 41.37 |
| | | TC | 640 | 586 | 535 | 495 | 487 | 658 | 603 | 552 | 519 | 519 | 670 | 615 | 565 | 544 | 543 |
| 105 | 150 | SHC | 240 | 321 | 400 | 474 | 487 | 253 | 351 | 448 | 519 | 519 | 265 | 382 | 494 | 544 | 543 |
| | | LDB | 66.46 | 61.34 | 56.33 | 51.61 | 50.62 | 68.60 | 63.64 | 58.76 | 55.08 | 54.97 | 70.11 | 65.28 | 60.61 | 58.44 | 58.35 |
| | | LWB | 66.43 | 61.05 | 55.74 | 50.37 | 44.20 | 68.49 | 63.16 | 57.89 | 52.40 | 46.29 | 69.93 | 64.64 | 59.38 | 53.79 | 47.85 |
| 105 | 175 | KW | 41.51 | 40.97 | 40.52 | 40.18 | 40.12 | 41.71 | 41.15 | 40.70 | 40.42 | 40.42 | 41.87 | 41.31 | 40.84 | 40.63 | 40.63 |

LEGEND

- BF — Bypass Factor
- EDB — Entering Dry Bulb (F)
- EWB — Entering Wet Bulb (F)
- EWT — Entering Water Temperature (F)
- kW — Compressor Motor Power Input (kilowatts)
- LDB — Leaving Dry Bulb (F)
- LWB — Leaving Wet Bulb (F)
- SHC — Sensible Capacity (1000 Btu/hr)
- TC — Total Capacity (1000 Btu/hr)

Performance data (cont)



GROSS COOLING CAPACITIES (cont)

50XJE064 WITH (2) 10 HP COMPRESSORS AND (2) 13 HP COMPRESSORS

| EWT (F) | GPM | BF | AIR ENTERING EVAPORATOR — CFM AT 80 F EDB | | | | | | | | | | | | | | |
|---------|------|-------|---|-------|-------|-------|-------|--------|-------|-------|-------|-------|--------|-------|-------|-------|-------|
| | | | 15,200 | | | | | 19,000 | | | | | 23,000 | | | | |
| | | | Air Entering Evaporator — Ewb (F) | | | | | | | | | | | | | | |
| | | | 77 | 72 | 67 | 62 | 57 | 77 | 72 | 67 | 62 | 57 | 77 | 72 | 67 | 62 | 57 |
| 0.001 | 0.56 | 0.056 | 0.063 | 0.225 | 0.053 | 0.074 | 0.073 | 0.101 | 0.337 | 0.077 | 0.091 | 0.093 | 0.172 | 0.423 | | | |
| 65 | 115 | TC | 776 | 712 | 651 | 599 | 573 | 803 | 737 | 676 | 626 | 613 | 822 | 755 | 693 | 647 | 645 |
| | | SHC | 287 | 369 | 449 | 527 | 573 | 301 | 401 | 499 | 591 | 613 | 314 | 432 | 548 | 647 | 645 |
| | | LDB | 63.82 | 58.57 | 53.47 | 48.47 | 45.46 | 66.43 | 61.37 | 56.38 | 51.69 | 50.42 | 68.31 | 63.39 | 58.54 | 54.33 | 54.27 |
| | 144 | LWB | 63.82 | 58.35 | 52.95 | 47.58 | 41.62 | 66.37 | 60.96 | 55.61 | 50.21 | 44.09 | 68.17 | 62.81 | 57.51 | 52.07 | 45.95 |
| | | KW | 33.19 | 32.27 | 31.52 | 30.91 | 30.68 | 33.66 | 32.64 | 31.86 | 31.25 | 31.11 | 33.88 | 32.90 | 32.10 | 31.53 | 31.49 |
| | | TC | 782 | 716 | 655 | 602 | 575 | 809 | 743 | 680 | 629 | 616 | 829 | 761 | 698 | 651 | 649 |
| | 173 | SHC | 289 | 371 | 451 | 528 | 575 | 303 | 403 | 501 | 592 | 616 | 316 | 434 | 550 | 651 | 649 |
| | | LDB | 63.70 | 58.47 | 53.38 | 48.39 | 45.34 | 66.34 | 61.28 | 56.29 | 51.60 | 50.28 | 68.22 | 63.31 | 58.46 | 54.20 | 54.14 |
| | | LWB | 63.70 | 58.24 | 52.86 | 47.50 | 41.55 | 66.28 | 60.87 | 55.53 | 50.13 | 44.03 | 68.09 | 62.74 | 57.43 | 52.02 | 45.88 |
| | 201 | KW | 32.07 | 31.25 | 30.56 | 29.99 | 29.74 | 32.46 | 31.60 | 30.87 | 30.32 | 30.17 | 32.76 | 31.86 | 31.09 | 30.55 | 30.54 |
| | | TC | 786 | 719 | 658 | 603 | 576 | 813 | 746 | 683 | 631 | 618 | 834 | 765 | 701 | 654 | 651 |
| | | SHC | 290 | 372 | 452 | 529 | 576 | 304 | 404 | 502 | 594 | 618 | 318 | 436 | 551 | 649 | 651 |
| 75 | 115 | LDB | 63.63 | 58.40 | 53.32 | 48.33 | 45.25 | 66.28 | 61.23 | 56.24 | 51.55 | 50.20 | 68.17 | 63.25 | 58.42 | 54.29 | 54.05 |
| | | LWB | 63.63 | 58.18 | 52.80 | 47.44 | 41.51 | 66.22 | 60.82 | 55.48 | 50.09 | 43.99 | 68.03 | 62.69 | 57.39 | 51.96 | 45.84 |
| | | KW | 31.39 | 30.60 | 29.91 | 29.38 | 29.14 | 31.76 | 30.94 | 30.22 | 29.68 | 29.54 | 32.05 | 31.18 | 30.44 | 29.92 | 29.89 |
| 144 | TC | 788 | 721 | 659 | 605 | 577 | 816 | 748 | 685 | 633 | 619 | 837 | 768 | 703 | 657 | 652 | |
| | SHC | 291 | 373 | 452 | 530 | 577 | 305 | 405 | 503 | 594 | 619 | 319 | 436 | 552 | 645 | 652 | |
| | LDB | 63.58 | 58.36 | 53.28 | 48.29 | 45.20 | 66.23 | 61.19 | 56.21 | 51.52 | 50.15 | 68.13 | 63.22 | 58.38 | 54.42 | 54.00 | |
| 173 | LWB | 63.58 | 58.13 | 52.76 | 47.41 | 41.48 | 66.18 | 60.78 | 55.45 | 50.06 | 43.96 | 68.00 | 62.65 | 57.36 | 51.92 | 45.82 | |
| | KW | 30.94 | 30.14 | 29.49 | 28.97 | 28.74 | 31.31 | 30.47 | 29.77 | 29.26 | 29.12 | 31.61 | 30.74 | 29.99 | 29.48 | 29.46 | |
| | TC | 755 | 692 | 634 | 583 | 560 | 781 | 717 | 657 | 608 | 599 | 798 | 733 | 673 | 631 | 630 | |
| 75 | 115 | SHC | 280 | 362 | 441 | 519 | 560 | 293 | 393 | 491 | 582 | 599 | 306 | 424 | 539 | 631 | 630 |
| | | LDB | 64.24 | 59.02 | 53.92 | 48.94 | 46.25 | 66.78 | 61.73 | 56.75 | 52.12 | 51.10 | 68.60 | 63.69 | 58.86 | 54.97 | 54.89 |
| | | LWB | 64.24 | 58.78 | 53.39 | 48.01 | 42.02 | 66.71 | 61.31 | 55.97 | 50.57 | 44.43 | 68.46 | 63.11 | 57.81 | 52.34 | 46.24 |
| 144 | KW | 36.24 | 35.40 | 34.67 | 34.17 | 33.95 | 36.63 | 35.77 | 35.01 | 34.44 | 34.36 | 36.89 | 35.99 | 35.21 | 34.69 | 34.68 | |
| | TC | 761 | 697 | 638 | 586 | 562 | 787 | 723 | 662 | 612 | 602 | 805 | 740 | 678 | 635 | 634 | |
| | SHC | 282 | 364 | 443 | 521 | 562 | 296 | 395 | 493 | 583 | 602 | 309 | 426 | 542 | 635 | 634 | |
| 173 | LDB | 64.11 | 58.90 | 53.82 | 48.84 | 46.10 | 66.67 | 61.63 | 56.65 | 52.03 | 50.94 | 68.51 | 63.61 | 58.77 | 54.82 | 54.74 | |
| | LWB | 64.11 | 58.66 | 53.29 | 47.92 | 41.94 | 66.61 | 61.21 | 55.88 | 50.48 | 44.35 | 68.37 | 63.02 | 57.73 | 52.28 | 46.17 | |
| | KW | 34.93 | 34.17 | 33.54 | 33.03 | 32.80 | 35.30 | 34.51 | 33.83 | 33.30 | 33.22 | 35.55 | 34.71 | 34.01 | 33.55 | 33.53 | |
| 85 | 115 | TC | 765 | 701 | 641 | 588 | 564 | 792 | 726 | 665 | 615 | 604 | 810 | 744 | 682 | 638 | 636 |
| | | SHC | 283 | 365 | 444 | 522 | 564 | 297 | 397 | 494 | 585 | 604 | 310 | 428 | 543 | 638 | 636 |
| | | LDB | 64.03 | 58.83 | 53.74 | 48.77 | 46.00 | 66.61 | 61.56 | 56.59 | 51.96 | 50.84 | 68.45 | 63.55 | 58.72 | 54.72 | 54.65 |
| 144 | LWB | 64.03 | 58.59 | 53.22 | 47.86 | 41.89 | 66.54 | 61.15 | 55.82 | 50.43 | 44.30 | 68.31 | 62.97 | 57.68 | 52.24 | 46.13 | |
| | KW | 34.11 | 33.37 | 32.77 | 32.31 | 32.11 | 34.44 | 33.70 | 33.05 | 32.56 | 32.48 | 34.69 | 33.90 | 33.22 | 32.78 | 32.77 | |
| | TC | 768 | 703 | 642 | 590 | 565 | 795 | 729 | 667 | 617 | 606 | 814 | 747 | 684 | 639 | 638 | |
| 173 | SHC | 284 | 366 | 445 | 522 | 565 | 298 | 398 | 495 | 586 | 606 | 311 | 429 | 544 | 639 | 638 | |
| | LDB | 63.98 | 58.77 | 53.71 | 48.73 | 45.93 | 66.56 | 61.52 | 56.55 | 51.92 | 50.77 | 68.41 | 63.51 | 58.68 | 54.66 | 54.58 | |
| | LWB | 63.98 | 58.54 | 53.18 | 47.82 | 41.86 | 66.49 | 61.10 | 55.78 | 50.40 | 44.27 | 68.27 | 62.93 | 57.65 | 52.21 | 46.09 | |
| 85 | 115 | KW | 33.53 | 32.83 | 32.27 | 31.83 | 31.63 | 33.87 | 33.13 | 32.52 | 32.07 | 32.00 | 34.11 | 33.33 | 32.69 | 32.27 | 32.26 |
| | | TC | 731 | 671 | 614 | 565 | 545 | 755 | 693 | 635 | 589 | 583 | 771 | 709 | 651 | 614 | 613 |
| | | SHC | 272 | 353 | 433 | 510 | 545 | 285 | 384 | 482 | 571 | 583 | 297 | 415 | 530 | 614 | 613 |
| 144 | LDB | 64.70 | 59.50 | 54.42 | 49.46 | 47.13 | 67.16 | 62.13 | 57.17 | 52.61 | 51.89 | 68.92 | 64.03 | 59.22 | 55.67 | 55.58 | |
| | LWB | 64.70 | 59.25 | 53.87 | 48.48 | 42.46 | 67.09 | 61.70 | 56.37 | 50.96 | 44.81 | 68.77 | 63.43 | 58.14 | 52.64 | 46.56 | |
| | KW | 40.10 | 39.32 | 38.66 | 38.16 | 37.93 | 40.44 | 39.63 | 38.93 | 38.39 | 38.33 | 40.67 | 39.84 | 39.12 | 38.71 | 38.69 | |
| 173 | TC | 738 | 676 | 619 | 569 | 548 | 762 | 699 | 641 | 594 | 586 | 779 | 715 | 656 | 618 | 617 | |
| | SHC | 274 | 355 | 435 | 512 | 548 | 287 | 387 | 484 | 573 | 586 | 300 | 417 | 532 | 618 | 617 | |
| | LDB | 64.57 | 59.37 | 54.30 | 49.35 | 46.96 | 67.05 | 62.03 | 57.06 | 52.51 | 51.72 | 68.83 | 63.94 | 59.12 | 55.51 | 55.41 | |
| 85 | 115 | LWB | 64.57 | 59.12 | 53.76 | 48.39 | 42.38 | 66.97 | 61.59 | 56.27 | 50.87 | 44.73 | 68.68 | 63.34 | 58.06 | 52.57 | 46.49 |
| | | KW | 38.48 | 37.82 | 37.27 | 36.84 | 36.64 | 38.79 | 38.09 | 37.49 | 37.05 | 36.99 | 38.99 | 38.27 | 37.66 | 37.30 | 37.29 |
| | | TC | 742 | 680 | 622 | 571 | 550 | 767 | 704 | 644 | 596 | 589 | 784 | 720 | 660 | 620 | 619 |
| 144 | SHC | 275 | 357 | 436 | 513 | 550 | 289 | 388 | 486 | 575 | 589 | 302 | 419 | 534 | 620 | 619 | |
| | LDB | 64.48 | 59.29 | 54.22 | 49.28 | 46.84 | 66.98 | 61.95 | 56.99 | 52.43 | 51.60 | 68.76 | 63.88 | 59.06 | 55.41 | 55.31 | |
| | LWB | 64.48 | 59.05 | 53.69 | 48.32 | 42.32 | 66.90 | 61.52 | 56.21 | 50.82 | 44.67 | 68.61 | 63.29 | 58.00 | 52.53 | 46.44 | |
| 173 | KW | 37.47 | 36.82 | 36.34 | 35.98 | 35.82 | 37.80 | 37.07 | 36.54 | 36.16 | 36.11 | 38.00 | 37.26 | 36.68 | 36.37 | 36.36 | |
| | TC | 745 | 682 | 624 | 573 | 551 | 771 | 706 | 646 | 598 | 590 | 788 | 723 | 663 | 622 | 621 | |
| | SHC | 276 | 358 | 437 | 514 | 551 | 290 | 389 | 487 | 576 | 590 | 303 | 420 | 535 | 622 | 621 | |
| 85 | 115 | LDB | 64.42 | 59.24 | 54.17 | 49.23 | 46.76 | 66.92 | 61.90 | 56.95 | 52.38 | 51.53 | 68.72 | 63.83 | 59.02 | 55.33 | 55.24 |
| | | LWB | 64.42 | 58.99 | 53.64 | 48.28 | 42.28 | 66.85 | 61.48 | 56.17 | 50.78 | 44.63 | 68.57 | 63.25 | 57.96 | 52.50 | 46.40 |
| | | KW | 36.80 | 36.14 | 35.71 | 35.39 | 35.24 | 37.11 | 36.43 | 35.89 | 35.55 | 35.50 | 37.31 | 36.60 | 36.01 | 35.73 | 35.73 |

LEGEND

- BF — Bypass Factor
- EDB — Entering Dry Bulb (F)
- EWB — Entering Wet Bulb (F)
- EWT — Entering Water Temperature (F)
- kW — Compressor Motor Power Input (kilowatts)
- LDB — Leaving Dry Bulb (F)
- LWB — Leaving Wet Bulb (F)
- SHC — Sensible Capacity (1000 Btu/hr)
- TC — Total Capacity (1000 Btu/hr)



GROSS COOLING CAPACITIES (cont)

50XJE064 WITH (2) 10 HP COMPRESSORS AND (2) 13 HP COMPRESSORS (cont)

| EWT (F) | GPM | BF | AIR ENTERING EVAPORATOR — CFM AT 80 F EDB | | | | | | | | | | | | | | | |
|---------|------|-------|---|-------|-------|-------|-------|--------|-------|-------|-------|-------|--------|-------|-------|-------|-------|-------|
| | | | 15,200 | | | | | 19,000 | | | | | 23,000 | | | | | |
| | | | Air Entering Evaporator — Ewb (F) | | | | | | | | | | | | | | | |
| | | | 77 | 72 | 67 | 62 | 57 | 77 | 72 | 67 | 62 | 57 | 77 | 72 | 67 | 62 | 57 | |
| 0.001 | 0.56 | 0.056 | 0.063 | 0.225 | 0.053 | 0.074 | 0.073 | 0.101 | 0.337 | 0.077 | 0.091 | 0.093 | 0.172 | 0.423 | | | | |
| 95 | 115 | TC | 706 | 647 | 592 | 545 | 529 | 727 | 667 | 612 | 569 | 565 | 742 | 682 | 627 | 594 | 594 | |
| | | SHC | 263 | 344 | 423 | 500 | 529 | 276 | 375 | 472 | 559 | 565 | 288 | 406 | 520 | 594 | 594 | |
| | | LDB | 65.20 | 60.02 | 54.96 | 50.05 | 48.08 | 67.58 | 62.57 | 57.63 | 53.18 | 52.75 | 69.27 | 64.38 | 59.61 | 56.44 | 56.34 | |
| | 144 | TC | 713 | 653 | 597 | 549 | 532 | 735 | 674 | 617 | 573 | 569 | 750 | 689 | 632 | 599 | 598 | |
| | | SHC | 265 | 346 | 426 | 502 | 532 | 278 | 377 | 475 | 562 | 569 | 291 | 408 | 522 | 599 | 598 | |
| | | LDB | 65.06 | 59.89 | 54.82 | 49.92 | 47.90 | 67.46 | 62.45 | 57.50 | 53.06 | 52.57 | 69.17 | 64.29 | 59.50 | 56.27 | 56.17 | |
| | 173 | TC | 717 | 657 | 601 | 552 | 534 | 740 | 678 | 621 | 576 | 571 | 756 | 694 | 636 | 602 | 601 | |
| | | SHC | 267 | 348 | 427 | 504 | 534 | 280 | 379 | 476 | 563 | 571 | 292 | 410 | 524 | 602 | 601 | |
| | | LDB | 64.97 | 59.80 | 54.74 | 49.84 | 47.77 | 67.39 | 62.38 | 57.43 | 52.98 | 52.45 | 69.11 | 64.23 | 59.44 | 56.15 | 56.05 | |
| | 105 | 115 | TC | 677 | 621 | 569 | 524 | 512 | 697 | 640 | 587 | 547 | 546 | 711 | 653 | 601 | 573 | 572 |
| | | | SHC | 253 | 334 | 413 | 489 | 512 | 266 | 365 | 461 | 547 | 546 | 278 | 395 | 508 | 573 | 572 |
| | | | LDB | 65.74 | 60.58 | 55.55 | 50.69 | 49.13 | 68.02 | 63.03 | 58.11 | 53.76 | 53.68 | 69.64 | 64.78 | 60.04 | 57.29 | 57.19 |
| 144 | | TC | 685 | 627 | 574 | 528 | 515 | 705 | 647 | 592 | 551 | 550 | 719 | 661 | 607 | 577 | 577 | |
| | | SHC | 256 | 337 | 416 | 491 | 515 | 268 | 367 | 464 | 551 | 550 | 281 | 398 | 511 | 577 | 577 | |
| | | LDB | 65.60 | 60.45 | 55.41 | 50.56 | 48.92 | 67.90 | 62.91 | 57.98 | 53.55 | 53.49 | 69.54 | 64.67 | 59.92 | 57.10 | 57.00 | |
| 173 | | TC | 690 | 632 | 577 | 531 | 518 | 710 | 651 | 596 | 555 | 552 | 725 | 666 | 611 | 581 | 580 | |
| | | SHC | 257 | 338 | 417 | 493 | 518 | 270 | 369 | 466 | 550 | 552 | 283 | 400 | 513 | 581 | 580 | |
| | | LDB | 65.50 | 60.36 | 55.32 | 50.47 | 48.78 | 67.82 | 62.83 | 57.91 | 53.62 | 53.36 | 69.47 | 64.61 | 59.85 | 56.98 | 56.88 | |
| 201 | | TC | 693 | 634 | 579 | 533 | 519 | 714 | 654 | 599 | 557 | 554 | 729 | 669 | 613 | 583 | 582 | |
| | | SHC | 259 | 339 | 418 | 494 | 519 | 271 | 370 | 467 | 551 | 554 | 284 | 401 | 515 | 583 | 582 | |
| | | LDB | 65.43 | 60.29 | 55.27 | 50.41 | 48.69 | 67.77 | 62.78 | 57.86 | 53.55 | 53.28 | 69.42 | 64.56 | 59.81 | 56.89 | 56.79 | |

LEGEND

- BF** — Bypass Factor
- EDB** — Entering Dry Bulb (F)
- EWB** — Entering Wet Bulb (F)
- EWT** — Entering Water Temperature (F)
- kW** — Compressor Motor Power Input (kilowatts)
- LDB** — Leaving Dry Bulb (F)
- LWB** — Leaving Wet Bulb (F)
- SHC** — Sensible Capacity (1000 Btu/hr)
- TC** — Total Capacity (1000 Btu/hr)

Performance data (cont)



GROSS COOLING CAPACITIES (cont) 50XJF064 WITH (4) 13 HP COMPRESSORS

| EWT (F) | GPM | BF | AIR ENTERING EVAPORATOR — CFM AT 80 F EDB | | | | | | | | | | | | | | |
|---------|-------|-------|---|-------|-------|-------|-------|--------|-------|-------|-------|-------|--------|-------|-------|-------|-------|
| | | | 15,200 | | | | | 19,000 | | | | | 23,000 | | | | |
| | | | Air Entering Evaporator — Ewb (F) | | | | | | | | | | | | | | |
| | | | 77 | 72 | 67 | 62 | 57 | 77 | 72 | 67 | 62 | 57 | 77 | 72 | 67 | 62 | 57 |
| 0.001 | 0.055 | 0.055 | 0.059 | 0.181 | 0.043 | 0.073 | 0.072 | 0.09 | 0.297 | 0.071 | 0.09 | 0.09 | 0.138 | 0.388 | | | |
| 65 | 130 | TC | 832 | 762 | 697 | 639 | 604 | 862 | 791 | 725 | 669 | 649 | 885 | 813 | 746 | 693 | 685 |
| | | SHC | 306 | 389 | 469 | 547 | 604 | 321 | 421 | 519 | 613 | 649 | 335 | 453 | 570 | 673 | 685 |
| | | LDB | 62.71 | 57.42 | 52.30 | 47.27 | 43.59 | 65.51 | 60.43 | 55.42 | 50.62 | 48.71 | 67.54 | 62.59 | 57.70 | 53.32 | 52.68 |
| | | LWB | 62.71 | 57.22 | 51.81 | 46.45 | 40.65 | 65.48 | 60.05 | 54.68 | 49.30 | 43.25 | 67.42 | 62.04 | 56.71 | 51.30 | 45.19 |
| | KW | 36.04 | 35.09 | 34.28 | 33.66 | 33.29 | 36.53 | 35.46 | 34.70 | 33.98 | 33.75 | 36.79 | 35.79 | 34.95 | 34.29 | 34.21 | |
| | 163 | TC | 838 | 767 | 701 | 642 | 606 | 869 | 796 | 729 | 672 | 651 | 892 | 819 | 751 | 697 | 689 |
| | | SHC | 309 | 391 | 471 | 549 | 606 | 324 | 423 | 521 | 615 | 651 | 337 | 455 | 572 | 676 | 689 |
| | | LDB | 62.59 | 57.31 | 52.18 | 47.18 | 43.47 | 65.42 | 60.34 | 55.33 | 50.52 | 48.57 | 67.45 | 62.51 | 57.62 | 53.23 | 52.54 |
| | | LWB | 62.59 | 57.11 | 51.71 | 46.36 | 40.59 | 65.39 | 59.96 | 54.60 | 49.22 | 43.18 | 67.34 | 61.96 | 56.64 | 51.24 | 45.12 |
| | KW | 34.86 | 33.99 | 33.27 | 32.65 | 32.29 | 35.27 | 34.35 | 33.58 | 32.98 | 32.76 | 35.61 | 34.66 | 33.86 | 33.27 | 33.19 | |
| | 195 | TC | 841 | 770 | 703 | 644 | 607 | 873 | 800 | 732 | 674 | 653 | 896 | 823 | 754 | 699 | 691 |
| | | SHC | 310 | 392 | 472 | 550 | 607 | 325 | 425 | 523 | 616 | 653 | 339 | 457 | 573 | 677 | 691 |
| LDB | | 62.52 | 57.24 | 52.12 | 47.12 | 43.39 | 65.35 | 60.28 | 55.27 | 50.47 | 48.49 | 67.40 | 62.45 | 57.57 | 53.18 | 52.46 | |
| LWB | | 62.52 | 57.04 | 51.65 | 46.31 | 40.55 | 65.32 | 59.90 | 54.55 | 49.18 | 43.14 | 67.28 | 61.91 | 56.59 | 51.19 | 45.08 | |
| KW | 34.14 | 33.30 | 32.59 | 32.02 | 31.68 | 34.53 | 33.66 | 32.90 | 32.31 | 32.11 | 34.86 | 33.96 | 33.17 | 32.59 | 32.51 | | |
| 228 | TC | 844 | 772 | 705 | 646 | 608 | 876 | 802 | 734 | 676 | 654 | 899 | 825 | 756 | 701 | 693 | |
| | SHC | 311 | 393 | 473 | 550 | 608 | 326 | 426 | 523 | 617 | 654 | 340 | 458 | 574 | 678 | 693 | |
| | LDB | 62.46 | 57.19 | 52.07 | 47.09 | 43.34 | 65.30 | 60.24 | 55.23 | 50.44 | 48.43 | 67.36 | 62.42 | 57.54 | 53.15 | 52.40 | |
| | LWB | 62.46 | 56.99 | 51.61 | 46.27 | 40.52 | 65.28 | 59.86 | 54.51 | 49.15 | 43.11 | 67.25 | 61.87 | 56.56 | 51.17 | 45.05 | |
| KW | 33.62 | 32.80 | 32.11 | 31.57 | 31.23 | 34.03 | 33.14 | 32.41 | 31.85 | 31.65 | 34.37 | 33.44 | 32.67 | 32.11 | 32.04 | | |
| 75 | 130 | TC | 809 | 741 | 678 | 622 | 591 | 838 | 769 | 705 | 651 | 634 | 860 | 790 | 725 | 674 | 669 |
| | | SHC | 298 | 381 | 461 | 539 | 591 | 313 | 413 | 511 | 604 | 634 | 326 | 445 | 561 | 662 | 669 |
| | | LDB | 63.17 | 57.90 | 52.78 | 47.76 | 44.37 | 65.89 | 60.82 | 55.81 | 51.04 | 49.42 | 67.85 | 62.91 | 58.04 | 53.76 | 53.34 |
| | | LWB | 63.17 | 57.69 | 52.28 | 46.92 | 41.06 | 65.85 | 60.42 | 55.06 | 49.67 | 43.60 | 67.72 | 62.35 | 57.04 | 51.62 | 45.50 |
| | KW | 39.41 | 38.53 | 37.78 | 37.23 | 36.97 | 39.83 | 38.92 | 38.10 | 37.56 | 37.36 | 40.18 | 39.22 | 38.38 | 37.78 | 37.74 | |
| | 163 | TC | 816 | 746 | 683 | 626 | 593 | 845 | 775 | 710 | 655 | 637 | 867 | 796 | 730 | 678 | 673 |
| | | SHC | 301 | 383 | 463 | 541 | 593 | 315 | 415 | 513 | 606 | 637 | 329 | 447 | 563 | 665 | 673 |
| | | LDB | 63.04 | 57.78 | 52.68 | 47.66 | 44.22 | 65.78 | 60.71 | 55.71 | 50.95 | 49.27 | 67.75 | 62.82 | 57.95 | 53.66 | 53.19 |
| | | LWB | 63.04 | 57.57 | 52.17 | 46.82 | 40.98 | 65.74 | 60.32 | 54.98 | 49.59 | 43.53 | 67.63 | 62.26 | 56.96 | 51.55 | 45.43 |
| | KW | 38.02 | 37.22 | 36.55 | 35.98 | 35.75 | 38.41 | 37.56 | 36.86 | 36.31 | 36.09 | 38.73 | 37.85 | 37.10 | 36.55 | 36.49 | |
| | 195 | TC | 820 | 750 | 685 | 628 | 595 | 850 | 779 | 713 | 657 | 639 | 872 | 801 | 733 | 681 | 675 |
| | | SHC | 302 | 384 | 464 | 542 | 595 | 317 | 417 | 514 | 608 | 639 | 331 | 449 | 565 | 666 | 675 |
| LDB | | 62.96 | 57.70 | 52.60 | 47.60 | 44.12 | 65.71 | 60.65 | 55.65 | 50.89 | 49.17 | 67.69 | 62.76 | 57.89 | 53.60 | 53.09 | |
| LWB | | 62.96 | 57.49 | 52.10 | 46.76 | 40.93 | 65.67 | 60.26 | 54.91 | 49.54 | 43.48 | 67.57 | 62.21 | 56.90 | 51.50 | 45.38 | |
| KW | 37.16 | 36.39 | 35.76 | 35.25 | 34.99 | 37.52 | 36.72 | 36.04 | 35.54 | 35.36 | 37.82 | 37.00 | 36.27 | 35.76 | 35.70 | | |
| 228 | TC | 823 | 752 | 687 | 630 | 596 | 853 | 782 | 715 | 659 | 640 | 876 | 804 | 736 | 683 | 677 | |
| | SHC | 303 | 385 | 465 | 542 | 596 | 318 | 418 | 515 | 608 | 640 | 332 | 450 | 566 | 667 | 677 | |
| | LDB | 62.90 | 57.64 | 52.55 | 47.55 | 44.06 | 65.66 | 60.60 | 55.61 | 50.84 | 49.11 | 67.65 | 62.72 | 57.86 | 53.55 | 53.02 | |
| | LWB | 62.90 | 57.43 | 52.05 | 46.72 | 40.90 | 65.62 | 60.21 | 54.87 | 49.50 | 43.45 | 67.53 | 62.17 | 56.87 | 51.47 | 45.35 | |
| KW | 36.52 | 35.79 | 35.19 | 34.72 | 34.47 | 36.87 | 36.09 | 35.45 | 34.99 | 34.82 | 37.17 | 36.37 | 35.68 | 35.19 | 35.14 | | |
| 85 | 130 | TC | 784 | 718 | 657 | 603 | 576 | 811 | 745 | 683 | 631 | 618 | 831 | 763 | 700 | 652 | 650 |
| | | SHC | 290 | 372 | 451 | 529 | 576 | 304 | 404 | 502 | 594 | 618 | 317 | 435 | 551 | 652 | 650 |
| | | LDB | 63.67 | 58.43 | 53.33 | 48.32 | 45.26 | 66.30 | 61.24 | 56.25 | 51.54 | 50.21 | 68.20 | 63.28 | 58.43 | 54.14 | 54.08 |
| | | LWB | 63.67 | 58.20 | 52.81 | 47.45 | 41.51 | 66.25 | 60.83 | 55.48 | 50.10 | 43.99 | 68.07 | 62.71 | 57.40 | 51.99 | 45.86 |
| | KW | 43.67 | 42.83 | 42.13 | 41.57 | 41.31 | 44.07 | 43.22 | 42.49 | 41.89 | 41.76 | 44.36 | 43.46 | 42.68 | 42.11 | 42.09 | |
| | 163 | TC | 791 | 724 | 662 | 607 | 579 | 819 | 751 | 688 | 635 | 621 | 839 | 770 | 706 | 658 | 655 |
| | | SHC | 292 | 374 | 454 | 531 | 579 | 307 | 406 | 504 | 596 | 621 | 320 | 437 | 553 | 652 | 655 |
| | | LDB | 63.53 | 58.30 | 53.20 | 48.21 | 45.09 | 66.19 | 61.13 | 56.14 | 51.43 | 50.04 | 68.10 | 63.18 | 58.32 | 54.17 | 53.91 |
| | | LWB | 63.53 | 58.07 | 52.69 | 47.34 | 41.43 | 66.14 | 60.73 | 55.39 | 50.01 | 43.91 | 67.97 | 62.61 | 57.31 | 51.89 | 45.78 |
| | KW | 41.96 | 41.26 | 40.66 | 40.18 | 39.97 | 42.31 | 41.57 | 40.95 | 40.46 | 40.33 | 42.57 | 41.79 | 41.13 | 40.66 | 40.63 | |
| | 195 | TC | 795 | 727 | 665 | 610 | 581 | 824 | 755 | 691 | 638 | 623 | 845 | 775 | 710 | 661 | 657 |
| | | SHC | 294 | 376 | 455 | 533 | 581 | 308 | 408 | 505 | 598 | 623 | 322 | 439 | 555 | 654 | 657 |
| LDB | | 63.45 | 58.21 | 53.12 | 48.13 | 44.98 | 66.11 | 61.06 | 56.07 | 51.36 | 49.94 | 68.03 | 63.12 | 58.26 | 54.09 | 53.80 | |
| LWB | | 63.45 | 57.99 | 52.62 | 47.27 | 41.37 | 66.06 | 60.66 | 55.32 | 49.95 | 43.86 | 67.90 | 62.55 | 57.26 | 51.85 | 45.73 | |
| KW | 40.87 | 40.23 | 39.71 | 39.31 | 39.14 | 41.24 | 40.52 | 39.96 | 39.55 | 39.43 | 41.51 | 40.72 | 40.12 | 39.71 | 39.68 | | |
| 228 | TC | 798 | 730 | 667 | 611 | 582 | 827 | 758 | 694 | 640 | 625 | 849 | 778 | 713 | 663 | 659 | |
| | SHC | 295 | 377 | 456 | 533 | 582 | 309 | 409 | 506 | 599 | 625 | 323 | 441 | 556 | 655 | 659 | |
| | LDB | 63.38 | 58.15 | 53.07 | 48.08 | 44.90 | 66.06 | 61.01 | 56.02 | 51.31 | 49.86 | 67.98 | 63.07 | 58.22 | 54.03 | 53.73 | |
| | LWB | 63.38 | 57.93 | 52.56 | 47.22 | 41.33 | 66.01 | 60.61 | 55.28 | 49.90 | 43.82 | 67.85 | 62.51 | 57.22 | 51.81 | 45.69 | |
| KW | 40.13 | 39.48 | 39.02 | 38.66 | 38.51 | 40.47 | 39.74 | 39.24 | 38.88 | 38.77 | 40.73 | 39.97 | 39.39 | 39.02 | 39.00 | | |

LEGEND

- BF — Bypass Factor
- EDB — Entering Dry Bulb (F)
- EWB — Entering Wet Bulb (F)
- EWT — Entering Water Temperature (F)
- KW — Compressor Motor Power Input (kilowatts)
- LDB — Leaving Dry Bulb (F)
- LWB — Leaving Wet Bulb (F)
- SHC — Sensible Capacity (1000 Btu/hr)
- TC — Total Capacity (1000 Btu/hr)



GROSS COOLING CAPACITIES (cont)
50XJF064 WITH (4) 13 HP COMPRESSORS (cont)

| EWT (F) | GPM | BF | AIR ENTERING EVAPORATOR — CFM AT 80 F EDB | | | | | | | | | | | | | | |
|---------|-------|-------|---|-------|-------|-------|-------|--------|-------|-------|-------|-------|--------|-------|-------|-------|-------|
| | | | 15,200 | | | | | 19,000 | | | | | 23,000 | | | | |
| | | | Air Entering Evaporator — Ewb (F) | | | | | | | | | | | | | | |
| | | | 77 | 72 | 67 | 62 | 57 | 77 | 72 | 67 | 62 | 57 | 77 | 72 | 67 | 62 | 57 |
| 0.001 | 0.055 | 0.055 | 0.059 | 0.181 | 0.043 | 0.073 | 0.072 | 0.09 | 0.297 | 0.071 | 0.09 | 0.09 | 0.138 | 0.388 | | | |
| 95 | 130 | TC | 756 | 693 | 634 | 583 | 559 | 782 | 718 | 658 | 608 | 599 | 800 | 735 | 674 | 631 | 630 |
| | | SHC | 280 | 362 | 441 | 519 | 559 | 294 | 394 | 491 | 582 | 599 | 307 | 424 | 540 | 631 | 630 |
| | | LDB | 64.21 | 58.99 | 53.91 | 48.93 | 46.29 | 66.75 | 61.71 | 56.74 | 52.10 | 51.11 | 68.58 | 63.68 | 58.85 | 54.96 | 54.87 |
| | 163 | LWB | 64.21 | 58.76 | 53.38 | 48.01 | 42.04 | 66.68 | 61.29 | 55.95 | 50.57 | 44.43 | 68.44 | 63.09 | 57.79 | 52.34 | 46.23 |
| | | KW | 48.67 | 47.79 | 47.04 | 46.44 | 46.13 | 49.10 | 48.17 | 47.38 | 46.74 | 46.65 | 49.35 | 48.41 | 47.60 | 47.05 | 47.05 |
| | | TC | 764 | 699 | 639 | 587 | 562 | 790 | 725 | 663 | 613 | 603 | 808 | 742 | 680 | 636 | 635 |
| | 195 | SHC | 283 | 364 | 444 | 521 | 562 | 297 | 396 | 494 | 584 | 603 | 310 | 427 | 543 | 636 | 635 |
| | | LDB | 64.07 | 58.85 | 53.77 | 48.81 | 46.10 | 66.62 | 61.59 | 56.61 | 51.98 | 50.92 | 68.47 | 63.57 | 58.73 | 54.77 | 54.70 |
| | | LWB | 64.07 | 58.62 | 53.25 | 47.90 | 41.94 | 66.56 | 61.17 | 55.85 | 50.47 | 44.34 | 68.33 | 62.99 | 57.70 | 52.26 | 46.15 |
| | 228 | KW | 46.80 | 46.07 | 45.44 | 44.93 | 44.69 | 47.18 | 46.40 | 45.72 | 45.19 | 45.11 | 47.39 | 46.59 | 45.90 | 45.46 | 45.43 |
| | | TC | 768 | 703 | 642 | 589 | 564 | 796 | 729 | 667 | 616 | 605 | 814 | 747 | 684 | 639 | 638 |
| | | SHC | 284 | 366 | 445 | 522 | 564 | 299 | 398 | 495 | 586 | 605 | 311 | 429 | 544 | 639 | 638 |
| 105 | 130 | LDB | 63.98 | 58.77 | 53.69 | 48.73 | 45.97 | 66.54 | 61.51 | 56.54 | 51.90 | 50.80 | 68.40 | 63.50 | 58.67 | 54.66 | 54.59 |
| | | LWB | 63.98 | 58.54 | 53.17 | 47.83 | 41.88 | 66.48 | 61.10 | 55.78 | 50.41 | 44.28 | 68.26 | 62.93 | 57.64 | 52.21 | 46.10 |
| | | KW | 45.60 | 44.94 | 44.41 | 43.98 | 43.78 | 45.95 | 45.25 | 44.66 | 44.21 | 44.14 | 46.15 | 45.42 | 44.80 | 44.41 | 44.40 |
| 163 | TC | 772 | 706 | 645 | 591 | 566 | 799 | 732 | 670 | 618 | 607 | 818 | 750 | 687 | 641 | 640 | |
| | SHC | 285 | 367 | 446 | 523 | 566 | 300 | 399 | 496 | 587 | 607 | 313 | 430 | 546 | 641 | 640 | |
| | LDB | 63.91 | 58.70 | 53.63 | 48.67 | 45.88 | 66.49 | 61.46 | 56.49 | 51.85 | 50.71 | 68.35 | 63.45 | 58.62 | 54.58 | 54.51 | |
| 195 | LWB | 63.91 | 58.47 | 53.11 | 47.78 | 41.83 | 66.43 | 61.04 | 55.73 | 50.36 | 44.24 | 68.21 | 62.88 | 57.60 | 52.18 | 46.06 | |
| | KW | 44.71 | 44.13 | 43.66 | 43.27 | 43.09 | 45.02 | 44.40 | 43.88 | 43.48 | 43.42 | 45.21 | 44.55 | 44.01 | 43.66 | 43.64 | |
| | TC | 727 | 666 | 610 | 560 | 541 | 750 | 688 | 631 | 584 | 578 | 766 | 704 | 646 | 610 | 609 | |
| 105 | 130 | SHC | 270 | 352 | 431 | 508 | 541 | 283 | 383 | 480 | 569 | 578 | 296 | 413 | 528 | 610 | 609 |
| | | LDB | 64.78 | 59.59 | 54.53 | 49.60 | 47.38 | 67.23 | 62.21 | 57.27 | 52.72 | 52.10 | 68.98 | 64.09 | 59.30 | 55.83 | 55.73 |
| | | LWB | 64.78 | 59.34 | 53.98 | 48.61 | 42.59 | 67.16 | 61.78 | 56.46 | 51.07 | 44.91 | 68.83 | 63.49 | 58.20 | 52.71 | 46.64 |
| 163 | KW | 54.29 | 53.34 | 52.51 | 51.81 | 51.49 | 54.68 | 53.68 | 52.82 | 52.13 | 52.06 | 54.96 | 53.95 | 53.08 | 52.58 | 52.57 | |
| | TC | 735 | 673 | 615 | 565 | 544 | 759 | 696 | 637 | 589 | 582 | 775 | 712 | 652 | 614 | 614 | |
| | SHC | 273 | 354 | 433 | 510 | 544 | 286 | 385 | 483 | 571 | 582 | 299 | 416 | 531 | 614 | 614 | |
| 195 | LDB | 64.63 | 59.45 | 54.39 | 49.45 | 47.18 | 67.10 | 62.08 | 57.13 | 52.59 | 51.90 | 68.87 | 63.98 | 59.17 | 55.65 | 55.55 | |
| | LWB | 64.63 | 59.20 | 53.85 | 48.50 | 42.49 | 67.03 | 61.66 | 56.35 | 50.96 | 44.82 | 68.72 | 63.39 | 58.11 | 52.63 | 46.55 | |
| | KW | 52.27 | 51.48 | 50.78 | 50.21 | 49.93 | 52.61 | 51.78 | 51.04 | 50.47 | 50.39 | 52.85 | 52.00 | 51.25 | 50.83 | 50.82 | |
| 228 | TC | 739 | 677 | 618 | 568 | 546 | 764 | 700 | 640 | 592 | 585 | 781 | 717 | 657 | 617 | 616 | |
| | SHC | 274 | 356 | 435 | 512 | 546 | 288 | 387 | 484 | 573 | 585 | 301 | 418 | 533 | 617 | 616 | |
| | LDB | 64.54 | 59.36 | 54.30 | 49.37 | 47.05 | 67.02 | 62.01 | 57.05 | 52.51 | 51.77 | 68.80 | 63.91 | 59.11 | 55.52 | 55.43 | |
| 105 | 130 | LWB | 64.54 | 59.11 | 53.76 | 48.42 | 42.42 | 66.95 | 61.58 | 56.28 | 50.90 | 44.75 | 68.65 | 63.33 | 58.05 | 52.58 | 46.50 |
| | | KW | 50.97 | 50.27 | 49.68 | 49.21 | 48.95 | 51.28 | 50.54 | 49.90 | 49.42 | 49.35 | 51.50 | 50.73 | 50.08 | 49.72 | 49.70 |
| | | TC | 743 | 680 | 621 | 570 | 548 | 768 | 704 | 643 | 595 | 587 | 786 | 720 | 660 | 619 | 619 |
| 195 | SHC | 276 | 357 | 436 | 513 | 548 | 289 | 388 | 485 | 574 | 587 | 302 | 419 | 534 | 619 | 619 | |
| | LDB | 64.47 | 59.29 | 54.24 | 49.31 | 46.96 | 66.96 | 61.95 | 57.00 | 52.45 | 51.67 | 68.75 | 63.86 | 59.06 | 55.44 | 55.34 | |
| | LWB | 64.47 | 59.05 | 53.70 | 48.36 | 42.38 | 66.89 | 61.52 | 56.22 | 50.85 | 44.71 | 68.60 | 63.28 | 58.01 | 52.54 | 46.45 | |
| 228 | KW | 50.01 | 49.39 | 48.86 | 48.44 | 48.22 | 50.30 | 49.63 | 49.07 | 48.63 | 48.57 | 50.48 | 49.80 | 49.22 | 48.89 | 48.88 | |

LEGEND

- | | |
|--|--|
| BF — Bypass Factor | LDB — Leaving Dry Bulb (F) |
| EDB — Entering Dry Bulb (F) | LWB — Leaving Wet Bulb (F) |
| EWB — Entering Wet Bulb (F) | SHC — Sensible Capacity (1000 Btu/hr) |
| EWT — Entering Water Temperature (F) | TC — Total Capacity (1000 Btu/hr) |
| kW — Compressor Motor Power Input (kilowatts) | |

Performance data (cont)



GROSS COOLING CAPACITIES (cont)

50XJB074 WITH (2) 10 HP COMPRESSORS AND (2) 13 HP COMPRESSORS

| EWT (F) | GPM | BF | AIR ENTERING EVAPORATOR — CFM AT 80 F EDB | | | | | | | | | | | | | | |
|------------|------|-------|---|-------|-------|-------|-------|--------|-------|-------|-------|-------|--------|-------|-------|-------|-------|
| | | | 15,200 | | | | | 19,000 | | | | | 23,000 | | | | |
| | | | Air Entering Evaporator — Ewb (F) | | | | | | | | | | | | | | |
| | | | 77 | 72 | 67 | 62 | 57 | 77 | 72 | 67 | 62 | 57 | 77 | 72 | 67 | 62 | 57 |
| 0.001 | 0.56 | 0.056 | 0.063 | 0.225 | 0.053 | 0.074 | 0.073 | 0.101 | 0.337 | 0.077 | 0.091 | 0.093 | 0.172 | 0.423 | | | |
| 65 | 115 | TC | 776 | 712 | 651 | 599 | 573 | 803 | 737 | 676 | 626 | 613 | 822 | 755 | 693 | 647 | 645 |
| | | SHC | 287 | 369 | 449 | 527 | 573 | 301 | 401 | 499 | 591 | 613 | 314 | 432 | 548 | 647 | 645 |
| | | LDB | 63.82 | 58.57 | 53.47 | 48.47 | 45.46 | 66.43 | 61.37 | 56.38 | 51.69 | 50.42 | 68.31 | 63.39 | 58.54 | 54.33 | 54.27 |
| | 144 | LWB | 63.82 | 58.35 | 52.95 | 47.58 | 41.62 | 66.37 | 60.96 | 55.61 | 50.21 | 44.09 | 68.17 | 62.81 | 57.51 | 52.07 | 45.95 |
| | | KW | 33.19 | 32.27 | 31.52 | 30.91 | 30.68 | 33.66 | 32.64 | 31.86 | 31.25 | 31.11 | 33.88 | 32.90 | 32.10 | 31.53 | 31.49 |
| | | TC | 782 | 716 | 655 | 602 | 575 | 809 | 743 | 680 | 629 | 616 | 829 | 761 | 698 | 651 | 649 |
| | 173 | SHC | 289 | 371 | 451 | 528 | 575 | 303 | 403 | 501 | 592 | 616 | 316 | 434 | 550 | 651 | 649 |
| | | LDB | 63.70 | 58.47 | 53.38 | 48.39 | 45.34 | 66.34 | 61.28 | 56.29 | 51.60 | 50.28 | 68.22 | 63.31 | 58.46 | 54.20 | 54.14 |
| | | LWB | 63.70 | 58.24 | 52.86 | 47.50 | 41.55 | 66.28 | 60.87 | 55.53 | 50.13 | 44.03 | 68.09 | 62.74 | 57.43 | 52.02 | 45.88 |
| | 201 | KW | 32.07 | 31.25 | 30.56 | 29.99 | 29.74 | 32.46 | 31.60 | 30.87 | 30.32 | 30.17 | 32.76 | 31.86 | 31.09 | 30.55 | 30.54 |
| | | TC | 786 | 719 | 658 | 603 | 576 | 813 | 746 | 683 | 631 | 618 | 834 | 765 | 701 | 654 | 651 |
| | | SHC | 290 | 372 | 452 | 529 | 576 | 304 | 404 | 502 | 594 | 618 | 318 | 436 | 551 | 649 | 651 |
| 75 | 115 | LDB | 63.63 | 58.40 | 53.32 | 48.33 | 45.25 | 66.28 | 61.23 | 56.24 | 51.55 | 50.20 | 68.17 | 63.25 | 58.42 | 54.29 | 54.05 |
| | | LWB | 63.63 | 58.18 | 52.80 | 47.44 | 41.51 | 66.22 | 60.82 | 55.48 | 50.09 | 43.99 | 68.03 | 62.69 | 57.39 | 51.96 | 45.84 |
| | | KW | 31.39 | 30.60 | 29.91 | 29.38 | 29.14 | 31.76 | 30.94 | 30.22 | 29.68 | 29.54 | 32.05 | 31.18 | 30.44 | 29.92 | 29.89 |
| | 144 | TC | 788 | 721 | 659 | 605 | 577 | 816 | 748 | 685 | 633 | 619 | 837 | 768 | 703 | 657 | 652 |
| | | SHC | 291 | 373 | 452 | 530 | 577 | 305 | 405 | 503 | 594 | 619 | 319 | 436 | 552 | 645 | 652 |
| | | LDB | 63.58 | 58.36 | 53.28 | 48.29 | 45.20 | 66.23 | 61.19 | 56.21 | 51.52 | 50.15 | 68.13 | 63.22 | 58.38 | 54.42 | 54.00 |
| | 173 | LWB | 63.58 | 58.13 | 52.76 | 47.41 | 41.48 | 66.18 | 60.78 | 55.45 | 50.06 | 43.96 | 68.00 | 62.65 | 57.36 | 51.92 | 45.82 |
| | | KW | 30.94 | 30.14 | 29.49 | 28.97 | 28.74 | 31.31 | 30.47 | 29.77 | 29.26 | 29.12 | 31.61 | 30.74 | 29.99 | 29.48 | 29.46 |
| | | TC | 755 | 692 | 634 | 583 | 560 | 781 | 717 | 657 | 608 | 599 | 798 | 733 | 673 | 631 | 630 |
| | 201 | SHC | 280 | 362 | 441 | 519 | 560 | 293 | 393 | 491 | 582 | 599 | 306 | 424 | 539 | 631 | 630 |
| | | LDB | 64.24 | 59.02 | 53.92 | 48.94 | 46.25 | 66.78 | 61.73 | 56.75 | 52.12 | 51.10 | 68.60 | 63.69 | 58.86 | 54.97 | 54.89 |
| | | LWB | 64.24 | 58.78 | 53.39 | 48.01 | 42.02 | 66.71 | 61.31 | 55.97 | 50.57 | 44.43 | 68.46 | 63.11 | 57.81 | 52.34 | 46.24 |
| 85 | 115 | KW | 36.24 | 35.40 | 34.67 | 34.17 | 33.95 | 36.63 | 35.77 | 35.01 | 34.44 | 34.36 | 36.89 | 35.99 | 35.21 | 34.69 | 34.68 |
| | | TC | 761 | 697 | 638 | 586 | 562 | 787 | 723 | 662 | 612 | 602 | 805 | 740 | 678 | 635 | 634 |
| | | SHC | 282 | 364 | 443 | 521 | 562 | 296 | 395 | 493 | 583 | 602 | 309 | 426 | 542 | 635 | 634 |
| | 144 | LDB | 64.11 | 58.90 | 53.82 | 48.84 | 46.10 | 66.67 | 61.63 | 56.65 | 52.03 | 50.94 | 68.51 | 63.61 | 58.77 | 54.82 | 54.74 |
| | | LWB | 64.11 | 58.66 | 53.29 | 47.92 | 41.94 | 66.61 | 61.21 | 55.88 | 50.48 | 44.35 | 68.37 | 63.02 | 57.73 | 52.28 | 46.17 |
| | | KW | 34.93 | 34.17 | 33.54 | 33.03 | 32.80 | 35.30 | 34.51 | 33.83 | 33.30 | 33.22 | 35.55 | 34.71 | 34.01 | 33.55 | 33.53 |
| | 173 | TC | 765 | 701 | 641 | 588 | 564 | 792 | 726 | 665 | 615 | 604 | 810 | 744 | 682 | 638 | 636 |
| | | SHC | 283 | 365 | 444 | 522 | 564 | 297 | 397 | 494 | 585 | 604 | 310 | 428 | 543 | 638 | 636 |
| | | LDB | 64.03 | 58.83 | 53.74 | 48.77 | 46.00 | 66.61 | 61.56 | 56.59 | 51.96 | 50.84 | 68.45 | 63.55 | 58.72 | 54.72 | 54.65 |
| | 201 | LWB | 64.03 | 58.59 | 53.22 | 47.86 | 41.89 | 66.54 | 61.15 | 55.82 | 50.43 | 44.30 | 68.31 | 62.97 | 57.68 | 52.24 | 46.13 |
| | | KW | 34.11 | 33.37 | 32.77 | 32.31 | 32.11 | 34.44 | 33.70 | 33.05 | 32.56 | 32.48 | 34.69 | 33.90 | 33.22 | 32.78 | 32.77 |
| | | TC | 768 | 703 | 642 | 590 | 565 | 795 | 729 | 667 | 617 | 606 | 814 | 747 | 684 | 639 | 638 |
| 85 | 115 | SHC | 284 | 366 | 445 | 522 | 565 | 298 | 398 | 495 | 586 | 606 | 311 | 429 | 544 | 639 | 638 |
| | | LDB | 63.98 | 58.77 | 53.71 | 48.73 | 45.93 | 66.56 | 61.52 | 56.55 | 51.92 | 50.77 | 68.41 | 63.51 | 58.68 | 54.66 | 54.58 |
| | | LWB | 63.98 | 58.54 | 53.18 | 47.82 | 41.86 | 66.49 | 61.10 | 55.78 | 50.40 | 44.27 | 68.27 | 62.93 | 57.65 | 52.21 | 46.09 |
| | 144 | KW | 33.53 | 32.83 | 32.27 | 31.83 | 31.63 | 33.87 | 33.13 | 32.52 | 32.07 | 32.00 | 34.11 | 33.33 | 32.69 | 32.27 | 32.26 |
| | | TC | 731 | 671 | 614 | 565 | 545 | 755 | 693 | 635 | 589 | 583 | 771 | 709 | 651 | 614 | 613 |
| | | SHC | 272 | 353 | 433 | 510 | 545 | 285 | 384 | 482 | 571 | 583 | 297 | 415 | 530 | 614 | 613 |
| | 173 | LDB | 64.70 | 59.50 | 54.42 | 49.46 | 47.13 | 67.16 | 62.13 | 57.17 | 52.61 | 51.89 | 68.92 | 64.03 | 59.22 | 55.67 | 55.58 |
| | | LWB | 64.70 | 59.25 | 53.87 | 48.48 | 42.46 | 67.09 | 61.70 | 56.37 | 50.96 | 44.81 | 68.77 | 63.43 | 58.14 | 52.64 | 46.56 |
| | | KW | 40.10 | 39.32 | 38.66 | 38.16 | 37.93 | 40.44 | 39.63 | 38.93 | 38.39 | 38.33 | 40.67 | 39.84 | 39.12 | 38.71 | 38.69 |
| | 201 | TC | 738 | 676 | 619 | 569 | 548 | 762 | 699 | 641 | 594 | 586 | 779 | 715 | 656 | 618 | 617 |
| | | SHC | 274 | 355 | 435 | 512 | 548 | 287 | 387 | 484 | 573 | 586 | 300 | 417 | 532 | 618 | 617 |
| | | LDB | 64.57 | 59.37 | 54.30 | 49.35 | 46.96 | 67.05 | 62.03 | 57.06 | 52.51 | 51.72 | 68.83 | 63.94 | 59.12 | 55.51 | 55.41 |
| 85 | 115 | LWB | 64.57 | 59.12 | 53.76 | 48.39 | 42.38 | 66.97 | 61.59 | 56.27 | 50.87 | 44.73 | 68.68 | 63.34 | 58.06 | 52.57 | 46.49 |
| | | KW | 38.48 | 37.82 | 37.27 | 36.84 | 36.64 | 38.79 | 38.09 | 37.49 | 37.05 | 36.99 | 38.99 | 38.27 | 37.66 | 37.30 | 37.29 |
| | | TC | 742 | 680 | 622 | 571 | 550 | 767 | 704 | 644 | 596 | 589 | 784 | 720 | 660 | 620 | 619 |
| | 144 | SHC | 275 | 357 | 436 | 513 | 550 | 289 | 388 | 486 | 575 | 589 | 302 | 419 | 534 | 620 | 619 |
| | | LDB | 64.48 | 59.29 | 54.22 | 49.28 | 46.84 | 66.98 | 61.95 | 56.99 | 52.43 | 51.60 | 68.76 | 63.88 | 59.06 | 55.41 | 55.31 |
| | | LWB | 64.48 | 59.05 | 53.69 | 48.32 | 42.32 | 66.90 | 61.52 | 56.21 | 50.82 | 44.67 | 68.61 | 63.29 | 58.00 | 52.53 | 46.44 |
| | 173 | KW | 37.47 | 36.82 | 36.34 | 35.98 | 35.82 | 37.80 | 37.07 | 36.54 | 36.16 | 36.11 | 38.00 | 37.26 | 36.68 | 36.37 | 36.36 |
| | | TC | 745 | 682 | 624 | 573 | 551 | 771 | 706 | 646 | 598 | 590 | 788 | 723 | 663 | 622 | 621 |
| | | SHC | 276 | 358 | 437 | 514 | 551 | 290 | 389 | 487 | 576 | 590 | 303 | 420 | 535 | 622 | 621 |
| | 201 | LDB | 64.42 | 59.24 | 54.17 | 49.23 | 46.76 | 66.92 | 61.90 | 56.95 | 52.38 | 51.53 | 68.72 | 63.83 | 59.02 | 55.33 | 55.24 |
| | | LWB | 64.42 | 58.99 | 53.64 | 48.28 | 42.28 | 66.85 | 61.48 | 56.17 | 50.78 | 44.63 | 68.57 | 63.25 | 57.96 | 52.50 | 46.40 |
| | | KW | 36.80 | 36.14 | 35.71 | 35.39 | 35.24 | 37.11 | 36.43 | 35.89 | 35.55 | 35.50 | 37.31 | 36.60 | 36.01 | 35.73 | 35.73 |

LEGEND

- BF — Bypass Factor
- EDB — Entering Dry Bulb (F)
- EWB — Entering Wet Bulb (F)
- EWT — Entering Water Temperature (F)
- kW — Compressor Motor Power Input (kilowatts)
- LDB — Leaving Dry Bulb (F)
- LWB — Leaving Wet Bulb (F)
- SHC — Sensible Capacity (1000 Btu/hr)
- TC — Total Capacity (1000 Btu/hr)



GROSS COOLING CAPACITIES (cont)

50XJB074 WITH (2) 10 HP COMPRESSORS AND (2) 13 HP COMPRESSORS (cont)

| EWT (F) | GPM | BF | AIR ENTERING EVAPORATOR — CFM AT 80 F EDB | | | | | | | | | | | | | | | |
|---------|------|-------|---|-------|-------|-------|-------|--------|-------|-------|-------|-------|--------|-------|-------|-------|-------|-------|
| | | | 15,200 | | | | | 19,000 | | | | | 23,000 | | | | | |
| | | | Air Entering Evaporator — Ewb (F) | | | | | | | | | | | | | | | |
| | | | 77 | 72 | 67 | 62 | 57 | 77 | 72 | 67 | 62 | 57 | 77 | 72 | 67 | 62 | 57 | |
| 0.001 | 0.56 | 0.056 | 0.063 | 0.225 | 0.053 | 0.074 | 0.073 | 0.101 | 0.337 | 0.077 | 0.091 | 0.093 | 0.172 | 0.423 | | | | |
| 95 | 115 | TC | 706 | 647 | 592 | 545 | 529 | 727 | 667 | 612 | 569 | 565 | 742 | 682 | 627 | 594 | 594 | |
| | | SHC | 263 | 344 | 423 | 500 | 529 | 276 | 375 | 472 | 559 | 565 | 288 | 406 | 520 | 594 | 594 | |
| | | LDB | 65.20 | 60.02 | 54.96 | 50.05 | 48.08 | 67.58 | 62.57 | 57.63 | 53.18 | 52.75 | 69.27 | 64.38 | 59.61 | 56.44 | 56.34 | |
| | 144 | TC | 713 | 653 | 597 | 549 | 532 | 735 | 674 | 617 | 573 | 569 | 750 | 689 | 632 | 599 | 598 | |
| | | SHC | 265 | 346 | 426 | 502 | 532 | 278 | 377 | 475 | 562 | 569 | 291 | 408 | 522 | 599 | 598 | |
| | | LDB | 65.06 | 59.89 | 54.82 | 49.92 | 47.90 | 67.46 | 62.45 | 57.50 | 53.06 | 52.57 | 69.17 | 64.29 | 59.50 | 56.27 | 56.17 | |
| | 173 | TC | 717 | 657 | 601 | 552 | 534 | 740 | 678 | 621 | 576 | 571 | 756 | 694 | 636 | 602 | 601 | |
| | | SHC | 267 | 348 | 427 | 504 | 534 | 280 | 379 | 476 | 563 | 571 | 292 | 410 | 524 | 602 | 601 | |
| | | LDB | 64.97 | 59.80 | 54.74 | 49.84 | 47.77 | 67.39 | 62.38 | 57.43 | 52.98 | 52.45 | 69.11 | 64.23 | 59.44 | 56.15 | 56.05 | |
| | 105 | 115 | TC | 677 | 621 | 569 | 524 | 512 | 697 | 640 | 587 | 547 | 546 | 711 | 653 | 601 | 573 | 572 |
| | | | SHC | 253 | 334 | 413 | 489 | 512 | 266 | 365 | 461 | 547 | 546 | 278 | 395 | 508 | 573 | 572 |
| | | | LDB | 65.74 | 60.58 | 55.55 | 50.69 | 49.13 | 68.02 | 63.03 | 58.11 | 53.76 | 53.68 | 69.64 | 64.78 | 60.04 | 57.29 | 57.19 |
| 144 | | TC | 685 | 627 | 574 | 528 | 515 | 705 | 647 | 592 | 551 | 550 | 719 | 661 | 607 | 577 | 577 | |
| | | SHC | 256 | 337 | 416 | 491 | 515 | 268 | 367 | 464 | 551 | 550 | 281 | 398 | 511 | 577 | 577 | |
| | | LDB | 65.60 | 60.45 | 55.41 | 50.56 | 48.92 | 67.90 | 62.91 | 57.98 | 53.55 | 53.49 | 69.54 | 64.67 | 59.92 | 57.10 | 57.00 | |
| 173 | | TC | 690 | 632 | 577 | 531 | 518 | 710 | 651 | 596 | 555 | 552 | 725 | 666 | 611 | 581 | 580 | |
| | | SHC | 257 | 338 | 417 | 493 | 518 | 270 | 369 | 466 | 550 | 552 | 283 | 400 | 513 | 581 | 580 | |
| | | LDB | 65.50 | 60.36 | 55.32 | 50.47 | 48.78 | 67.82 | 62.83 | 57.91 | 53.62 | 53.36 | 69.47 | 64.61 | 59.85 | 56.98 | 56.88 | |
| 201 | | TC | 693 | 634 | 579 | 533 | 519 | 714 | 654 | 599 | 557 | 554 | 729 | 669 | 613 | 583 | 582 | |
| | | SHC | 259 | 339 | 418 | 494 | 519 | 271 | 370 | 467 | 551 | 554 | 284 | 401 | 515 | 583 | 582 | |
| | | LDB | 65.43 | 60.29 | 55.27 | 50.41 | 48.69 | 67.77 | 62.78 | 57.86 | 53.55 | 53.28 | 69.42 | 64.56 | 59.81 | 56.89 | 56.79 | |

LEGEND

- BF** — Bypass Factor
- EDB** — Entering Dry Bulb (F)
- EWB** — Entering Wet Bulb (F)
- EWT** — Entering Water Temperature (F)
- kw** — Compressor Motor Power Input (kilowatts)
- LDB** — Leaving Dry Bulb (F)
- LWB** — Leaving Wet Bulb (F)
- SHC** — Sensible Capacity (1000 Btu/hr)
- TC** — Total Capacity (1000 Btu/hr)

Performance data (cont)



GROSS COOLING CAPACITIES (cont) 50XJC074 WITH (4) 10 HP COMPRESSORS

| EWT (F) | GPM | BF | AIR ENTERING EVAPORATOR — CFM AT 80 F EDB | | | | | | | | | | | | | | |
|---------|-------|-------|---|-------|-------|-------|-------|--------|-------|-------|-------|-------|--------|-------|-------|-------|-------|
| | | | 15,200 | | | | | 19,000 | | | | | 23,000 | | | | |
| | | | Air Entering Evaporator — Ewb (F) | | | | | | | | | | | | | | |
| | | | 77 | 72 | 67 | 62 | 57 | 77 | 72 | 67 | 62 | 57 | 77 | 72 | 67 | 62 | 57 |
| 0.001 | 0.055 | 0.055 | 0.059 | 0.181 | 0.043 | 0.073 | 0.072 | 0.09 | 0.297 | 0.071 | 0.09 | 0.09 | 0.138 | 0.388 | | | |
| 65 | 130 | TC | 832 | 762 | 697 | 639 | 604 | 862 | 791 | 725 | 669 | 649 | 885 | 813 | 746 | 693 | 685 |
| | | SHC | 306 | 389 | 469 | 547 | 604 | 321 | 421 | 519 | 613 | 649 | 335 | 453 | 570 | 673 | 685 |
| | | LDB | 62.71 | 57.42 | 52.30 | 47.27 | 43.59 | 65.51 | 60.43 | 55.42 | 50.62 | 48.71 | 67.54 | 62.59 | 57.70 | 53.32 | 52.68 |
| | | LWB | 62.71 | 57.22 | 51.81 | 46.45 | 40.65 | 65.48 | 60.05 | 54.68 | 49.30 | 43.25 | 67.42 | 62.04 | 56.71 | 51.30 | 45.19 |
| | | | | | | | | | | | | | | | | | |
| | | | | | | | | | | | | | | | | | |
| | | | | | | | | | | | | | | | | | |
| | | | | | | | | | | | | | | | | | |
| | | | | | | | | | | | | | | | | | |
| | | | | | | | | | | | | | | | | | |
| | | | | | | | | | | | | | | | | | |
| | 75 | 130 | TC | 809 | 741 | 678 | 622 | 591 | 838 | 769 | 705 | 651 | 634 | 860 | 790 | 725 | 674 |
| SHC | | | 298 | 381 | 461 | 539 | 591 | 313 | 413 | 511 | 604 | 634 | 326 | 445 | 561 | 662 | 669 |
| LDB | | | 63.17 | 57.90 | 52.78 | 47.76 | 44.37 | 65.89 | 60.82 | 55.81 | 51.04 | 49.42 | 67.85 | 62.91 | 58.04 | 53.76 | 53.34 |
| LWB | | | 63.17 | 57.69 | 52.28 | 46.92 | 41.06 | 65.85 | 60.42 | 55.06 | 49.67 | 43.60 | 67.72 | 62.35 | 57.04 | 51.62 | 45.50 |
| | | | | | | | | | | | | | | | | | |
| | | | | | | | | | | | | | | | | | |
| | | | | | | | | | | | | | | | | | |
| | | | | | | | | | | | | | | | | | |
| | | | | | | | | | | | | | | | | | |
| | | | | | | | | | | | | | | | | | |
| | | | | | | | | | | | | | | | | | |
| 85 | | 130 | TC | 816 | 746 | 683 | 626 | 593 | 845 | 775 | 710 | 655 | 637 | 867 | 796 | 730 | 678 |
| | SHC | | 301 | 383 | 463 | 541 | 593 | 315 | 415 | 513 | 606 | 637 | 329 | 447 | 563 | 665 | 673 |
| | LDB | | 63.04 | 57.78 | 52.68 | 47.66 | 44.22 | 65.78 | 60.71 | 55.71 | 50.95 | 49.27 | 67.75 | 62.82 | 57.95 | 53.66 | 53.19 |
| | LWB | | 63.04 | 57.57 | 52.17 | 46.82 | 40.98 | 65.74 | 60.32 | 54.98 | 49.59 | 43.53 | 67.63 | 62.26 | 56.96 | 51.55 | 45.43 |
| | | | | | | | | | | | | | | | | | |
| | | | | | | | | | | | | | | | | | |
| | | | | | | | | | | | | | | | | | |
| | | | | | | | | | | | | | | | | | |
| | | | | | | | | | | | | | | | | | |
| | | | | | | | | | | | | | | | | | |
| | | | | | | | | | | | | | | | | | |
| | | | | | | | | | | | | | | | | | |

LEGEND

- BF — Bypass Factor
- EDB — Entering Dry Bulb (F)
- EWB — Entering Wet Bulb (F)
- EWT — Entering Water Temperature (F)
- kW — Compressor Motor Power Input (kilowatts)
- LDB — Leaving Dry Bulb (F)
- LWB — Leaving Wet Bulb (F)
- SHC — Sensible Capacity (1000 Btu/hr)
- TC — Total Capacity (1000 Btu/hr)



GROSS COOLING CAPACITIES (cont)
50XJC074 WITH (4) 10 HP COMPRESSORS (cont)

| EWT (F) | GPM | BF | AIR ENTERING EVAPORATOR — CFM AT 80 F EDB | | | | | | | | | | | | | | |
|---------|-------|-------|---|-------|-------|-------|-------|--------|-------|-------|-------|-------|--------|-------|-------|-------|-------|
| | | | 15,200 | | | | | 19,000 | | | | | 23,000 | | | | |
| | | | Air Entering Evaporator — Ewb (F) | | | | | | | | | | | | | | |
| | | | 77 | 72 | 67 | 62 | 57 | 77 | 72 | 67 | 62 | 57 | 77 | 72 | 67 | 62 | 57 |
| 0.001 | 0.055 | 0.055 | 0.059 | 0.181 | 0.043 | 0.073 | 0.072 | 0.09 | 0.297 | 0.071 | 0.09 | 0.09 | 0.138 | 0.388 | | | |
| 95 | 130 | TC | 756 | 693 | 634 | 583 | 559 | 782 | 718 | 658 | 608 | 599 | 800 | 735 | 674 | 631 | 630 |
| | | SHC | 280 | 362 | 441 | 519 | 559 | 294 | 394 | 491 | 582 | 599 | 307 | 424 | 540 | 631 | 630 |
| | | LDB | 64.21 | 58.99 | 53.91 | 48.93 | 46.29 | 66.75 | 61.71 | 56.74 | 52.10 | 51.11 | 68.58 | 63.68 | 58.85 | 54.96 | 54.87 |
| | 163 | LWB | 64.21 | 58.76 | 53.38 | 48.01 | 42.04 | 66.68 | 61.29 | 55.95 | 50.57 | 44.43 | 68.44 | 63.09 | 57.79 | 52.34 | 46.23 |
| | | KW | 48.67 | 47.79 | 47.04 | 46.44 | 46.13 | 49.10 | 48.17 | 47.38 | 46.74 | 46.65 | 49.35 | 48.41 | 47.60 | 47.05 | 47.05 |
| | | TC | 764 | 699 | 639 | 587 | 562 | 790 | 725 | 663 | 613 | 603 | 808 | 742 | 680 | 636 | 635 |
| | 195 | SHC | 283 | 364 | 444 | 521 | 562 | 297 | 396 | 494 | 584 | 603 | 310 | 427 | 543 | 636 | 635 |
| | | LDB | 64.07 | 58.85 | 53.77 | 48.81 | 46.10 | 66.62 | 61.59 | 56.61 | 51.98 | 50.92 | 68.47 | 63.57 | 58.73 | 54.77 | 54.70 |
| | | LWB | 64.07 | 58.62 | 53.25 | 47.90 | 41.94 | 66.56 | 61.17 | 55.85 | 50.47 | 44.34 | 68.33 | 62.99 | 57.70 | 52.26 | 46.15 |
| | 228 | KW | 46.80 | 46.07 | 45.44 | 44.93 | 44.69 | 47.18 | 46.40 | 45.72 | 45.19 | 45.11 | 47.39 | 46.59 | 45.90 | 45.46 | 45.43 |
| | | TC | 768 | 703 | 642 | 589 | 564 | 796 | 729 | 667 | 616 | 605 | 814 | 747 | 684 | 639 | 638 |
| | | SHC | 284 | 366 | 445 | 522 | 564 | 299 | 398 | 495 | 586 | 605 | 311 | 429 | 544 | 639 | 638 |
| 105 | 130 | LDB | 63.98 | 58.77 | 53.69 | 48.73 | 45.97 | 66.54 | 61.51 | 56.54 | 51.90 | 50.80 | 68.40 | 63.50 | 58.67 | 54.66 | 54.59 |
| | | LWB | 63.98 | 58.54 | 53.17 | 47.83 | 41.88 | 66.48 | 61.10 | 55.78 | 50.41 | 44.28 | 68.26 | 62.93 | 57.64 | 52.21 | 46.10 |
| | | KW | 45.60 | 44.94 | 44.41 | 43.98 | 43.78 | 45.95 | 45.25 | 44.66 | 44.21 | 44.14 | 46.15 | 45.42 | 44.80 | 44.41 | 44.40 |
| 163 | TC | 772 | 706 | 645 | 591 | 566 | 799 | 732 | 670 | 618 | 607 | 818 | 750 | 687 | 641 | 640 | |
| | SHC | 285 | 367 | 446 | 523 | 566 | 300 | 399 | 496 | 587 | 607 | 313 | 430 | 546 | 641 | 640 | |
| | LDB | 63.91 | 58.70 | 53.63 | 48.67 | 45.88 | 66.49 | 61.46 | 56.49 | 51.85 | 50.71 | 68.35 | 63.45 | 58.62 | 54.58 | 54.51 | |
| 195 | LWB | 63.91 | 58.47 | 53.11 | 47.78 | 41.83 | 66.43 | 61.04 | 55.73 | 50.36 | 44.24 | 68.21 | 62.88 | 57.60 | 52.18 | 46.06 | |
| | KW | 44.71 | 44.13 | 43.66 | 43.27 | 43.09 | 45.02 | 44.40 | 43.88 | 43.48 | 43.42 | 45.21 | 44.55 | 44.01 | 43.66 | 43.64 | |
| | TC | 727 | 666 | 610 | 560 | 541 | 750 | 688 | 631 | 584 | 578 | 766 | 704 | 646 | 610 | 609 | |
| 105 | 130 | SHC | 270 | 352 | 431 | 508 | 541 | 283 | 383 | 480 | 569 | 578 | 296 | 413 | 528 | 610 | 609 |
| | | LDB | 64.78 | 59.59 | 54.53 | 49.60 | 47.38 | 67.23 | 62.21 | 57.27 | 52.72 | 52.10 | 68.98 | 64.09 | 59.30 | 55.83 | 55.73 |
| | | LWB | 64.78 | 59.34 | 53.98 | 48.61 | 42.59 | 67.16 | 61.78 | 56.46 | 51.07 | 44.91 | 68.83 | 63.49 | 58.20 | 52.71 | 46.64 |
| 163 | KW | 54.29 | 53.34 | 52.51 | 51.81 | 51.49 | 54.68 | 53.68 | 52.82 | 52.13 | 52.06 | 54.96 | 53.95 | 53.08 | 52.58 | 52.57 | |
| | TC | 735 | 673 | 615 | 565 | 544 | 759 | 696 | 637 | 589 | 582 | 775 | 712 | 652 | 614 | 614 | |
| | SHC | 273 | 354 | 433 | 510 | 544 | 286 | 385 | 483 | 571 | 582 | 299 | 416 | 531 | 614 | 614 | |
| 195 | LDB | 64.63 | 59.45 | 54.39 | 49.45 | 47.18 | 67.10 | 62.08 | 57.13 | 52.59 | 51.90 | 68.87 | 63.98 | 59.17 | 55.65 | 55.55 | |
| | LWB | 64.63 | 59.20 | 53.85 | 48.50 | 42.49 | 67.03 | 61.66 | 56.35 | 50.96 | 44.82 | 68.72 | 63.39 | 58.11 | 52.63 | 46.55 | |
| | KW | 52.27 | 51.48 | 50.78 | 50.21 | 49.93 | 52.61 | 51.78 | 51.04 | 50.47 | 50.39 | 52.85 | 52.00 | 51.25 | 50.83 | 50.82 | |
| 228 | TC | 739 | 677 | 618 | 568 | 546 | 764 | 700 | 640 | 592 | 585 | 781 | 717 | 657 | 617 | 616 | |
| | SHC | 274 | 356 | 435 | 512 | 546 | 288 | 387 | 484 | 573 | 585 | 301 | 418 | 533 | 617 | 616 | |
| | LDB | 64.54 | 59.36 | 54.30 | 49.37 | 47.05 | 67.02 | 62.01 | 57.05 | 52.51 | 51.77 | 68.80 | 63.91 | 59.11 | 55.52 | 55.43 | |
| 105 | 130 | LWB | 64.54 | 59.11 | 53.76 | 48.42 | 42.42 | 66.95 | 61.58 | 56.28 | 50.90 | 44.75 | 68.65 | 63.33 | 58.05 | 52.58 | 46.50 |
| | | KW | 50.97 | 50.27 | 49.68 | 49.21 | 48.95 | 51.28 | 50.54 | 49.90 | 49.42 | 49.35 | 51.50 | 50.73 | 50.08 | 49.72 | 49.70 |
| | | TC | 743 | 680 | 621 | 570 | 548 | 768 | 704 | 643 | 595 | 587 | 786 | 720 | 660 | 619 | 619 |
| 195 | SHC | 276 | 357 | 436 | 513 | 548 | 289 | 388 | 485 | 574 | 587 | 302 | 419 | 534 | 619 | 619 | |
| | LDB | 64.47 | 59.29 | 54.24 | 49.31 | 46.96 | 66.96 | 61.95 | 57.00 | 52.45 | 51.67 | 68.75 | 63.86 | 59.06 | 55.44 | 55.34 | |
| | LWB | 64.47 | 59.05 | 53.70 | 48.36 | 42.38 | 66.89 | 61.52 | 56.22 | 50.85 | 44.71 | 68.60 | 63.28 | 58.01 | 52.54 | 46.45 | |
| 105 | 130 | KW | 50.01 | 49.39 | 48.86 | 48.44 | 48.22 | 50.30 | 49.63 | 49.07 | 48.63 | 48.57 | 50.48 | 49.80 | 49.22 | 48.89 | 48.88 |

LEGEND

- | | |
|--|--|
| BF — Bypass Factor | LDB — Leaving Dry Bulb (F) |
| EDB — Entering Dry Bulb (F) | LWB — Leaving Wet Bulb (F) |
| EWB — Entering Wet Bulb (F) | SHC — Sensible Capacity (1000 Btu/hr) |
| EWT — Entering Water Temperature (F) | TC — Total Capacity (1000 Btu/hr) |
| kW — Compressor Motor Power Input (kilowatts) | |

Performance data (cont)



GROSS COOLING CAPACITIES (cont)

50XJD074 WITH (2) 13 HP COMPRESSORS AND (2) 15 HP COMPRESSORS

| EWT (F) | GPM | BF | AIR ENTERING EVAPORATOR — CFM AT 80 F EDB | | | | | | | | | | | | | | |
|---------|-------|-------|---|-------|-------|-------|-------|--------|-------|-------|-------|-------|--------|-------|-------|-------|-------|
| | | | 15,200 | | | | | 19,000 | | | | | 23,000 | | | | |
| | | | Air Entering Evaporator — Ewb (F) | | | | | | | | | | | | | | |
| | | | 77 | 72 | 67 | 62 | 57 | 77 | 72 | 67 | 62 | 57 | 77 | 72 | 67 | 62 | 57 |
| 0.001 | 0.053 | 0.055 | 0.056 | 0.132 | 0.027 | 0.072 | 0.071 | 0.081 | 0.253 | 0.063 | 0.089 | 0.088 | 0.118 | 0.347 | | | |
| 65 | 140 | TC | 894 | 819 | 749 | 686 | 640 | 931 | 853 | 782 | 719 | 690 | 957 | 879 | 806 | 746 | 730 |
| | | SHC | 329 | 412 | 493 | 571 | 640 | 345 | 445 | 544 | 639 | 690 | 359 | 478 | 595 | 704 | 730 |
| | | LDB | 61.44 | 56.08 | 50.91 | 45.87 | 41.41 | 64.43 | 59.32 | 54.28 | 49.38 | 46.72 | 66.63 | 61.66 | 56.73 | 52.13 | 50.92 |
| | | LWB | 61.44 | 55.91 | 50.48 | 45.11 | 39.51 | 64.43 | 58.97 | 53.58 | 48.21 | 42.25 | 66.55 | 61.14 | 55.80 | 50.40 | 44.33 |
| | 175 | TC | 900 | 824 | 753 | 689 | 642 | 938 | 859 | 787 | 723 | 693 | 964 | 885 | 811 | 750 | 733 |
| | | SHC | 331 | 414 | 494 | 573 | 642 | 348 | 448 | 546 | 641 | 693 | 362 | 480 | 597 | 706 | 733 |
| | | LDB | 61.31 | 55.96 | 50.81 | 45.78 | 41.27 | 64.32 | 59.19 | 54.18 | 49.29 | 46.58 | 66.54 | 61.56 | 56.64 | 52.05 | 50.78 |
| | | LWB | 61.31 | 55.79 | 50.37 | 45.02 | 39.44 | 64.32 | 58.87 | 53.49 | 48.13 | 42.18 | 66.46 | 61.05 | 55.71 | 50.33 | 44.26 |
| | 210 | TC | 904 | 827 | 755 | 691 | 644 | 943 | 863 | 790 | 725 | 694 | 970 | 889 | 815 | 753 | 736 |
| | | SHC | 333 | 416 | 496 | 574 | 644 | 349 | 450 | 547 | 643 | 694 | 363 | 482 | 599 | 707 | 736 |
| | | LDB | 61.23 | 55.88 | 50.74 | 45.71 | 41.18 | 64.25 | 59.12 | 54.12 | 49.23 | 46.50 | 66.47 | 61.50 | 56.59 | 51.99 | 50.68 |
| | | LWB | 61.23 | 55.72 | 50.31 | 44.96 | 39.39 | 64.25 | 58.80 | 53.42 | 48.07 | 42.14 | 66.39 | 61.00 | 55.66 | 50.28 | 44.22 |
| 245 | TC | 907 | 829 | 757 | 693 | 645 | 946 | 866 | 792 | 727 | 696 | 973 | 892 | 817 | 755 | 737 | |
| | SHC | 334 | 417 | 496 | 574 | 645 | 351 | 451 | 548 | 643 | 696 | 365 | 483 | 600 | 708 | 737 | |
| | LDB | 61.17 | 55.83 | 50.69 | 45.67 | 41.12 | 64.19 | 59.07 | 54.07 | 49.19 | 46.44 | 66.43 | 61.46 | 56.55 | 51.96 | 50.63 | |
| | LWB | 61.17 | 55.66 | 50.26 | 44.92 | 39.36 | 64.19 | 58.75 | 53.38 | 48.04 | 42.11 | 66.35 | 60.95 | 55.62 | 50.25 | 44.19 | |
| 75 | 140 | TC | 871 | 797 | 729 | 668 | 626 | 904 | 830 | 760 | 699 | 674 | 929 | 854 | 783 | 726 | 713 |
| | | SHC | 320 | 404 | 484 | 562 | 626 | 336 | 436 | 535 | 630 | 674 | 350 | 468 | 585 | 693 | 713 |
| | | LDB | 61.92 | 56.59 | 51.43 | 46.40 | 42.27 | 64.85 | 59.75 | 54.71 | 49.84 | 47.48 | 66.98 | 62.01 | 57.10 | 52.56 | 51.58 |
| | | LWB | 61.92 | 56.40 | 50.98 | 45.62 | 39.96 | 64.84 | 59.39 | 54.01 | 48.64 | 42.64 | 66.89 | 61.49 | 56.14 | 50.74 | 44.66 |
| | 175 | TC | 877 | 803 | 734 | 672 | 628 | 912 | 836 | 766 | 704 | 677 | 938 | 861 | 789 | 731 | 717 |
| | | SHC | 323 | 406 | 486 | 564 | 628 | 339 | 439 | 537 | 632 | 677 | 353 | 471 | 588 | 695 | 717 |
| | | LDB | 61.78 | 56.46 | 51.31 | 46.29 | 42.11 | 64.73 | 59.63 | 54.61 | 49.74 | 47.32 | 66.88 | 61.91 | 57.00 | 52.47 | 51.43 |
| | | LWB | 61.78 | 56.27 | 50.86 | 45.51 | 39.88 | 64.72 | 59.27 | 53.90 | 48.54 | 42.56 | 66.79 | 61.39 | 56.05 | 50.66 | 44.58 |
| | 210 | TC | 882 | 807 | 737 | 675 | 630 | 917 | 840 | 769 | 707 | 680 | 943 | 866 | 793 | 734 | 719 |
| | | SHC | 324 | 407 | 487 | 565 | 630 | 341 | 440 | 538 | 633 | 680 | 354 | 473 | 589 | 697 | 719 |
| | | LDB | 61.69 | 56.37 | 51.23 | 46.21 | 42.00 | 64.64 | 59.56 | 54.54 | 49.67 | 47.21 | 66.81 | 61.84 | 56.94 | 52.40 | 51.33 |
| | | LWB | 61.69 | 56.19 | 50.78 | 45.44 | 39.82 | 64.64 | 59.20 | 53.84 | 48.48 | 42.50 | 66.72 | 61.33 | 56.00 | 50.61 | 44.53 |
| 245 | TC | 885 | 809 | 739 | 676 | 631 | 921 | 844 | 772 | 709 | 681 | 947 | 869 | 796 | 736 | 721 | |
| | SHC | 326 | 408 | 488 | 566 | 631 | 342 | 442 | 540 | 634 | 681 | 356 | 474 | 591 | 698 | 721 | |
| | LDB | 61.63 | 56.31 | 51.17 | 46.16 | 41.92 | 64.58 | 59.49 | 54.48 | 49.63 | 47.14 | 66.76 | 61.80 | 56.89 | 52.35 | 51.26 | |
| | LWB | 61.63 | 56.13 | 50.73 | 45.39 | 39.78 | 64.58 | 59.14 | 53.79 | 48.44 | 42.46 | 66.67 | 61.28 | 55.95 | 50.57 | 44.50 | |
| 85 | 140 | TC | 844 | 773 | 707 | 648 | 610 | 875 | 803 | 736 | 678 | 656 | 899 | 826 | 758 | 703 | 694 |
| | | SHC | 311 | 394 | 474 | 552 | 610 | 326 | 426 | 524 | 619 | 656 | 340 | 458 | 575 | 680 | 694 |
| | | LDB | 62.47 | 57.17 | 52.02 | 47.01 | 43.21 | 65.31 | 60.22 | 55.19 | 50.36 | 48.35 | 67.36 | 62.41 | 57.51 | 53.05 | 52.35 |
| | | LWB | 62.47 | 56.97 | 51.56 | 46.21 | 40.46 | 65.29 | 59.84 | 54.47 | 49.10 | 43.07 | 67.26 | 61.86 | 56.53 | 51.14 | 45.03 |
| | 175 | TC | 851 | 779 | 712 | 652 | 613 | 883 | 810 | 742 | 683 | 660 | 908 | 834 | 764 | 708 | 698 |
| | | SHC | 313 | 396 | 476 | 554 | 613 | 329 | 429 | 527 | 621 | 660 | 343 | 461 | 578 | 683 | 698 |
| | | LDB | 62.32 | 57.01 | 51.88 | 46.88 | 43.04 | 65.18 | 60.09 | 55.07 | 50.25 | 48.17 | 67.25 | 62.30 | 57.40 | 52.95 | 52.16 |
| | | LWB | 62.32 | 56.82 | 51.43 | 46.09 | 40.37 | 65.16 | 59.72 | 54.36 | 49.00 | 42.98 | 67.15 | 61.76 | 56.43 | 51.05 | 44.94 |
| | 210 | TC | 856 | 783 | 715 | 655 | 615 | 889 | 815 | 746 | 686 | 662 | 914 | 839 | 769 | 711 | 701 |
| | | SHC | 315 | 398 | 478 | 555 | 615 | 331 | 430 | 529 | 623 | 662 | 345 | 463 | 579 | 685 | 701 |
| | | LDB | 62.21 | 56.92 | 51.79 | 46.80 | 42.92 | 65.09 | 60.01 | 55.00 | 50.17 | 48.05 | 67.17 | 62.23 | 57.33 | 52.87 | 52.05 |
| | | LWB | 62.21 | 56.73 | 51.34 | 46.01 | 40.31 | 65.07 | 59.65 | 54.29 | 48.93 | 42.92 | 67.07 | 61.69 | 56.37 | 50.99 | 44.88 |
| 245 | TC | 860 | 786 | 718 | 657 | 616 | 893 | 818 | 748 | 688 | 664 | 918 | 842 | 772 | 714 | 703 | |
| | SHC | 317 | 399 | 479 | 556 | 616 | 332 | 432 | 530 | 624 | 664 | 346 | 464 | 581 | 686 | 703 | |
| | LDB | 62.14 | 56.85 | 51.73 | 46.74 | 42.84 | 65.03 | 59.95 | 54.94 | 50.12 | 47.96 | 67.12 | 62.18 | 57.28 | 52.82 | 51.97 | |
| | LWB | 62.14 | 56.66 | 51.28 | 45.95 | 40.26 | 65.01 | 59.59 | 54.23 | 48.88 | 42.88 | 67.02 | 61.64 | 56.32 | 50.95 | 44.84 | |

LEGEND

- BF — Bypass Factor
- EDB — Entering Dry Bulb (F)
- EWB — Entering Wet Bulb (F)
- EWT — Entering Water Temperature (F)
- kW — Compressor Motor Power Input (kilowatts)
- LDB — Leaving Dry Bulb (F)
- LWB — Leaving Wet Bulb (F)
- SHC — Sensible Capacity (1000 Btu/hr)
- TC — Total Capacity (1000 Btu/hr)



GROSS COOLING CAPACITIES (cont)

50XJD074 WITH (2) 13 HP COMPRESSORS AND (2) 15 HP COMPRESSORS (cont)

| EWT (F) | GPM | BF | AIR ENTERING EVAPORATOR — CFM AT 80 F EDB | | | | | | | | | | | | | | |
|---------|-------|-------|---|-------|-------|-------|-------|--------|-------|-------|-------|-------|--------|-------|-------|-------|-------|
| | | | 15,200 | | | | | 19,000 | | | | | 23,000 | | | | |
| | | | Air Entering Evaporator — Ewb (F) | | | | | | | | | | | | | | |
| | | | 77 | 72 | 67 | 62 | 57 | 77 | 72 | 67 | 62 | 57 | 77 | 72 | 67 | 62 | 57 |
| 0.001 | 0.053 | 0.055 | 0.056 | 0.132 | 0.027 | 0.072 | 0.071 | 0.081 | 0.253 | 0.063 | 0.089 | 0.088 | 0.118 | 0.347 | | | |
| 95 | 140 | TC | 814 | 745 | 682 | 625 | 593 | 844 | 774 | 710 | 654 | 637 | 866 | 795 | 730 | 677 | 672 |
| | | SHC | 300 | 383 | 462 | 540 | 593 | 315 | 415 | 513 | 607 | 637 | 329 | 447 | 563 | 665 | 672 |
| | | LDB | 63.07 | 57.79 | 52.69 | 47.67 | 44.24 | 65.80 | 60.72 | 55.72 | 50.93 | 49.29 | 67.77 | 62.84 | 57.97 | 53.63 | 53.21 |
| | | LWB | 63.07 | 57.59 | 52.19 | 46.84 | 40.99 | 65.76 | 60.33 | 54.98 | 49.60 | 43.54 | 67.65 | 62.28 | 56.96 | 51.57 | 45.44 |
| | KW | 55.26 | 54.23 | 53.34 | 52.59 | 52.21 | 55.75 | 54.71 | 53.77 | 53.04 | 52.77 | 56.15 | 55.06 | 54.09 | 53.33 | 53.28 | |
| | 175 | TC | 822 | 752 | 688 | 630 | 596 | 853 | 782 | 716 | 660 | 641 | 876 | 804 | 736 | 683 | 677 |
| | | SHC | 303 | 385 | 465 | 543 | 596 | 318 | 418 | 516 | 609 | 641 | 332 | 450 | 566 | 669 | 677 |
| | | LDB | 62.91 | 57.64 | 52.54 | 47.53 | 44.05 | 65.66 | 60.59 | 55.59 | 50.81 | 49.09 | 67.65 | 62.72 | 57.84 | 53.51 | 53.02 |
| | | LWB | 62.91 | 57.44 | 52.05 | 46.71 | 40.89 | 65.63 | 60.21 | 54.86 | 49.49 | 43.44 | 67.53 | 62.17 | 56.86 | 51.47 | 45.35 |
| | KW | 53.13 | 52.27 | 51.54 | 50.90 | 50.57 | 53.55 | 52.65 | 51.89 | 51.28 | 51.04 | 53.91 | 52.96 | 52.15 | 51.53 | 51.46 | |
| | 210 | TC | 827 | 757 | 691 | 633 | 598 | 858 | 787 | 720 | 663 | 643 | 882 | 809 | 741 | 687 | 680 |
| | | SHC | 305 | 387 | 467 | 544 | 598 | 320 | 420 | 518 | 611 | 643 | 334 | 452 | 568 | 671 | 680 |
| LDB | | 62.80 | 57.54 | 52.44 | 47.44 | 43.92 | 65.57 | 60.51 | 55.51 | 50.73 | 48.97 | 67.57 | 62.64 | 57.77 | 53.42 | 52.89 | |
| LWB | | 62.80 | 57.34 | 51.95 | 46.63 | 40.82 | 65.54 | 60.13 | 54.78 | 49.42 | 43.38 | 67.46 | 62.09 | 56.79 | 51.41 | 45.29 | |
| KW | 51.73 | 50.97 | 50.33 | 49.79 | 49.52 | 52.10 | 51.30 | 50.63 | 50.11 | 49.90 | 52.42 | 51.59 | 50.86 | 50.32 | 50.27 | | |
| 245 | TC | 831 | 760 | 694 | 635 | 600 | 863 | 790 | 723 | 665 | 645 | 886 | 813 | 744 | 689 | 682 | |
| | SHC | 306 | 388 | 468 | 545 | 600 | 322 | 421 | 519 | 612 | 645 | 335 | 453 | 569 | 672 | 682 | |
| | LDB | 62.72 | 57.46 | 52.37 | 47.38 | 43.83 | 65.50 | 60.44 | 55.45 | 50.67 | 48.88 | 67.51 | 62.59 | 57.72 | 53.36 | 52.80 | |
| | LWB | 62.72 | 57.26 | 51.89 | 46.57 | 40.78 | 65.48 | 60.07 | 54.72 | 49.37 | 43.33 | 67.40 | 62.04 | 56.74 | 51.36 | 45.25 | |
| KW | 50.72 | 50.03 | 49.47 | 49.01 | 48.75 | 51.05 | 50.33 | 49.73 | 49.29 | 49.10 | 51.36 | 50.59 | 49.95 | 49.47 | 49.42 | | |
| 105 | 140 | TC | 782 | 716 | 655 | 601 | 574 | 810 | 744 | 681 | 628 | 616 | 829 | 762 | 699 | 651 | 649 |
| | | SHC | 289 | 371 | 451 | 528 | 574 | 304 | 403 | 501 | 593 | 616 | 317 | 434 | 550 | 651 | 649 |
| | | LDB | 63.70 | 58.46 | 53.37 | 48.38 | 45.40 | 66.32 | 61.27 | 56.29 | 51.57 | 50.29 | 68.21 | 63.30 | 58.45 | 54.21 | 54.14 |
| | | LWB | 63.70 | 58.24 | 52.85 | 47.50 | 41.59 | 66.27 | 60.86 | 55.51 | 50.15 | 44.03 | 68.08 | 62.73 | 57.42 | 52.02 | 45.89 |
| | KW | 61.61 | 60.47 | 59.48 | 58.64 | 58.20 | 62.17 | 61.01 | 59.98 | 59.09 | 58.95 | 62.50 | 61.32 | 60.26 | 59.46 | 59.45 | |
| | 175 | TC | 791 | 723 | 661 | 606 | 577 | 819 | 752 | 688 | 634 | 620 | 839 | 771 | 706 | 656 | 654 |
| | | SHC | 292 | 374 | 453 | 531 | 577 | 307 | 406 | 504 | 596 | 620 | 320 | 438 | 553 | 656 | 654 |
| | | LDB | 63.54 | 58.30 | 53.21 | 48.23 | 45.18 | 66.17 | 61.12 | 56.14 | 51.43 | 50.08 | 68.09 | 63.17 | 58.32 | 53.99 | 53.94 |
| | | LWB | 63.54 | 58.08 | 52.71 | 47.37 | 41.47 | 66.13 | 60.72 | 55.39 | 50.03 | 43.93 | 67.96 | 62.61 | 57.32 | 51.93 | 45.79 |
| | KW | 59.30 | 58.38 | 57.54 | 56.82 | 56.47 | 59.78 | 58.83 | 57.97 | 57.23 | 57.06 | 60.09 | 59.10 | 58.20 | 57.54 | 57.49 | |
| | 210 | TC | 796 | 728 | 665 | 609 | 580 | 825 | 757 | 692 | 637 | 623 | 846 | 776 | 711 | 661 | 657 |
| | | SHC | 294 | 376 | 455 | 533 | 580 | 309 | 408 | 506 | 598 | 623 | 322 | 440 | 555 | 653 | 657 |
| | | LDB | 63.43 | 58.19 | 53.11 | 48.13 | 45.03 | 66.08 | 61.03 | 56.05 | 51.34 | 49.95 | 68.01 | 63.09 | 58.24 | 54.13 | 53.81 |
| | | LWB | 63.43 | 57.98 | 52.61 | 47.28 | 41.40 | 66.04 | 60.64 | 55.30 | 49.96 | 43.86 | 67.88 | 62.54 | 57.25 | 51.84 | 45.73 |
| | KW | 57.80 | 56.96 | 56.25 | 55.64 | 55.35 | 58.22 | 57.36 | 56.63 | 55.99 | 55.84 | 60.09 | 59.10 | 58.20 | 57.54 | 57.49 | |
| | 245 | TC | 800 | 731 | 668 | 611 | 582 | 830 | 760 | 695 | 640 | 625 | 851 | 780 | 714 | 663 | 660 |
| SHC | | 295 | 377 | 456 | 534 | 582 | 310 | 410 | 507 | 599 | 625 | 324 | 441 | 557 | 657 | 660 | |
| LDB | | 63.35 | 58.12 | 53.05 | 48.07 | 44.93 | 66.01 | 60.97 | 55.99 | 51.28 | 49.85 | 67.95 | 63.04 | 58.19 | 53.97 | 53.71 | |
| LWB | | 63.35 | 57.91 | 52.54 | 47.22 | 41.34 | 65.97 | 60.58 | 55.25 | 49.90 | 43.82 | 67.83 | 62.48 | 57.20 | 51.81 | 45.68 | |
| KW | 56.70 | 55.96 | 55.33 | 54.79 | 54.54 | 57.08 | 56.32 | 55.66 | 55.12 | 54.97 | 57.35 | 56.54 | 55.83 | 55.33 | 55.29 | | |

LEGEND

- BF** — Bypass Factor
- EDB** — Entering Dry Bulb (F)
- EWB** — Entering Wet Bulb (F)
- EWT** — Entering Water Temperature (F)
- kW** — Compressor Motor Power Input (kilowatts)
- LDB** — Leaving Dry Bulb (F)
- LWB** — Leaving Wet Bulb (F)
- SHC** — Sensible Capacity (1000 Btu/hr)
- TC** — Total Capacity (1000 Btu/hr)

Performance data (cont)



GROSS COOLING CAPACITIES (cont) 50XJE074 WITH (4) 15 HP COMPRESSORS

| EWT (F) | GPM | BF | AIR ENTERING EVAPORATOR — CFM AT 80 F EDB | | | | | | | | | | | | | | |
|---------|-------|-------|---|-------|-------|-------|-------|--------|-------|-------|-------|-------|--------|-------|-------|-------|-------|
| | | | 15,200 | | | | | 19,000 | | | | | 23,000 | | | | |
| | | | Air Entering Evaporator — Ewb (F) | | | | | | | | | | | | | | |
| | | | 77 | 72 | 67 | 62 | 57 | 77 | 72 | 67 | 62 | 57 | 77 | 72 | 67 | 62 | 57 |
| 0.001 | 0.051 | 0.054 | 0.054 | 0.095 | 0.018 | 0.07 | 0.071 | 0.076 | 0.211 | 0.052 | 0.088 | 0.087 | 0.106 | 0.31 | | | |
| 65 | 150 | TC | 952 | 871 | 796 | 729 | 676 | 995 | 912 | 836 | 767 | 726 | 1024 | 941 | 863 | 795 | 771 |
| | | SHC | 350 | 434 | 515 | 593 | 666 | 367 | 469 | 567 | 664 | 726 | 382 | 501 | 619 | 730 | 771 |
| | | LDB | 60.23 | 54.81 | 49.63 | 44.57 | 39.87 | 63.43 | 58.23 | 53.18 | 48.24 | 44.96 | 65.77 | 60.76 | 55.81 | 51.09 | 49.26 |
| | | LWB | 60.23 | 54.68 | 49.23 | 43.87 | 38.34 | 63.43 | 57.93 | 52.52 | 47.16 | 41.36 | 65.72 | 60.28 | 54.91 | 49.54 | 43.52 |
| | KW | 45.33 | 44.16 | 43.25 | 42.42 | 41.82 | 46.04 | 44.77 | 43.80 | 42.93 | 42.41 | 46.42 | 45.17 | 44.10 | 43.29 | 43.00 | |
| | 188 | TC | 959 | 876 | 801 | 732 | 679 | 1002 | 918 | 841 | 771 | 729 | 1033 | 948 | 869 | 800 | 775 |
| | | SHC | 353 | 437 | 517 | 595 | 667 | 370 | 472 | 570 | 666 | 729 | 385 | 504 | 622 | 733 | 775 |
| | | LDB | 60.08 | 54.67 | 49.51 | 44.44 | 39.76 | 63.31 | 58.11 | 53.08 | 48.14 | 44.81 | 65.65 | 60.65 | 55.71 | 51.00 | 49.10 |
| | | LWB | 60.08 | 54.54 | 49.11 | 43.77 | 38.25 | 63.31 | 57.82 | 52.41 | 47.06 | 41.28 | 65.60 | 60.17 | 54.81 | 49.45 | 43.44 |
| | KW | 43.71 | 42.68 | 41.81 | 41.08 | 40.54 | 44.31 | 43.24 | 42.31 | 41.53 | 41.07 | 44.75 | 43.63 | 42.63 | 41.84 | 41.59 | |
| | 225 | TC | 963 | 880 | 804 | 734 | 681 | 1007 | 922 | 844 | 774 | 731 | 1039 | 953 | 873 | 803 | 778 |
| | | SHC | 354 | 438 | 518 | 596 | 669 | 372 | 473 | 571 | 667 | 731 | 387 | 506 | 623 | 734 | 778 |
| LDB | | 59.99 | 54.58 | 49.43 | 44.37 | 39.69 | 63.23 | 58.04 | 53.01 | 48.07 | 44.72 | 65.58 | 60.59 | 55.65 | 50.94 | 49.00 | |
| LWB | | 59.99 | 54.46 | 49.03 | 43.71 | 38.20 | 63.23 | 57.75 | 52.35 | 47.00 | 41.23 | 65.53 | 60.11 | 54.75 | 49.40 | 43.39 | |
| KW | 42.68 | 41.72 | 40.90 | 40.21 | 39.71 | 43.27 | 42.23 | 41.38 | 40.64 | 40.19 | 43.71 | 42.61 | 41.69 | 40.94 | 40.69 | | |
| 263 | TC | 966 | 883 | 806 | 736 | 682 | 1011 | 925 | 847 | 776 | 733 | 1043 | 956 | 875 | 805 | 779 | |
| | SHC | 355 | 439 | 519 | 597 | 669 | 373 | 474 | 572 | 668 | 733 | 389 | 507 | 624 | 735 | 779 | |
| | LDB | 59.92 | 54.52 | 49.37 | 44.32 | 39.64 | 63.17 | 57.99 | 52.96 | 48.03 | 44.65 | 65.53 | 60.54 | 55.60 | 50.89 | 48.94 | |
| | LWB | 59.92 | 54.40 | 48.98 | 43.66 | 38.16 | 63.17 | 57.70 | 52.30 | 46.96 | 41.20 | 65.48 | 60.06 | 54.71 | 49.36 | 43.36 | |
| KW | 41.98 | 41.03 | 40.24 | 39.59 | 39.13 | 42.52 | 41.54 | 40.69 | 40.00 | 39.57 | 42.95 | 41.91 | 41.00 | 40.27 | 40.04 | | |
| 75 | 150 | TC | 926 | 848 | 776 | 710 | 659 | 967 | 887 | 812 | 746 | 710 | 995 | 914 | 838 | 774 | 753 |
| | | SHC | 341 | 425 | 505 | 583 | 659 | 358 | 459 | 557 | 653 | 710 | 372 | 491 | 609 | 719 | 753 |
| | | LDB | 60.76 | 55.36 | 50.19 | 45.14 | 40.27 | 63.87 | 58.70 | 53.66 | 48.73 | 45.73 | 66.15 | 61.15 | 56.20 | 51.53 | 49.98 |
| | | LWB | 60.76 | 55.22 | 49.77 | 44.41 | 38.91 | 63.87 | 58.39 | 52.98 | 47.62 | 41.75 | 66.09 | 60.66 | 55.29 | 49.92 | 43.87 |
| | KW | 49.86 | 48.84 | 47.96 | 47.23 | 46.69 | 50.47 | 49.37 | 48.44 | 47.65 | 47.25 | 50.88 | 49.73 | 48.76 | 47.99 | 47.74 | |
| | 188 | TC | 934 | 854 | 781 | 714 | 664 | 976 | 894 | 818 | 751 | 714 | 1004 | 922 | 845 | 779 | 757 |
| | | SHC | 343 | 427 | 507 | 585 | 657 | 361 | 462 | 560 | 656 | 714 | 375 | 494 | 611 | 722 | 757 |
| | | LDB | 60.60 | 55.21 | 50.05 | 45.02 | 40.39 | 63.73 | 58.56 | 53.54 | 48.62 | 45.56 | 66.03 | 61.03 | 56.10 | 51.42 | 49.81 |
| | | LWB | 60.60 | 55.07 | 49.64 | 44.30 | 38.75 | 63.73 | 58.26 | 52.87 | 47.52 | 41.66 | 65.97 | 60.55 | 55.19 | 49.82 | 43.79 |
| | KW | 47.95 | 46.94 | 46.21 | 45.60 | 45.17 | 48.55 | 47.49 | 46.61 | 45.97 | 45.61 | 48.92 | 47.84 | 46.88 | 46.23 | 46.03 | |
| | 225 | TC | 939 | 858 | 784 | 717 | 666 | 981 | 899 | 822 | 754 | 716 | 1010 | 927 | 849 | 782 | 760 |
| | | SHC | 345 | 429 | 509 | 587 | 658 | 363 | 464 | 562 | 657 | 716 | 377 | 496 | 613 | 724 | 760 |
| LDB | | 60.50 | 55.12 | 49.97 | 44.94 | 40.30 | 63.64 | 58.48 | 53.46 | 48.54 | 45.45 | 65.95 | 60.96 | 56.04 | 51.36 | 49.70 | |
| LWB | | 60.50 | 54.98 | 49.56 | 44.22 | 38.68 | 63.64 | 58.17 | 52.79 | 47.45 | 41.61 | 65.89 | 60.48 | 55.13 | 49.76 | 43.74 | |
| KW | 46.75 | 45.86 | 45.08 | 44.54 | 44.18 | 47.31 | 46.34 | 45.52 | 44.86 | 44.55 | 47.67 | 46.65 | 45.80 | 45.10 | 44.91 | | |
| 263 | TC | 942 | 861 | 786 | 719 | 667 | 985 | 902 | 825 | 756 | 718 | 1015 | 931 | 852 | 785 | 762 | |
| | SHC | 346 | 430 | 510 | 588 | 659 | 364 | 465 | 563 | 658 | 718 | 379 | 498 | 614 | 725 | 762 | |
| | LDB | 60.43 | 55.05 | 49.91 | 44.88 | 40.24 | 63.58 | 58.41 | 53.40 | 48.49 | 45.38 | 65.89 | 60.91 | 55.98 | 51.31 | 49.62 | |
| | LWB | 60.43 | 54.91 | 49.50 | 44.16 | 38.64 | 63.57 | 58.11 | 52.73 | 47.40 | 41.57 | 65.83 | 60.42 | 55.08 | 49.72 | 43.70 | |
| KW | 45.90 | 45.04 | 44.32 | 43.78 | 43.47 | 46.43 | 45.51 | 44.72 | 44.09 | 43.78 | 46.77 | 45.81 | 44.98 | 44.34 | 44.15 | | |
| 85 | 150 | TC | 899 | 823 | 753 | 689 | 642 | 935 | 858 | 786 | 722 | 693 | 962 | 884 | 811 | 750 | 733 |
| | | SHC | 330 | 414 | 494 | 573 | 642 | 347 | 448 | 546 | 641 | 693 | 361 | 480 | 597 | 706 | 733 |
| | | LDB | 61.34 | 55.98 | 50.81 | 45.77 | 41.30 | 64.36 | 59.21 | 54.19 | 49.28 | 46.59 | 66.56 | 61.58 | 56.65 | 52.03 | 50.78 |
| | | LWB | 61.34 | 55.81 | 50.38 | 45.02 | 39.45 | 64.36 | 58.89 | 53.50 | 48.14 | 42.19 | 66.49 | 61.07 | 55.72 | 50.33 | 44.27 |
| | KW | 55.54 | 54.48 | 53.53 | 52.76 | 52.13 | 56.11 | 54.96 | 53.98 | 53.15 | 52.83 | 56.55 | 55.37 | 54.37 | 53.54 | 53.31 | |
| | 188 | TC | 907 | 830 | 758 | 694 | 645 | 945 | 866 | 793 | 728 | 696 | 972 | 893 | 818 | 755 | 738 |
| | | SHC | 333 | 417 | 497 | 575 | 645 | 350 | 451 | 549 | 644 | 696 | 364 | 483 | 600 | 709 | 738 |
| | | LDB | 61.17 | 55.81 | 50.67 | 45.63 | 41.09 | 64.21 | 59.07 | 54.05 | 49.16 | 46.40 | 66.43 | 61.46 | 56.53 | 51.91 | 50.60 |
| | | LWB | 61.17 | 55.66 | 50.24 | 44.89 | 39.34 | 64.21 | 58.75 | 53.37 | 48.02 | 42.09 | 66.36 | 60.95 | 55.61 | 50.23 | 44.18 |
| | KW | 53.29 | 52.38 | 51.62 | 50.97 | 50.48 | 53.80 | 52.81 | 52.00 | 51.30 | 51.02 | 54.18 | 53.15 | 52.28 | 51.63 | 51.42 | |
| | 225 | TC | 912 | 834 | 762 | 697 | 647 | 951 | 871 | 797 | 731 | 699 | 979 | 898 | 823 | 759 | 741 |
| | | SHC | 335 | 419 | 499 | 576 | 647 | 352 | 453 | 551 | 646 | 699 | 367 | 485 | 602 | 711 | 741 |
| LDB | | 61.07 | 55.71 | 50.57 | 45.55 | 40.96 | 64.11 | 58.98 | 53.97 | 49.08 | 46.29 | 66.35 | 61.38 | 56.46 | 51.84 | 50.48 | |
| LWB | | 61.07 | 55.56 | 50.14 | 44.81 | 39.27 | 64.11 | 58.67 | 53.29 | 47.95 | 42.03 | 66.28 | 60.88 | 55.54 | 50.17 | 44.12 | |
| KW | 51.85 | 51.05 | 50.37 | 49.81 | 49.41 | 52.30 | 51.44 | 50.70 | 50.10 | 49.85 | 52.62 | 51.72 | 50.97 | 50.38 | 50.19 | | |
| 263 | TC | 916 | 837 | 764 | 699 | 649 | 955 | 875 | 800 | 734 | 701 | 984 | 902 | 826 | 762 | 743 | |
| | SHC | 337 | 420 | 500 | 577 | 649 | 354 | 454 | 552 | 647 | 701 | 368 | 487 | 603 | 713 | 743 | |
| | LDB | 60.99 | 55.64 | 50.50 | 45.48 | 40.86 | 64.05 | 58.91 | 53.91 | 49.02 | 46.20 | 66.29 | 61.32 | 56.40 | 51.78 | 50.40 | |
| | LWB | 60.99 | 55.48 | 50.07 | 44.75 | 39.22 | 64.05 | 58.60 | 53.23 | 47.89 | 41.99 | 66.22 | 60.82 | 55.49 | 50.12 | 44.08 | |
| KW | 50.79 | 50.05 | 49.46 | 48.98 | 48.63 | 51.23 | 50.42 | 49.75 | 49.22 | 49.01 | 51.52 | 50.68 | 49.98 | 49.46 | 49.30 | | |

LEGEND

- BF — Bypass Factor
- EDB — Entering Dry Bulb (F)
- EWB — Entering Wet Bulb (F)
- EWT — Entering Water Temperature (F)
- KW — Compressor Motor Power Input (kilowatts)
- LDB — Leaving Dry Bulb (F)
- LWB — Leaving Wet Bulb (F)
- SHC — Sensible Capacity (1000 Btu/hr)
- TC — Total Capacity (1000 Btu/hr)



COOLING CAPACITIES (cont)
50XJE074 WITH (4) 15 HP COMPRESSORS (cont)

| EWT (F) | GPM | BF | AIR ENTERING EVAPORATOR — CFM AT 80 F EDB | | | | | | | | | | | | | | |
|---------|-------|-------|---|-------|-------|-------|-------|--------|-------|-------|-------|-------|--------|-------|-------|-------|-------|
| | | | 15,200 | | | | | 19,000 | | | | | 23,000 | | | | |
| | | | Air Entering Evaporator — Ewb (F) | | | | | | | | | | | | | | |
| | | | 77 | 72 | 67 | 62 | 57 | 77 | 72 | 67 | 62 | 57 | 77 | 72 | 67 | 62 | 57 |
| 0.001 | 0.051 | 0.054 | 0.054 | 0.095 | 0.018 | 0.07 | 0.071 | 0.076 | 0.211 | 0.052 | 0.088 | 0.087 | 0.106 | 0.31 | | | |
| 95 | 150 | TC | 868 | 795 | 727 | 666 | 623 | 901 | 827 | 758 | 697 | 672 | 927 | 852 | 782 | 723 | 711 |
| | | SHC | 319 | 403 | 483 | 561 | 623 | 335 | 435 | 534 | 629 | 672 | 349 | 468 | 584 | 692 | 711 |
| | | LDB | 61.97 | 56.64 | 51.49 | 46.47 | 42.43 | 64.88 | 59.79 | 54.76 | 49.89 | 47.60 | 67.01 | 62.04 | 57.14 | 52.59 | 51.66 |
| | | LWB | 61.97 | 56.46 | 51.04 | 45.70 | 40.05 | 64.88 | 59.43 | 54.05 | 48.68 | 42.70 | 66.92 | 61.51 | 56.17 | 50.79 | 44.69 |
| | KW | 61.97 | 60.80 | 59.75 | 58.86 | 58.19 | 62.50 | 61.29 | 60.21 | 59.32 | 58.95 | 62.99 | 61.74 | 60.66 | 59.74 | 59.58 | |
| | 188 | TC | 877 | 802 | 733 | 671 | 627 | 911 | 836 | 765 | 703 | 676 | 937 | 861 | 789 | 729 | 716 |
| | | SHC | 323 | 406 | 486 | 563 | 627 | 339 | 439 | 537 | 632 | 676 | 353 | 471 | 588 | 695 | 716 |
| | | LDB | 61.79 | 56.47 | 51.32 | 46.32 | 42.21 | 64.73 | 59.64 | 54.61 | 49.75 | 47.39 | 66.87 | 61.92 | 57.00 | 52.46 | 51.46 |
| | | LWB | 61.79 | 56.29 | 50.88 | 45.55 | 39.93 | 64.73 | 59.28 | 53.92 | 48.56 | 42.59 | 66.79 | 61.39 | 56.06 | 50.68 | 44.60 |
| | KW | 59.52 | 58.55 | 57.70 | 56.94 | 56.39 | 64.99 | 59.99 | 58.06 | 57.31 | 57.01 | 60.40 | 59.33 | 58.41 | 57.70 | 57.52 | |
| | 225 | TC | 882 | 807 | 737 | 674 | 629 | 918 | 841 | 769 | 706 | 679 | 944 | 867 | 794 | 733 | 719 |
| | | SHC | 325 | 408 | 487 | 565 | 629 | 341 | 441 | 539 | 633 | 679 | 355 | 473 | 590 | 698 | 719 |
| LDB | | 61.68 | 56.36 | 51.22 | 46.22 | 42.06 | 64.63 | 59.54 | 54.52 | 49.66 | 47.25 | 66.79 | 61.83 | 56.92 | 52.37 | 51.33 | |
| LWB | | 61.68 | 56.18 | 50.78 | 45.46 | 39.86 | 64.63 | 59.19 | 53.83 | 48.49 | 42.52 | 66.70 | 61.31 | 55.98 | 50.61 | 44.54 | |
| KW | 57.94 | 57.10 | 56.36 | 55.72 | 55.24 | 58.36 | 57.46 | 56.66 | 56.02 | 55.76 | 58.71 | 57.79 | 56.97 | 56.36 | 56.18 | | |
| 263 | TC | 886 | 810 | 740 | 676 | 631 | 923 | 845 | 772 | 709 | 681 | 949 | 871 | 797 | 736 | 722 | |
| | SHC | 326 | 409 | 489 | 566 | 631 | 342 | 442 | 540 | 635 | 681 | 357 | 475 | 591 | 699 | 722 | |
| | LDB | 61.60 | 56.28 | 51.15 | 46.15 | 41.97 | 64.56 | 59.47 | 54.46 | 49.60 | 47.15 | 66.72 | 61.77 | 56.87 | 52.31 | 51.24 | |
| | LWB | 61.60 | 56.11 | 50.71 | 45.39 | 39.80 | 64.56 | 59.13 | 53.77 | 48.43 | 42.47 | 66.64 | 61.26 | 55.93 | 50.56 | 44.49 | |
| KW | 56.78 | 56.01 | 55.38 | 54.83 | 54.39 | 57.17 | 56.33 | 55.64 | 55.07 | 54.86 | 57.51 | 56.64 | 55.91 | 55.38 | 55.21 | | |
| 105 | 150 | TC | 834 | 764 | 699 | 640 | 604 | 865 | 794 | 728 | 670 | 649 | 889 | 817 | 749 | 694 | 687 |
| | | SHC | 307 | 390 | 470 | 548 | 604 | 323 | 423 | 521 | 615 | 649 | 336 | 455 | 571 | 676 | 687 |
| | | LDB | 62.67 | 57.37 | 52.26 | 47.24 | 43.60 | 65.45 | 60.37 | 55.35 | 50.54 | 48.68 | 67.47 | 62.53 | 57.65 | 53.22 | 52.64 |
| | | LWB | 62.67 | 57.17 | 51.77 | 46.43 | 40.66 | 65.43 | 60.00 | 54.63 | 49.27 | 43.24 | 67.37 | 61.99 | 56.67 | 51.29 | 45.17 |
| | KW | 69.03 | 67.73 | 66.56 | 65.53 | 64.91 | 69.65 | 68.33 | 67.12 | 66.11 | 65.73 | 70.19 | 68.81 | 67.58 | 66.54 | 66.45 | |
| | 188 | TC | 843 | 772 | 705 | 645 | 607 | 876 | 803 | 735 | 676 | 654 | 900 | 827 | 757 | 700 | 692 |
| | | SHC | 311 | 393 | 473 | 551 | 607 | 326 | 426 | 524 | 618 | 654 | 340 | 458 | 575 | 680 | 692 |
| | | LDB | 62.48 | 57.18 | 52.06 | 47.07 | 43.37 | 65.29 | 60.21 | 55.20 | 50.39 | 48.46 | 67.34 | 62.39 | 57.50 | 53.08 | 52.42 |
| | | LWB | 62.48 | 56.99 | 51.61 | 46.28 | 40.54 | 65.28 | 59.84 | 54.49 | 49.14 | 43.13 | 67.24 | 61.86 | 56.55 | 51.18 | 45.06 |
| | KW | 66.42 | 65.33 | 64.36 | 63.49 | 62.94 | 66.94 | 65.84 | 64.85 | 63.99 | 63.63 | 67.40 | 66.25 | 65.20 | 64.35 | 64.25 | |
| | 225 | TC | 849 | 777 | 709 | 649 | 610 | 882 | 808 | 740 | 680 | 657 | 907 | 833 | 762 | 705 | 696 |
| | | SHC | 313 | 395 | 475 | 552 | 610 | 329 | 428 | 526 | 620 | 657 | 342 | 461 | 577 | 682 | 696 |
| LDB | | 62.35 | 57.07 | 51.95 | 46.97 | 43.23 | 65.19 | 60.12 | 55.12 | 50.30 | 48.31 | 67.25 | 62.31 | 57.42 | 52.98 | 52.27 | |
| LWB | | 62.35 | 56.88 | 51.50 | 46.19 | 40.46 | 65.18 | 59.75 | 54.40 | 49.06 | 43.05 | 67.15 | 61.77 | 56.47 | 51.10 | 44.99 | |
| KW | 64.76 | 63.78 | 62.93 | 62.19 | 61.71 | 65.19 | 64.21 | 63.33 | 62.60 | 62.30 | 65.59 | 64.60 | 63.68 | 62.93 | 62.84 | | |
| 263 | TC | 854 | 780 | 712 | 651 | 612 | 887 | 813 | 743 | 682 | 659 | 912 | 837 | 766 | 708 | 698 | |
| | SHC | 314 | 397 | 476 | 554 | 612 | 330 | 430 | 527 | 621 | 659 | 344 | 462 | 578 | 684 | 698 | |
| | LDB | 62.27 | 56.98 | 51.87 | 46.90 | 43.12 | 65.11 | 60.05 | 55.05 | 50.23 | 48.21 | 67.18 | 62.25 | 57.36 | 52.91 | 52.17 | |
| | LWB | 62.27 | 56.80 | 51.42 | 46.11 | 40.41 | 65.10 | 59.68 | 54.34 | 49.00 | 43.00 | 67.09 | 61.72 | 56.41 | 51.05 | 44.94 | |
| KW | 63.50 | 62.64 | 61.89 | 61.24 | 60.80 | 63.91 | 63.00 | 62.23 | 61.59 | 61.33 | 64.28 | 63.36 | 62.55 | 61.88 | 61.81 | | |

LEGEND

- | | |
|--|--|
| BF — Bypass Factor | LDB — Leaving Dry Bulb (F) |
| EDB — Entering Dry Bulb (F) | LWB — Leaving Wet Bulb (F) |
| EWB — Entering Wet Bulb (F) | SHC — Sensible Capacity (1000 Btu/hr) |
| EWT — Entering Water Temperature (F) | TC — Total Capacity (1000 Btu/hr) |
| kW — Compressor Motor Power Input (kilowatts) | |

Performance data (cont)



GROSS COOLING CAPACITIES (cont) 50XJA084 WITH (4) 13 HP COMPRESSORS

| EWT (F) | GPM | BF | AIR ENTERING EVAPORATOR — CFM AT 80 F EDB | | | | | | | | | | | | | | | |
|---------|-------|-------|---|-------|-------|-------|-------|--------|-------|-------|-------|-------|--------|-------|-------|-------|-------|-------|
| | | | 19,300 | | | | | 24,000 | | | | | 29,000 | | | | | |
| | | | Air Entering Evaporator — Ewb (F) | | | | | | | | | | | | | | | |
| | | | 77 | 72 | 67 | 62 | 57 | 77 | 72 | 67 | 62 | 57 | 77 | 72 | 67 | 62 | 57 | |
| 0.033 | 0.056 | 0.055 | 0.069 | 0.284 | 0.059 | 0.073 | 0.073 | 0.126 | 0.388 | 0.08 | 0.089 | 0.095 | 0.237 | 0.469 | | | | |
| 65 | 130 | TC | 897 | 822 | 754 | 694 | 674 | 923 | 847 | 777 | 723 | 717 | 942 | 866 | 796 | 754 | 753 | |
| | | SHC | 334 | 437 | 538 | 636 | 674 | 350 | 475 | 598 | 709 | 717 | 365 | 513 | 658 | 754 | 753 | |
| | | LDB | 65.19 | 60.01 | 54.94 | 50.01 | 47.99 | 67.53 | 62.50 | 57.54 | 53.09 | 52.60 | 69.21 | 64.32 | 59.52 | 56.28 | 56.18 | |
| | 163 | TC | 904 | 829 | 758 | 698 | 676 | 931 | 854 | 783 | 727 | 721 | 950 | 873 | 802 | 759 | 758 | |
| | | SHC | 336 | 440 | 540 | 638 | 676 | 352 | 477 | 601 | 711 | 721 | 368 | 516 | 661 | 759 | 758 | |
| | | LDB | 65.08 | 59.90 | 54.84 | 49.93 | 47.87 | 67.44 | 62.42 | 57.46 | 52.99 | 52.46 | 69.13 | 64.25 | 59.45 | 56.14 | 56.04 | |
| | 195 | TC | 909 | 832 | 761 | 700 | 678 | 936 | 858 | 786 | 730 | 723 | 956 | 877 | 805 | 761 | 761 | |
| | | SHC | 338 | 441 | 541 | 639 | 678 | 354 | 479 | 602 | 713 | 723 | 370 | 518 | 662 | 761 | 761 | |
| | | LDB | 65.01 | 59.84 | 54.78 | 49.87 | 47.79 | 67.38 | 62.36 | 57.41 | 52.94 | 52.38 | 69.08 | 64.20 | 59.40 | 56.06 | 55.95 | |
| | 75 | 130 | TC | 870 | 798 | 731 | 674 | 658 | 895 | 822 | 754 | 703 | 700 | 913 | 840 | 772 | 735 | 734 |
| | | | SHC | 325 | 428 | 529 | 626 | 658 | 340 | 466 | 589 | 696 | 700 | 356 | 504 | 648 | 735 | 734 |
| | | | LDB | 65.59 | 60.42 | 55.36 | 50.47 | 48.75 | 67.86 | 62.84 | 57.89 | 53.56 | 53.27 | 69.48 | 64.60 | 59.83 | 56.89 | 56.80 |
| 163 | | TC | 878 | 805 | 737 | 679 | 661 | 903 | 829 | 760 | 708 | 704 | 922 | 847 | 778 | 740 | 739 | |
| | | SHC | 327 | 430 | 531 | 628 | 661 | 343 | 468 | 591 | 699 | 704 | 359 | 507 | 651 | 740 | 739 | |
| | | LDB | 65.47 | 60.31 | 55.25 | 50.37 | 48.59 | 67.76 | 62.75 | 57.80 | 53.46 | 53.11 | 69.40 | 64.52 | 59.74 | 56.74 | 56.64 | |
| 195 | | TC | 883 | 809 | 740 | 681 | 663 | 909 | 834 | 764 | 711 | 706 | 928 | 852 | 782 | 743 | 742 | |
| | | SHC | 329 | 432 | 533 | 629 | 663 | 345 | 470 | 593 | 701 | 706 | 361 | 508 | 652 | 743 | 742 | |
| | | LDB | 65.40 | 60.24 | 55.19 | 50.31 | 48.49 | 67.69 | 62.68 | 57.75 | 53.39 | 53.02 | 69.34 | 64.47 | 59.70 | 56.65 | 56.55 | |
| 85 | | 130 | TC | 841 | 772 | 707 | 652 | 640 | 864 | 794 | 729 | 682 | 681 | 882 | 811 | 746 | 713 | 712 |
| | | | SHC | 315 | 418 | 518 | 615 | 640 | 330 | 455 | 578 | 682 | 681 | 346 | 494 | 637 | 713 | 712 |
| | | | LDB | 66.04 | 60.88 | 55.83 | 50.98 | 49.62 | 68.21 | 63.22 | 58.29 | 54.10 | 54.01 | 69.78 | 64.91 | 60.18 | 57.58 | 57.48 |
| | 163 | TC | 850 | 779 | 713 | 657 | 643 | 873 | 802 | 735 | 686 | 685 | 891 | 819 | 752 | 718 | 718 | |
| | | SHC | 318 | 421 | 521 | 617 | 643 | 333 | 458 | 581 | 686 | 685 | 349 | 497 | 640 | 718 | 718 | |
| | | LDB | 65.91 | 60.76 | 55.71 | 50.87 | 49.44 | 68.11 | 63.11 | 58.18 | 53.93 | 53.84 | 69.69 | 64.82 | 60.08 | 57.41 | 57.32 | |
| | 195 | TC | 855 | 783 | 716 | 660 | 646 | 879 | 806 | 739 | 689 | 688 | 897 | 824 | 757 | 722 | 721 | |
| | | SHC | 319 | 422 | 523 | 619 | 646 | 335 | 460 | 583 | 689 | 688 | 351 | 499 | 642 | 722 | 721 | |
| | | LDB | 65.83 | 60.68 | 55.64 | 50.80 | 49.33 | 68.04 | 63.04 | 58.13 | 53.82 | 53.73 | 69.63 | 64.77 | 60.02 | 57.31 | 57.21 | |
| | 95 | 130 | TC | 859 | 786 | 719 | 662 | 648 | 883 | 810 | 742 | 691 | 690 | 902 | 828 | 760 | 724 | 723 |
| | | | SHC | 321 | 423 | 524 | 620 | 648 | 337 | 461 | 584 | 691 | 690 | 352 | 500 | 643 | 724 | 723 |
| | | | LDB | 65.77 | 60.63 | 55.59 | 50.76 | 49.24 | 67.99 | 63.00 | 58.08 | 53.74 | 53.66 | 69.59 | 64.73 | 59.98 | 57.23 | 57.14 |
| 163 | | TC | 859 | 786 | 719 | 662 | 648 | 883 | 810 | 742 | 691 | 690 | 902 | 828 | 760 | 724 | 723 | |
| | | SHC | 321 | 423 | 524 | 620 | 648 | 337 | 461 | 584 | 691 | 690 | 352 | 500 | 643 | 724 | 723 | |
| | | LDB | 65.77 | 60.63 | 55.59 | 50.76 | 49.24 | 67.99 | 63.00 | 58.08 | 53.74 | 53.66 | 69.59 | 64.73 | 59.98 | 57.23 | 57.14 | |
| 195 | | TC | 859 | 786 | 719 | 662 | 648 | 883 | 810 | 742 | 691 | 690 | 902 | 828 | 760 | 724 | 723 | |
| | | SHC | 321 | 423 | 524 | 620 | 648 | 337 | 461 | 584 | 691 | 690 | 352 | 500 | 643 | 724 | 723 | |
| | | LDB | 65.77 | 60.63 | 55.59 | 50.76 | 49.24 | 67.99 | 63.00 | 58.08 | 53.74 | 53.66 | 69.59 | 64.73 | 59.98 | 57.23 | 57.14 | |

LEGEND

- BF — Bypass Factor
- EDB — Entering Dry Bulb (F)
- EWB — Entering Wet Bulb (F)
- EWT — Entering Water Temperature (F)
- kW — Compressor Motor Power Input (kilowatts)
- LDB — Leaving Dry Bulb (F)
- LWB — Leaving Wet Bulb (F)
- SHC — Sensible Capacity (1000 Btu/hr)
- TC — Total Capacity (1000 Btu/hr)



GROSS COOLING CAPACITIES (cont)
50XJA084 WITH (4) 13 HP COMPRESSORS (cont)

| EWT (F) | GPM | BF | AIR ENTERING EVAPORATOR — CFM AT 80 F EDB | | | | | | | | | | | | | | | |
|---------|-------|-------|---|-------|-------|-------|-------|--------|-------|-------|-------|-------|--------|-------|-------|-------|-------|-------|
| | | | 19,300 | | | | | 24,000 | | | | | 29,000 | | | | | |
| | | | Air Entering Evaporator — Ewb (F) | | | | | | | | | | | | | | | |
| | | | 77 | 72 | 67 | 62 | 57 | 77 | 72 | 67 | 62 | 57 | 77 | 72 | 67 | 62 | 57 | |
| 0.033 | 0.056 | 0.055 | 0.069 | 0.284 | 0.059 | 0.073 | 0.073 | 0.126 | 0.388 | 0.08 | 0.089 | 0.095 | 0.237 | 0.469 | | | | |
| 95 | 130 | TC | 810 | 743 | 680 | 629 | 620 | 831 | 764 | 701 | 659 | 658 | 847 | 779 | 716 | 690 | 689 | |
| | | SHC | 304 | 407 | 507 | 602 | 620 | 320 | 444 | 566 | 659 | 658 | 335 | 482 | 624 | 690 | 689 | |
| | | LDB | 66.51 | 61.37 | 56.34 | 51.56 | 50.57 | 68.60 | 63.61 | 58.72 | 54.96 | 54.85 | 70.09 | 65.25 | 60.55 | 58.31 | 58.22 | |
| | 163 | LWB | 66.47 | 61.07 | 55.74 | 50.35 | 44.17 | 68.48 | 63.14 | 57.83 | 52.35 | 46.23 | 69.91 | 64.61 | 59.34 | 53.74 | 47.79 | |
| | | KW | 49.70 | 48.70 | 47.85 | 47.17 | 47.06 | 50.08 | 49.07 | 48.19 | 47.61 | 47.60 | 50.39 | 49.33 | 48.41 | 48.05 | 48.04 | |
| | | TC | 818 | 750 | 686 | 634 | 624 | 841 | 772 | 708 | 664 | 663 | 857 | 788 | 723 | 695 | 695 | |
| | 195 | SHC | 307 | 410 | 510 | 605 | 624 | 323 | 448 | 569 | 664 | 663 | 338 | 486 | 628 | 695 | 695 | |
| | | LDB | 66.38 | 61.24 | 56.21 | 51.44 | 50.38 | 68.48 | 63.50 | 58.60 | 54.77 | 54.67 | 70.00 | 65.15 | 60.44 | 58.14 | 58.05 | |
| | | LWB | 66.34 | 60.95 | 55.63 | 50.24 | 44.08 | 68.37 | 63.03 | 57.74 | 52.27 | 46.14 | 69.82 | 64.52 | 59.26 | 53.67 | 47.71 | |
| | 105 | 130 | KW | 47.70 | 46.84 | 46.11 | 45.55 | 45.45 | 48.02 | 47.13 | 46.39 | 45.91 | 45.91 | 48.30 | 47.38 | 46.60 | 46.27 | 46.27 |
| | | | TC | 824 | 755 | 690 | 637 | 626 | 847 | 777 | 712 | 667 | 666 | 864 | 793 | 728 | 699 | 698 |
| | | | SHC | 309 | 412 | 512 | 607 | 626 | 325 | 449 | 571 | 667 | 666 | 340 | 488 | 630 | 699 | 698 |
| 163 | | LDB | 66.29 | 61.16 | 56.14 | 51.36 | 50.25 | 68.41 | 63.44 | 58.54 | 54.65 | 54.55 | 69.94 | 65.09 | 60.38 | 58.03 | 57.94 | |
| | | LWB | 66.26 | 60.88 | 55.55 | 50.18 | 44.02 | 68.31 | 62.97 | 57.68 | 52.22 | 46.08 | 69.76 | 64.47 | 59.21 | 53.62 | 47.66 | |
| | | KW | 46.41 | 45.64 | 44.99 | 44.51 | 44.42 | 46.70 | 45.91 | 45.24 | 44.82 | 44.81 | 46.94 | 46.13 | 45.43 | 45.12 | 45.11 | |
| 228 | | TC | 828 | 758 | 693 | 639 | 628 | 851 | 781 | 715 | 669 | 669 | 869 | 797 | 731 | 701 | 700 | |
| | | SHC | 310 | 413 | 513 | 608 | 628 | 326 | 451 | 573 | 669 | 669 | 342 | 489 | 631 | 701 | 700 | |
| | | LDB | 66.23 | 61.11 | 56.09 | 51.30 | 50.16 | 68.36 | 63.39 | 58.49 | 54.56 | 54.46 | 69.90 | 65.05 | 60.34 | 57.95 | 57.86 | |
| 105 | | 130 | LWB | 66.20 | 60.82 | 55.50 | 50.13 | 43.97 | 68.26 | 62.92 | 57.64 | 52.18 | 46.04 | 69.72 | 64.42 | 59.17 | 53.59 | 47.62 |
| | | | KW | 45.45 | 44.74 | 44.17 | 43.75 | 43.67 | 45.73 | 44.99 | 44.39 | 44.02 | 44.02 | 45.96 | 45.20 | 44.57 | 44.28 | 44.28 |
| | | | TC | 776 | 712 | 652 | 604 | 599 | 796 | 732 | 672 | 635 | 635 | 810 | 745 | 685 | 665 | 664 |
| | 163 | SHC | 293 | 395 | 496 | 589 | 599 | 308 | 433 | 554 | 635 | 635 | 323 | 470 | 611 | 665 | 664 | |
| | | LDB | 67.01 | 61.90 | 56.88 | 52.20 | 51.57 | 68.99 | 64.03 | 59.17 | 55.87 | 55.76 | 70.44 | 65.61 | 60.95 | 59.10 | 59.01 | |
| | | LWB | 66.96 | 61.58 | 56.25 | 50.85 | 44.66 | 68.87 | 63.54 | 58.25 | 52.73 | 46.66 | 70.24 | 64.96 | 59.70 | 54.06 | 48.15 | |
| | 195 | KW | 55.37 | 54.30 | 53.37 | 52.65 | 52.57 | 55.78 | 54.71 | 53.74 | 53.14 | 53.13 | 56.04 | 54.93 | 53.94 | 53.68 | 53.67 | |
| | | TC | 785 | 719 | 658 | 609 | 603 | 806 | 740 | 678 | 640 | 640 | 820 | 753 | 692 | 670 | 670 | |
| | | SHC | 296 | 399 | 499 | 592 | 603 | 311 | 436 | 557 | 640 | 640 | 326 | 474 | 614 | 670 | 670 | |
| | 228 | LDB | 66.88 | 61.75 | 56.75 | 52.07 | 51.38 | 68.89 | 63.92 | 59.05 | 55.67 | 55.57 | 70.34 | 65.51 | 60.85 | 58.92 | 58.83 | |
| | | LWB | 66.83 | 61.46 | 56.14 | 50.75 | 44.57 | 68.77 | 63.44 | 58.16 | 52.65 | 46.57 | 70.15 | 64.87 | 59.61 | 53.99 | 48.07 | |
| | | KW | 53.20 | 52.29 | 51.50 | 50.91 | 50.82 | 53.55 | 52.62 | 51.83 | 51.30 | 51.29 | 53.80 | 52.82 | 52.01 | 51.75 | 51.74 | |
| 105 | 195 | TC | 791 | 724 | 662 | 613 | 605 | 812 | 745 | 683 | 643 | 643 | 827 | 759 | 697 | 674 | 673 | |
| | | SHC | 298 | 400 | 500 | 593 | 605 | 313 | 438 | 559 | 643 | 643 | 329 | 475 | 616 | 674 | 673 | |
| | | LDB | 66.79 | 61.67 | 56.67 | 51.98 | 51.25 | 68.81 | 63.85 | 58.98 | 55.55 | 55.45 | 70.28 | 65.45 | 60.79 | 58.81 | 58.71 | |
| 105 | 228 | LWB | 66.75 | 61.38 | 56.07 | 50.68 | 44.50 | 68.69 | 63.37 | 58.09 | 52.60 | 46.51 | 70.09 | 64.81 | 59.56 | 53.94 | 48.02 | |
| | | KW | 51.81 | 50.99 | 50.30 | 49.80 | 49.71 | 52.12 | 51.29 | 50.59 | 50.12 | 50.12 | 52.35 | 51.48 | 50.74 | 50.50 | 50.49 | |
| | | TC | 795 | 728 | 665 | 615 | 607 | 817 | 749 | 686 | 646 | 645 | 832 | 763 | 701 | 677 | 676 | |
| 105 | 228 | SHC | 299 | 402 | 501 | 595 | 607 | 315 | 439 | 561 | 646 | 645 | 330 | 477 | 618 | 677 | 676 | |
| | | LDB | 66.73 | 61.61 | 56.62 | 51.92 | 51.15 | 68.76 | 63.81 | 58.93 | 55.46 | 55.35 | 70.23 | 65.41 | 60.74 | 58.72 | 58.63 | |
| | | LWB | 66.68 | 61.32 | 56.01 | 50.63 | 44.46 | 68.64 | 63.32 | 58.05 | 52.56 | 46.46 | 70.04 | 64.77 | 59.52 | 53.91 | 47.98 | |
| 105 | 228 | KW | 50.77 | 50.03 | 49.42 | 48.97 | 48.90 | 51.06 | 50.30 | 49.67 | 49.26 | 49.26 | 51.28 | 50.47 | 49.81 | 49.59 | 49.58 | |

LEGEND

- | | |
|--|--|
| BF — Bypass Factor | LDB — Leaving Dry Bulb (F) |
| EDB — Entering Dry Bulb (F) | LWB — Leaving Wet Bulb (F) |
| EWB — Entering Wet Bulb (F) | SHC — Sensible Capacity (1000 Btu/hr) |
| EWT — Entering Water Temperature (F) | TC — Total Capacity (1000 Btu/hr) |
| kW — Compressor Motor Power Input (kilowatts) | |

Performance data (cont)



GROSS COOLING CAPACITIES (cont)

50XJB084 WITH (2) 13 HP COMPRESSORS AND (2) 15 HP COMPRESSORS

| EWT (F) | GPM | BF | AIR ENTERING EVAPORATOR — CFM AT 80 F EDB | | | | | | | | | | | | | | |
|---------|-------|-------|---|-------|-------|-------|-------|--------|-------|-------|-------|-------|--------|-------|-------|-------|-------|
| | | | 19,300 | | | | | 24,000 | | | | | 29,000 | | | | |
| | | | Air Entering Evaporator — Ewb (F) | | | | | | | | | | | | | | |
| | | | 77 | 72 | 67 | 62 | 57 | 77 | 72 | 67 | 62 | 57 | 77 | 72 | 67 | 62 | 57 |
| 0.02 | 0.055 | 0.054 | 0.062 | 0.239 | 0.052 | 0.072 | 0.071 | 0.101 | 0.347 | 0.075 | 0.088 | 0.09 | 0.185 | 0.432 | | | |
| 65 | 140 | TC | 967 | 887 | 812 | 747 | 716 | 1000 | 918 | 842 | 778 | 765 | 1022 | 939 | 862 | 807 | 805 |
| | | SHC | 358 | 462 | 563 | 662 | 716 | 375 | 501 | 625 | 740 | 765 | 391 | 540 | 686 | 807 | 805 |
| | | LDB | 64.11 | 58.88 | 53.78 | 48.78 | 46.00 | 66.61 | 61.56 | 56.57 | 51.89 | 50.77 | 68.45 | 63.53 | 58.68 | 54.62 | 54.55 |
| | 175 | LWB | 64.11 | 58.64 | 53.24 | 47.86 | 41.89 | 66.54 | 61.14 | 55.80 | 50.40 | 44.27 | 68.31 | 62.96 | 57.65 | 52.20 | 46.08 |
| | | KW | 41.91 | 40.65 | 39.65 | 38.85 | 38.53 | 42.57 | 41.13 | 40.07 | 39.27 | 39.11 | 42.94 | 41.47 | 40.37 | 39.69 | 39.62 |
| | | TC | 975 | 893 | 818 | 751 | 719 | 1008 | 925 | 848 | 783 | 769 | 1031 | 947 | 869 | 812 | 810 |
| | 210 | SHC | 361 | 465 | 566 | 664 | 719 | 378 | 504 | 627 | 743 | 769 | 394 | 543 | 689 | 812 | 810 |
| | | LDB | 63.98 | 58.77 | 53.67 | 48.69 | 45.86 | 66.51 | 61.46 | 56.48 | 51.80 | 50.61 | 68.36 | 63.45 | 58.59 | 54.47 | 54.40 |
| | | LWB | 63.98 | 58.52 | 53.14 | 47.77 | 41.82 | 66.44 | 61.04 | 55.70 | 50.32 | 44.19 | 68.22 | 62.87 | 57.57 | 52.13 | 46.01 |
| | 245 | KW | 40.47 | 39.31 | 38.37 | 37.62 | 37.28 | 40.91 | 39.78 | 38.77 | 38.00 | 37.86 | 41.38 | 40.14 | 39.06 | 38.35 | 38.33 |
| | | TC | 980 | 897 | 821 | 754 | 721 | 1014 | 930 | 852 | 787 | 772 | 1038 | 953 | 873 | 815 | 813 |
| | | SHC | 363 | 466 | 567 | 666 | 721 | 380 | 506 | 629 | 745 | 772 | 396 | 545 | 690 | 815 | 813 |
| 75 | LDB | 63.90 | 58.69 | 53.61 | 48.62 | 45.77 | 66.44 | 61.39 | 56.41 | 51.73 | 50.51 | 68.30 | 63.39 | 58.54 | 54.38 | 54.31 | |
| | LWB | 63.90 | 58.45 | 53.07 | 47.72 | 41.77 | 66.37 | 60.98 | 55.65 | 50.27 | 44.14 | 68.16 | 62.81 | 57.52 | 52.09 | 45.96 | |
| | KW | 39.51 | 38.41 | 37.53 | 36.80 | 36.47 | 40.04 | 38.85 | 37.91 | 37.18 | 37.03 | 40.41 | 39.19 | 38.17 | 37.52 | 37.49 | |
| 140 | TC | 984 | 900 | 823 | 755 | 722 | 1019 | 934 | 854 | 789 | 774 | 1042 | 956 | 876 | 817 | 815 | |
| | SHC | 364 | 467 | 568 | 667 | 722 | 382 | 507 | 630 | 746 | 774 | 398 | 546 | 692 | 817 | 815 | |
| | LDB | 63.85 | 58.64 | 53.56 | 48.58 | 45.70 | 66.39 | 61.35 | 56.37 | 51.68 | 50.44 | 68.25 | 63.34 | 58.50 | 54.32 | 54.25 | |
| 175 | LWB | 63.85 | 58.40 | 53.03 | 47.68 | 41.74 | 66.32 | 60.93 | 55.61 | 50.23 | 44.11 | 68.12 | 62.77 | 57.48 | 52.07 | 45.94 | |
| | KW | 38.87 | 37.81 | 36.92 | 36.23 | 35.91 | 39.37 | 38.26 | 37.31 | 36.58 | 36.45 | 39.71 | 38.56 | 37.57 | 36.91 | 36.88 | |
| | TC | 940 | 862 | 789 | 726 | 699 | 969 | 890 | 816 | 756 | 746 | 990 | 910 | 836 | 786 | 785 | |
| 210 | SHC | 349 | 452 | 553 | 652 | 699 | 365 | 491 | 614 | 729 | 746 | 381 | 529 | 675 | 786 | 785 | |
| | LDB | 64.53 | 59.33 | 54.23 | 49.25 | 46.81 | 66.98 | 61.93 | 56.95 | 52.34 | 51.49 | 68.75 | 63.84 | 59.01 | 55.28 | 55.18 | |
| | LWB | 64.53 | 59.07 | 53.68 | 48.30 | 42.31 | 66.91 | 61.51 | 56.17 | 50.77 | 44.62 | 68.60 | 63.26 | 57.95 | 52.47 | 46.38 | |
| 245 | KW | 45.82 | 44.63 | 43.74 | 43.03 | 42.68 | 46.31 | 45.09 | 44.08 | 43.35 | 43.25 | 46.66 | 45.42 | 44.36 | 43.77 | 43.76 | |
| | TC | 948 | 869 | 795 | 731 | 702 | 979 | 898 | 823 | 761 | 751 | 1000 | 919 | 843 | 791 | 790 | |
| | SHC | 351 | 455 | 556 | 654 | 702 | 368 | 494 | 617 | 731 | 751 | 384 | 533 | 678 | 791 | 790 | |
| 75 | LDB | 64.40 | 59.21 | 54.12 | 49.15 | 46.65 | 66.86 | 61.83 | 56.85 | 52.23 | 51.32 | 68.66 | 63.75 | 58.91 | 55.11 | 55.02 | |
| | LWB | 64.40 | 58.95 | 53.57 | 48.20 | 42.22 | 66.79 | 61.40 | 56.07 | 50.68 | 44.54 | 68.51 | 63.17 | 57.87 | 52.40 | 46.30 | |
| | KW | 44.09 | 43.03 | 42.16 | 41.48 | 41.19 | 44.53 | 43.44 | 42.49 | 41.79 | 41.68 | 44.85 | 43.74 | 42.76 | 42.17 | 42.15 | |
| 140 | TC | 954 | 873 | 799 | 734 | 705 | 985 | 903 | 827 | 765 | 754 | 1007 | 925 | 848 | 795 | 794 | |
| | SHC | 353 | 457 | 557 | 656 | 705 | 370 | 496 | 619 | 733 | 754 | 386 | 535 | 680 | 795 | 794 | |
| | LDB | 64.31 | 59.12 | 54.05 | 49.08 | 46.54 | 66.79 | 61.75 | 56.78 | 52.16 | 51.21 | 68.59 | 63.69 | 58.85 | 55.01 | 54.92 | |
| 175 | LWB | 64.31 | 58.87 | 53.50 | 48.14 | 42.16 | 66.72 | 61.33 | 56.01 | 50.63 | 44.48 | 68.44 | 63.11 | 57.82 | 52.36 | 46.25 | |
| | KW | 42.94 | 41.97 | 41.16 | 40.51 | 40.21 | 43.39 | 42.35 | 41.49 | 40.82 | 40.71 | 43.70 | 42.63 | 41.73 | 41.17 | 41.16 | |
| | TC | 958 | 876 | 802 | 736 | 706 | 990 | 907 | 830 | 767 | 756 | 1012 | 929 | 851 | 797 | 796 | |
| 210 | SHC | 355 | 458 | 559 | 657 | 706 | 372 | 497 | 620 | 735 | 756 | 388 | 536 | 682 | 797 | 796 | |
| | LDB | 64.25 | 59.07 | 53.99 | 49.03 | 46.46 | 66.73 | 61.71 | 56.74 | 52.12 | 51.13 | 68.54 | 63.64 | 58.81 | 54.93 | 54.84 | |
| | LWB | 64.25 | 58.81 | 53.45 | 48.09 | 42.13 | 66.66 | 61.28 | 55.96 | 50.58 | 44.45 | 68.40 | 63.07 | 57.78 | 52.33 | 46.22 | |
| 245 | KW | 42.16 | 41.23 | 40.44 | 39.84 | 39.56 | 42.59 | 41.61 | 40.76 | 40.13 | 40.03 | 42.89 | 41.88 | 41.00 | 40.45 | 40.44 | |
| | TC | 909 | 834 | 763 | 703 | 680 | 936 | 859 | 788 | 732 | 725 | 956 | 879 | 808 | 763 | 762 | |
| | SHC | 338 | 441 | 542 | 640 | 680 | 354 | 480 | 603 | 715 | 725 | 370 | 518 | 663 | 763 | 762 | |
| 85 | LDB | 65.00 | 59.82 | 54.75 | 49.80 | 47.69 | 67.37 | 62.34 | 57.38 | 52.86 | 52.30 | 69.08 | 64.18 | 59.38 | 56.00 | 55.90 | |
| | LWB | 64.99 | 59.55 | 54.18 | 48.81 | 42.75 | 67.29 | 61.91 | 56.58 | 51.17 | 45.01 | 68.92 | 63.59 | 58.29 | 52.78 | 46.71 | |
| | KW | 50.80 | 49.69 | 48.75 | 47.97 | 47.70 | 51.21 | 50.05 | 49.09 | 48.34 | 48.26 | 51.57 | 50.37 | 49.38 | 48.81 | 48.80 | |
| 140 | TC | 918 | 841 | 770 | 708 | 684 | 946 | 868 | 795 | 737 | 730 | 966 | 888 | 815 | 769 | 768 | |
| | SHC | 341 | 444 | 545 | 643 | 684 | 357 | 483 | 606 | 718 | 730 | 373 | 521 | 666 | 769 | 768 | |
| | LDB | 64.87 | 59.68 | 54.61 | 49.68 | 47.51 | 67.25 | 62.23 | 57.26 | 52.74 | 52.12 | 68.98 | 64.08 | 59.27 | 55.82 | 55.72 | |
| 175 | LWB | 64.86 | 59.42 | 54.05 | 48.70 | 42.66 | 67.17 | 61.80 | 56.47 | 51.08 | 44.92 | 68.82 | 63.49 | 58.20 | 52.70 | 46.63 | |
| | KW | 48.69 | 47.73 | 46.92 | 46.28 | 46.03 | 49.06 | 48.04 | 47.20 | 46.58 | 46.50 | 49.35 | 48.32 | 47.44 | 46.96 | 46.95 | |
| | TC | 924 | 846 | 774 | 711 | 687 | 953 | 874 | 800 | 741 | 733 | 973 | 894 | 820 | 773 | 772 | |
| 210 | SHC | 343 | 446 | 547 | 645 | 687 | 359 | 485 | 608 | 720 | 733 | 375 | 524 | 668 | 773 | 772 | |
| | LDB | 64.77 | 59.60 | 54.53 | 49.60 | 47.39 | 67.17 | 62.16 | 57.20 | 52.66 | 52.00 | 68.91 | 64.02 | 59.21 | 55.71 | 55.60 | |
| | LWB | 64.77 | 59.34 | 53.97 | 48.63 | 42.59 | 67.10 | 61.72 | 56.41 | 51.02 | 44.87 | 68.76 | 63.43 | 58.15 | 52.65 | 46.58 | |
| 245 | KW | 47.27 | 46.43 | 45.72 | 45.15 | 44.92 | 47.61 | 46.71 | 45.96 | 45.40 | 45.33 | 47.92 | 46.95 | 46.19 | 45.75 | 45.74 | |
| | TC | 928 | 850 | 777 | 714 | 688 | 957 | 878 | 803 | 744 | 735 | 979 | 898 | 823 | 775 | 775 | |
| | SHC | 345 | 448 | 548 | 646 | 688 | 361 | 486 | 609 | 721 | 735 | 377 | 525 | 670 | 775 | 775 | |
| 85 | LDB | 64.70 | 59.54 | 54.47 | 49.54 | 47.30 | 67.12 | 62.10 | 57.15 | 52.60 | 51.91 | 68.86 | 63.98 | 59.17 | 55.62 | 55.52 | |
| | LWB | 64.70 | 59.27 | 53.92 | 48.57 | 42.55 | 67.04 | 61.67 | 56.36 | 50.97 | 44.82 | 68.71 | 63.39 | 58.11 | 52.62 | 46.54 | |
| | KW | 46.35 | 45.49 | 44.85 | 44.35 | 44.14 | 46.70 | 45.76 | 45.06 | 44.57 | 44.50 | 46.98 | 46.03 | 45.26 | 44.87 | 44.87 | |

LEGEND

- BF — Bypass Factor
- EDB — Entering Dry Bulb (F)
- EWB — Entering Wet Bulb (F)
- EWT — Entering Water Temperature (F)
- KW — Compressor Motor Power Input (kilowatts)
- LDB — Leaving Dry Bulb (F)
- LWB — Leaving Wet Bulb (F)
- SHC — Sensible Capacity (1000 Btu/hr)
- TC — Total Capacity (1000 Btu/hr)



GROSS COOLING CAPACITIES (cont)

50XJB084 WITH (2) 13 HP COMPRESSORS AND (2) 15 HP COMPRESSORS (cont)

| EWT (F) | GPM | BF | AIR ENTERING EVAPORATOR — CFM AT 80 F EDB | | | | | | | | | | | | | | |
|---------|-------|-------|---|-------|-------|-------|-------|--------|-------|-------|-------|-------|--------|-------|-------|-------|-------|
| | | | 19,300 | | | | | 24,000 | | | | | 29,000 | | | | |
| | | | Air Entering Evaporator — Ewb (F) | | | | | | | | | | | | | | |
| | | | 77 | 72 | 67 | 62 | 57 | 77 | 72 | 67 | 62 | 57 | 77 | 72 | 67 | 62 | 57 |
| 0.02 | 0.055 | 0.054 | 0.062 | 0.239 | 0.052 | 0.072 | 0.071 | 0.101 | 0.347 | 0.075 | 0.088 | 0.09 | 0.185 | 0.432 | | | |
| 95 | 140 | TC | 875 | 802 | 735 | 677 | 660 | 900 | 826 | 758 | 706 | 702 | 918 | 845 | 777 | 738 | 737 |
| | | SHC | 326 | 429 | 530 | 627 | 660 | 342 | 467 | 590 | 699 | 702 | 358 | 506 | 649 | 738 | 737 |
| | | LDB | 65.53 | 60.36 | 55.31 | 50.40 | 48.67 | 67.80 | 62.78 | 57.85 | 53.46 | 53.17 | 69.43 | 64.55 | 59.79 | 56.80 | 56.70 |
| | | LWB | 65.51 | 60.08 | 54.72 | 49.35 | 43.23 | 67.71 | 62.34 | 57.02 | 51.59 | 45.43 | 69.26 | 63.94 | 58.65 | 53.11 | 47.09 |
| | 175 | TC | 884 | 810 | 741 | 682 | 664 | 910 | 835 | 765 | 712 | 707 | 930 | 854 | 784 | 744 | 743 |
| | | SHC | 330 | 433 | 533 | 630 | 664 | 345 | 471 | 594 | 702 | 707 | 361 | 509 | 653 | 744 | 743 |
| | | LDB | 65.38 | 60.21 | 55.16 | 50.27 | 48.46 | 67.67 | 62.66 | 57.72 | 53.33 | 52.98 | 69.33 | 64.45 | 59.67 | 56.62 | 56.52 |
| | | LWB | 65.36 | 59.94 | 54.59 | 49.24 | 43.13 | 67.59 | 62.22 | 56.91 | 51.49 | 45.34 | 69.16 | 63.84 | 58.56 | 53.04 | 47.00 |
| | 210 | TC | 891 | 816 | 746 | 686 | 667 | 917 | 841 | 770 | 716 | 711 | 937 | 860 | 789 | 748 | 747 |
| | | SHC | 332 | 435 | 535 | 632 | 667 | 348 | 473 | 596 | 704 | 711 | 364 | 511 | 656 | 748 | 747 |
| | | LDB | 65.28 | 60.12 | 55.08 | 50.18 | 48.32 | 67.59 | 62.58 | 57.64 | 53.24 | 52.85 | 69.26 | 64.38 | 59.60 | 56.49 | 56.39 |
| | | LWB | 65.27 | 59.85 | 54.51 | 49.16 | 43.06 | 67.50 | 62.14 | 56.84 | 51.43 | 45.28 | 69.09 | 63.78 | 58.50 | 52.98 | 46.94 |
| 245 | TC | 895 | 820 | 749 | 688 | 669 | 922 | 845 | 774 | 718 | 713 | 942 | 865 | 793 | 750 | 750 | |
| | SHC | 333 | 436 | 536 | 633 | 669 | 349 | 474 | 597 | 706 | 713 | 365 | 513 | 657 | 750 | 750 | |
| | LDB | 65.21 | 60.06 | 55.02 | 50.12 | 48.23 | 67.53 | 62.53 | 57.59 | 53.18 | 52.76 | 69.21 | 64.33 | 59.55 | 56.40 | 56.30 | |
| | LWB | 65.20 | 59.79 | 54.45 | 49.11 | 43.02 | 67.45 | 62.09 | 56.79 | 51.39 | 45.23 | 69.04 | 63.73 | 58.46 | 52.95 | 46.90 | |
| 105 | 140 | TC | 838 | 769 | 704 | 649 | 637 | 861 | 791 | 726 | 679 | 678 | 879 | 808 | 743 | 711 | 710 |
| | | SHC | 314 | 417 | 517 | 613 | 637 | 329 | 455 | 577 | 679 | 678 | 345 | 493 | 636 | 711 | 710 |
| | | LDB | 66.08 | 60.93 | 55.90 | 51.05 | 49.76 | 68.24 | 63.25 | 58.34 | 54.21 | 54.11 | 69.80 | 64.94 | 60.19 | 57.66 | 57.56 |
| | | LWB | 66.05 | 60.64 | 55.30 | 49.93 | 43.77 | 68.14 | 62.78 | 57.48 | 52.03 | 45.88 | 69.62 | 64.31 | 59.04 | 53.47 | 47.49 |
| | 175 | TC | 848 | 777 | 711 | 655 | 641 | 872 | 801 | 734 | 685 | 683 | 890 | 818 | 751 | 717 | 716 |
| | | SHC | 317 | 420 | 520 | 616 | 641 | 333 | 458 | 580 | 685 | 683 | 349 | 496 | 640 | 717 | 716 |
| | | LDB | 65.93 | 60.78 | 55.75 | 50.91 | 49.54 | 68.12 | 63.12 | 58.20 | 53.99 | 53.90 | 69.70 | 64.83 | 60.09 | 57.46 | 57.37 |
| | | LWB | 65.90 | 60.50 | 55.17 | 49.81 | 43.67 | 68.02 | 62.67 | 57.37 | 51.93 | 45.78 | 69.52 | 64.21 | 58.94 | 53.39 | 47.40 |
| | 210 | TC | 855 | 783 | 716 | 659 | 644 | 879 | 807 | 739 | 688 | 687 | 898 | 824 | 757 | 721 | 720 |
| | | SHC | 319 | 422 | 522 | 618 | 644 | 335 | 460 | 583 | 688 | 687 | 351 | 499 | 642 | 721 | 720 |
| | | LDB | 65.83 | 60.69 | 55.66 | 50.82 | 49.39 | 68.03 | 63.05 | 58.13 | 53.85 | 53.77 | 69.62 | 64.77 | 60.02 | 57.33 | 57.24 |
| | | LWB | 65.80 | 60.41 | 55.08 | 49.73 | 43.59 | 67.94 | 62.59 | 57.30 | 51.87 | 45.71 | 69.45 | 64.15 | 58.88 | 53.33 | 47.34 |
| 245 | TC | 860 | 787 | 719 | 661 | 647 | 884 | 811 | 742 | 691 | 689 | 903 | 829 | 760 | 724 | 723 | |
| | SHC | 321 | 424 | 524 | 620 | 647 | 337 | 462 | 584 | 691 | 689 | 353 | 500 | 643 | 724 | 723 | |
| | LDB | 65.75 | 60.62 | 55.59 | 50.75 | 49.29 | 67.98 | 62.99 | 58.07 | 53.75 | 53.67 | 69.57 | 64.72 | 59.97 | 57.24 | 57.15 | |
| | LWB | 65.73 | 60.34 | 55.02 | 49.68 | 43.54 | 67.88 | 62.53 | 57.25 | 51.83 | 45.67 | 69.40 | 64.10 | 58.84 | 53.30 | 47.30 | |
| 245 | TC | 860 | 787 | 719 | 661 | 647 | 884 | 811 | 742 | 691 | 689 | 903 | 829 | 760 | 724 | 723 | |
| | SHC | 321 | 424 | 524 | 620 | 647 | 337 | 462 | 584 | 691 | 689 | 353 | 500 | 643 | 724 | 723 | |
| | LDB | 65.75 | 60.62 | 55.59 | 50.75 | 49.29 | 67.98 | 62.99 | 58.07 | 53.75 | 53.67 | 69.57 | 64.72 | 59.97 | 57.24 | 57.15 | |
| | LWB | 65.73 | 60.34 | 55.02 | 49.68 | 43.54 | 67.88 | 62.53 | 57.25 | 51.83 | 45.67 | 69.40 | 64.10 | 58.84 | 53.30 | 47.30 | |
| 245 | TC | 860 | 787 | 719 | 661 | 647 | 884 | 811 | 742 | 691 | 689 | 903 | 829 | 760 | 724 | 723 | |
| | SHC | 321 | 424 | 524 | 620 | 647 | 337 | 462 | 584 | 691 | 689 | 353 | 500 | 643 | 724 | 723 | |
| | LDB | 65.75 | 60.62 | 55.59 | 50.75 | 49.29 | 67.98 | 62.99 | 58.07 | 53.75 | 53.67 | 69.57 | 64.72 | 59.97 | 57.24 | 57.15 | |
| | LWB | 65.73 | 60.34 | 55.02 | 49.68 | 43.54 | 67.88 | 62.53 | 57.25 | 51.83 | 45.67 | 69.40 | 64.10 | 58.84 | 53.30 | 47.30 | |
| 245 | TC | 860 | 787 | 719 | 661 | 647 | 884 | 811 | 742 | 691 | 689 | 903 | 829 | 760 | 724 | 723 | |
| | SHC | 321 | 424 | 524 | 620 | 647 | 337 | 462 | 584 | 691 | 689 | 353 | 500 | 643 | 724 | 723 | |
| | LDB | 65.75 | 60.62 | 55.59 | 50.75 | 49.29 | 67.98 | 62.99 | 58.07 | 53.75 | 53.67 | 69.57 | 64.72 | 59.97 | 57.24 | 57.15 | |
| | LWB | 65.73 | 60.34 | 55.02 | 49.68 | 43.54 | 67.88 | 62.53 | 57.25 | 51.83 | 45.67 | 69.40 | 64.10 | 58.84 | 53.30 | 47.30 | |
| 245 | TC | 860 | 787 | 719 | 661 | 647 | 884 | 811 | 742 | 691 | 689 | 903 | 829 | 760 | 724 | 723 | |
| | SHC | 321 | 424 | 524 | 620 | 647 | 337 | 462 | 584 | 691 | 689 | 353 | 500 | 643 | 724 | 723 | |
| | LDB | 65.75 | 60.62 | 55.59 | 50.75 | 49.29 | 67.98 | 62.99 | 58.07 | 53.75 | 53.67 | 69.57 | 64.72 | 59.97 | 57.24 | 57.15 | |
| | LWB | 65.73 | 60.34 | 55.02 | 49.68 | 43.54 | 67.88 | 62.53 | 57.25 | 51.83 | 45.67 | 69.40 | 64.10 | 58.84 | 53.30 | 47.30 | |

LEGEND

- BF** — Bypass Factor
- EDB** — Entering Dry Bulb (F)
- EWB** — Entering Wet Bulb (F)
- EWT** — Entering Water Temperature (F)
- kW** — Compressor Motor Power Input (kilowatts)
- LDB** — Leaving Dry Bulb (F)
- LWB** — Leaving Wet Bulb (F)
- SHC** — Sensible Capacity (1000 Btu/hr)
- TC** — Total Capacity (1000 Btu/hr)

Performance data (cont)



GROSS COOLING CAPACITIES (cont) 50XJC084 WITH (4) 15 HP COMPRESSORS

| EWT (F) | GPM | BF | AIR ENTERING EVAPORATOR — CFM AT 80 F EDB | | | | | | | | | | | | | | |
|---------|-------|-------|---|-------|-------|-------|-------|--------|-------|-------|-------|-------|--------|-------|-------|-------|-------|
| | | | 19,300 | | | | | 24,000 | | | | | 29,000 | | | | |
| | | | Air Entering Evaporator — Ewb (F) | | | | | | | | | | | | | | |
| | | | 77 | 72 | 67 | 62 | 57 | 77 | 72 | 67 | 62 | 57 | 77 | 72 | 67 | 62 | 57 |
| 0.001 | 0.054 | 0.054 | 0.058 | 0.197 | 0.044 | 0.071 | 0.07 | 0.088 | 0.309 | 0.07 | 0.087 | 0.087 | 0.142 | 0.389 | | | |
| 65 | 150 | TC | 1034 | 947 | 867 | 796 | 755 | 1070 | 983 | 902 | 832 | 809 | 1097 | 1009 | 926 | 861 | 853 |
| | | SHC | 381 | 486 | 587 | 687 | 755 | 399 | 526 | 650 | 769 | 809 | 416 | 565 | 713 | 842 | 853 |
| | | LDB | 63.07 | 57.79 | 52.67 | 47.63 | 44.15 | 65.75 | 60.67 | 55.65 | 50.83 | 49.11 | 67.72 | 62.77 | 57.87 | 53.53 | 53.02 |
| | | LWB | 63.07 | 57.58 | 52.16 | 46.80 | 40.94 | 65.71 | 60.27 | 54.89 | 49.51 | 43.45 | 67.60 | 62.21 | 56.89 | 51.48 | 45.35 |
| | KW | 46.75 | 45.38 | 44.27 | 43.40 | 42.87 | 47.29 | 45.96 | 44.88 | 43.88 | 43.56 | 47.80 | 46.38 | 45.15 | 44.25 | 44.15 | |
| | 188 | TC | 1042 | 954 | 873 | 801 | 758 | 1080 | 991 | 908 | 837 | 813 | 1109 | 1018 | 934 | 867 | 859 |
| | | SHC | 384 | 489 | 590 | 689 | 758 | 403 | 529 | 653 | 772 | 813 | 420 | 569 | 716 | 846 | 859 |
| | | LDB | 62.93 | 57.66 | 52.55 | 47.52 | 43.99 | 65.63 | 60.55 | 55.54 | 50.73 | 48.94 | 67.61 | 62.66 | 57.78 | 53.42 | 52.86 |
| | | LWB | 62.93 | 57.45 | 52.04 | 46.69 | 40.86 | 65.59 | 60.16 | 54.80 | 49.42 | 43.37 | 67.49 | 62.12 | 56.80 | 51.40 | 45.27 |
| | KW | 44.98 | 43.81 | 42.77 | 41.92 | 41.48 | 45.65 | 44.31 | 43.25 | 42.40 | 42.09 | 46.13 | 44.72 | 43.61 | 42.75 | 42.65 | |
| | 225 | TC | 1048 | 959 | 877 | 803 | 760 | 1086 | 996 | 913 | 841 | 816 | 1116 | 1024 | 938 | 870 | 862 |
| | | SHC | 386 | 491 | 592 | 691 | 760 | 405 | 531 | 655 | 773 | 816 | 422 | 571 | 717 | 848 | 862 |
| LDB | | 62.84 | 57.58 | 52.45 | 47.46 | 43.90 | 65.55 | 60.48 | 55.47 | 50.67 | 48.85 | 67.54 | 62.60 | 57.72 | 53.35 | 52.76 | |
| LWB | | 62.84 | 57.36 | 51.97 | 46.63 | 40.81 | 65.52 | 60.09 | 54.73 | 49.36 | 43.32 | 67.42 | 62.05 | 56.74 | 51.35 | 45.23 | |
| KW | 43.96 | 42.76 | 41.80 | 41.01 | 40.58 | 44.55 | 43.26 | 42.24 | 41.46 | 41.16 | 45.00 | 43.70 | 42.58 | 41.78 | 41.69 | | |
| 263 | TC | 1052 | 962 | 879 | 806 | 761 | 1091 | 1000 | 915 | 843 | 818 | 1121 | 1028 | 942 | 873 | 864 | |
| | SHC | 388 | 492 | 593 | 692 | 761 | 406 | 532 | 656 | 774 | 818 | 424 | 573 | 719 | 850 | 864 | |
| | LDB | 62.77 | 57.52 | 52.40 | 47.40 | 43.83 | 65.50 | 60.43 | 55.43 | 50.63 | 48.77 | 67.49 | 62.55 | 57.68 | 53.30 | 52.69 | |
| | LWB | 62.77 | 57.30 | 51.92 | 46.58 | 40.78 | 65.46 | 60.04 | 54.69 | 49.32 | 43.28 | 67.37 | 62.01 | 56.70 | 51.31 | 45.19 | |
| KW | 43.18 | 42.04 | 41.11 | 40.33 | 39.92 | 43.74 | 42.53 | 41.54 | 40.76 | 40.47 | 44.20 | 42.92 | 41.88 | 41.09 | 40.99 | | |
| 75 | 150 | TC | 1004 | 920 | 843 | 774 | 737 | 1039 | 954 | 875 | 808 | 790 | 1063 | 978 | 898 | 836 | 832 |
| | | SHC | 371 | 475 | 577 | 676 | 737 | 389 | 515 | 639 | 757 | 790 | 405 | 554 | 701 | 827 | 832 |
| | | LDB | 63.54 | 58.29 | 53.17 | 48.14 | 44.99 | 66.14 | 61.06 | 56.05 | 51.29 | 49.84 | 68.05 | 63.11 | 58.23 | 54.00 | 53.71 |
| | | LWB | 63.54 | 58.05 | 52.65 | 47.28 | 41.37 | 66.09 | 60.65 | 55.29 | 49.91 | 43.81 | 67.92 | 62.55 | 57.23 | 51.81 | 45.68 |
| | KW | 51.22 | 49.99 | 48.97 | 48.14 | 47.73 | 51.84 | 50.55 | 49.46 | 48.61 | 48.38 | 52.26 | 50.90 | 49.74 | 48.95 | 48.90 | |
| | 188 | TC | 1013 | 928 | 849 | 779 | 741 | 1049 | 963 | 883 | 814 | 794 | 1075 | 987 | 906 | 843 | 837 |
| | | SHC | 374 | 478 | 579 | 679 | 741 | 392 | 518 | 642 | 760 | 794 | 409 | 558 | 704 | 831 | 837 |
| | | LDB | 63.39 | 58.14 | 53.04 | 48.02 | 44.80 | 66.01 | 60.94 | 55.94 | 51.18 | 49.66 | 67.94 | 63.01 | 58.13 | 53.89 | 53.53 |
| | | LWB | 63.39 | 57.92 | 52.52 | 47.16 | 41.28 | 65.96 | 60.54 | 55.18 | 49.81 | 43.72 | 67.81 | 62.44 | 57.13 | 51.72 | 45.60 |
| | KW | 49.19 | 48.05 | 47.06 | 46.35 | 46.03 | 49.75 | 48.58 | 47.53 | 46.74 | 46.54 | 50.15 | 48.90 | 47.82 | 47.05 | 46.99 | |
| | 225 | TC | 1019 | 933 | 853 | 782 | 744 | 1056 | 969 | 887 | 818 | 797 | 1083 | 994 | 911 | 847 | 841 |
| | | SHC | 376 | 480 | 581 | 680 | 744 | 394 | 520 | 644 | 762 | 797 | 411 | 560 | 706 | 833 | 841 |
| LDB | | 63.30 | 58.05 | 52.96 | 47.95 | 44.68 | 65.93 | 60.87 | 55.87 | 51.10 | 49.55 | 67.86 | 62.93 | 58.06 | 53.80 | 53.42 | |
| LWB | | 63.30 | 57.83 | 52.44 | 47.09 | 41.22 | 65.88 | 60.46 | 55.12 | 49.75 | 43.67 | 67.74 | 62.38 | 57.07 | 51.67 | 45.54 | |
| KW | 47.91 | 46.83 | 45.95 | 45.21 | 44.92 | 48.45 | 47.31 | 46.37 | 45.62 | 45.37 | 48.84 | 47.65 | 46.64 | 45.93 | 45.87 | | |
| 263 | TC | 1024 | 937 | 856 | 785 | 745 | 1061 | 973 | 890 | 820 | 799 | 1088 | 998 | 915 | 850 | 843 | |
| | SHC | 378 | 482 | 582 | 681 | 745 | 396 | 522 | 645 | 763 | 799 | 413 | 562 | 708 | 835 | 843 | |
| | LDB | 63.23 | 57.99 | 52.91 | 47.89 | 44.59 | 65.87 | 60.81 | 55.82 | 51.05 | 49.47 | 67.81 | 62.88 | 58.02 | 53.75 | 53.34 | |
| | LWB | 63.23 | 57.76 | 52.38 | 47.04 | 41.17 | 65.82 | 60.41 | 55.07 | 49.70 | 43.63 | 67.69 | 62.33 | 57.03 | 51.63 | 45.51 | |
| KW | 46.99 | 45.98 | 45.12 | 44.43 | 44.11 | 47.48 | 46.43 | 45.53 | 44.82 | 44.60 | 47.87 | 46.74 | 45.80 | 45.10 | 45.04 | | |
| 85 | 150 | TC | 971 | 890 | 815 | 749 | 717 | 1003 | 921 | 845 | 781 | 768 | 1026 | 943 | 866 | 809 | 808 |
| | | SHC | 359 | 463 | 565 | 664 | 717 | 377 | 502 | 626 | 742 | 768 | 393 | 541 | 687 | 809 | 808 |
| | | LDB | 64.05 | 58.82 | 53.72 | 48.72 | 45.94 | 66.57 | 61.51 | 56.52 | 51.82 | 50.68 | 68.41 | 63.49 | 58.63 | 54.55 | 54.46 |
| | | LWB | 64.05 | 58.58 | 53.18 | 47.81 | 41.86 | 66.50 | 61.09 | 55.74 | 50.36 | 44.22 | 68.27 | 62.91 | 57.60 | 52.16 | 46.04 |
| | KW | 56.94 | 55.67 | 54.61 | 53.71 | 53.29 | 57.54 | 56.20 | 55.07 | 54.15 | 54.01 | 57.91 | 56.55 | 55.40 | 54.59 | 54.59 | |
| | 188 | TC | 981 | 898 | 822 | 755 | 721 | 1015 | 931 | 853 | 787 | 773 | 1038 | 954 | 875 | 816 | 814 |
| | | SHC | 363 | 467 | 568 | 667 | 721 | 380 | 506 | 630 | 746 | 773 | 397 | 545 | 691 | 816 | 814 |
| | | LDB | 63.89 | 58.68 | 53.58 | 48.58 | 45.73 | 66.43 | 61.38 | 56.39 | 51.69 | 50.48 | 68.29 | 63.37 | 58.51 | 54.35 | 54.27 |
| | | LWB | 63.89 | 58.43 | 53.05 | 47.69 | 41.76 | 66.37 | 60.97 | 55.63 | 50.25 | 44.13 | 68.16 | 62.80 | 57.50 | 52.08 | 45.95 |
| | KW | 54.50 | 53.41 | 52.50 | 51.77 | 51.41 | 55.01 | 53.89 | 52.90 | 52.14 | 52.00 | 55.34 | 54.19 | 53.17 | 52.49 | 52.47 | |
| | 225 | TC | 987 | 904 | 827 | 758 | 724 | 1022 | 937 | 858 | 791 | 776 | 1046 | 960 | 880 | 820 | 818 |
| | | SHC | 365 | 469 | 570 | 668 | 724 | 383 | 509 | 632 | 748 | 776 | 399 | 548 | 694 | 820 | 818 |
| LDB | | 63.79 | 58.58 | 53.49 | 48.50 | 45.60 | 66.34 | 61.29 | 56.31 | 51.61 | 50.35 | 68.22 | 63.30 | 58.44 | 54.23 | 54.15 | |
| LWB | | 63.79 | 58.34 | 52.96 | 47.61 | 41.69 | 66.28 | 60.88 | 55.55 | 50.19 | 44.06 | 68.08 | 62.73 | 57.44 | 52.03 | 45.89 | |
| KW | 52.91 | 51.95 | 51.16 | 50.51 | 50.20 | 53.40 | 52.38 | 51.52 | 50.84 | 50.72 | 53.71 | 52.63 | 51.74 | 51.14 | 51.12 | | |
| 263 | TC | 992 | 908 | 830 | 761 | 726 | 1028 | 942 | 862 | 794 | 779 | 1052 | 965 | 884 | 823 | 820 | |
| | SHC | 367 | 470 | 571 | 670 | 726 | 385 | 510 | 633 | 750 | 779 | 401 | 549 | 695 | 823 | 820 | |
| | LDB | 63.72 | 58.51 | 53.43 | 48.44 | 45.51 | 66.27 | 61.23 | 56.26 | 51.55 | 50.26 | 68.16 | 63.25 | 58.40 | 54.13 | 54.06 | |
| | LWB | 63.72 | 58.27 | 52.90 | 47.56 | 41.64 | 66.22 | 60.82 | 55.50 | 50.14 | 44.02 | 68.03 | 62.68 | 57.39 | 51.99 | 45.85 | |
| KW | 51.76 | 50.89 | 50.16 | 49.58 | 49.31 | 52.22 | 51.29 | 50.49 | 49.88 | 49.78 | 52.54 | 51.52 | 50.70 | 50.13 | 50.11 | | |

LEGEND

- BF — Bypass Factor
- EDB — Entering Dry Bulb (F)
- EWB — Entering Wet Bulb (F)
- EWT — Entering Water Temperature (F)
- KW — Compressor Motor Power Input (kilowatts)
- LDB — Leaving Dry Bulb (F)
- LWB — Leaving Wet Bulb (F)
- SHC — Sensible Capacity (1000 Btu/hr)
- TC — Total Capacity (1000 Btu/hr)



GROSS COOLING CAPACITIES (cont)
50XJC084 WITH (4) 15 HP COMPRESSORS (cont)

| EWT (F) | GPM | BF | AIR ENTERING EVAPORATOR — CFM AT 80 F EDB | | | | | | | | | | | | | | |
|---------|-------|-------|---|-------|-------|-------|-------|--------|-------|-------|-------|-------|--------|-------|-------|-------|-------|
| | | | 19,300 | | | | | 24,000 | | | | | 29,000 | | | | |
| | | | Air Entering Evaporator — Ewb (F) | | | | | | | | | | | | | | |
| | | | 77 | 72 | 67 | 62 | 57 | 77 | 72 | 67 | 62 | 57 | 77 | 72 | 67 | 62 | 57 |
| 0.001 | 0.054 | 0.054 | 0.058 | 0.197 | 0.044 | 0.071 | 0.07 | 0.088 | 0.309 | 0.07 | 0.087 | 0.087 | 0.142 | 0.389 | | | |
| 95 | 150 | TC | 935 | 858 | 786 | 722 | 696 | 964 | 886 | 812 | 752 | 743 | 986 | 906 | 833 | 783 | 782 |
| | | SHC | 347 | 451 | 552 | 650 | 696 | 364 | 489 | 613 | 727 | 743 | 379 | 528 | 673 | 783 | 782 |
| | | LDB | 64.59 | 59.40 | 54.32 | 49.34 | 46.96 | 67.03 | 61.99 | 57.02 | 52.40 | 51.63 | 68.79 | 63.89 | 59.07 | 55.38 | 55.28 |
| | | LWB | 64.59 | 59.14 | 53.75 | 48.39 | 42.38 | 66.96 | 61.56 | 56.23 | 50.84 | 44.68 | 68.64 | 63.30 | 57.99 | 52.52 | 46.42 |
| | | | | | | | | | | | | | | | | | |
| | | | | | | | | | | | | | | | | | |
| | | | | | | | | | | | | | | | | | |
| | | | | | | | | | | | | | | | | | |
| | | | | | | | | | | | | | | | | | |
| | | | | | | | | | | | | | | | | | |
| | | | | | | | | | | | | | | | | | |
| | 105 | 150 | TC | 897 | 822 | 753 | 692 | 672 | 923 | 848 | 778 | 722 | 717 | 943 | 867 | 797 | 754 |
| SHC | | | 334 | 437 | 538 | 636 | 672 | 350 | 475 | 598 | 709 | 717 | 366 | 514 | 659 | 754 | 753 |
| LDB | | | 65.18 | 60.01 | 54.95 | 50.02 | 48.06 | 67.52 | 62.50 | 57.55 | 53.06 | 52.62 | 69.20 | 64.31 | 59.50 | 56.29 | 56.19 |
| LWB | | | 65.18 | 59.74 | 54.38 | 49.03 | 42.93 | 67.43 | 62.06 | 56.73 | 51.33 | 45.17 | 69.04 | 63.71 | 58.42 | 52.90 | 46.85 |
| | | | | | | | | | | | | | | | | | |
| | | | | | | | | | | | | | | | | | |
| | | | | | | | | | | | | | | | | | |
| | | | | | | | | | | | | | | | | | |
| | | | | | | | | | | | | | | | | | |
| | | | | | | | | | | | | | | | | | |
| | | | | | | | | | | | | | | | | | |
| | | | | | | | | | | | | | | | | | |
| 105 | 188 | TC | 908 | 832 | 761 | 699 | 677 | 935 | 858 | 786 | 729 | 723 | 956 | 878 | 806 | 761 | 760 |
| | | SHC | 338 | 441 | 541 | 639 | 677 | 354 | 479 | 602 | 713 | 723 | 370 | 518 | 663 | 761 | 760 |
| | | LDB | 65.01 | 59.84 | 54.78 | 49.86 | 47.84 | 67.38 | 62.36 | 57.40 | 52.91 | 52.40 | 69.07 | 64.19 | 59.38 | 56.08 | 55.98 |
| | | LWB | 65.01 | 59.58 | 54.23 | 48.88 | 42.82 | 67.30 | 61.92 | 56.61 | 51.21 | 45.06 | 68.92 | 63.59 | 58.31 | 52.81 | 46.75 |
| | | | | | | | | | | | | | | | | | |
| | | | | | | | | | | | | | | | | | |
| | | | | | | | | | | | | | | | | | |
| | | | | | | | | | | | | | | | | | |
| | | | | | | | | | | | | | | | | | |
| | | | | | | | | | | | | | | | | | |
| | | | | | | | | | | | | | | | | | |
| | | | | | | | | | | | | | | | | | |
| 105 | 225 | TC | 915 | 838 | 766 | 703 | 680 | 943 | 865 | 792 | 733 | 726 | 964 | 885 | 812 | 765 | 765 |
| | | SHC | 340 | 443 | 543 | 641 | 680 | 356 | 482 | 605 | 716 | 726 | 372 | 520 | 665 | 765 | 765 |
| | | LDB | 64.90 | 59.74 | 54.69 | 49.77 | 47.69 | 67.28 | 62.26 | 57.32 | 52.81 | 52.26 | 69.00 | 64.11 | 59.31 | 55.94 | 55.83 |
| | | LWB | 64.90 | 59.48 | 54.13 | 48.80 | 42.74 | 67.21 | 61.84 | 56.53 | 51.14 | 44.99 | 68.84 | 63.52 | 58.24 | 52.75 | 46.68 |
| | | | | | | | | | | | | | | | | | |
| | | | | | | | | | | | | | | | | | |
| | | | | | | | | | | | | | | | | | |
| | | | | | | | | | | | | | | | | | |
| 105 | 263 | TC | 920 | 842 | 770 | 706 | 683 | 949 | 870 | 796 | 737 | 729 | 970 | 890 | 816 | 769 | 768 |
| | | SHC | 342 | 445 | 545 | 643 | 683 | 358 | 483 | 606 | 718 | 729 | 375 | 522 | 667 | 769 | 768 |
| | | LDB | 64.82 | 59.66 | 54.62 | 49.70 | 47.58 | 67.21 | 62.20 | 57.26 | 52.74 | 52.15 | 68.94 | 64.06 | 59.26 | 55.83 | 55.73 |
| | | LWB | 64.82 | 59.40 | 54.06 | 48.73 | 42.69 | 67.14 | 61.77 | 56.47 | 51.09 | 44.94 | 68.79 | 63.47 | 58.19 | 52.71 | 46.64 |
| | | | | | | | | | | | | | | | | | |
| | | | | | | | | | | | | | | | | | |
| | | | | | | | | | | | | | | | | | |
| | | | | | | | | | | | | | | | | | |

LEGEND

- | | |
|--|--|
| BF — Bypass Factor | LDB — Leaving Dry Bulb (F) |
| EDB — Entering Dry Bulb (F) | LWB — Leaving Wet Bulb (F) |
| EWB — Entering Wet Bulb (F) | SHC — Sensible Capacity (1000 Btu/hr) |
| EWT — Entering Water Temperature (F) | TC — Total Capacity (1000 Btu/hr) |
| kW — Compressor Motor Power Input (kilowatts) | |

Performance data (cont)



GROSS COOLING CAPACITIES (cont)

50XJD084 WITH (2) 13 HP COMPRESSORS AND (2) 20 HP COMPRESSORS

| EWT (F) | GPM | BF | AIR ENTERING EVAPORATOR — CFM AT 80 F EDB | | | | | | | | | | | | | | | |
|------------|-------|-------|---|-------|-------|-------|-------|--------|-------|-------|-------|-------|--------|-------|-------|-------|-------|-------|
| | | | 19,300 | | | | | 24,000 | | | | | 29,000 | | | | | |
| | | | Air Entering Evaporator — Ewb (F) | | | | | | | | | | | | | | | |
| | | | 77 | 72 | 67 | 62 | 57 | 77 | 72 | 67 | 62 | 57 | 77 | 72 | 67 | 62 | 57 | |
| 0.001 | 0.053 | 0.054 | 0.056 | 0.17 | 0.037 | 0.071 | 0.07 | 0.083 | 0.284 | 0.066 | 0.087 | 0.086 | 0.125 | 0.374 | | | | |
| 65 | 165 | TC | 1082 | 991 | 906 | 829 | 780 | 1123 | 1030 | 943 | 868 | 838 | 1154 | 1060 | 972 | 899 | 887 | |
| | | SHC | 399 | 503 | 605 | 704 | 780 | 418 | 544 | 668 | 787 | 838 | 435 | 584 | 731 | 865 | 887 | |
| | | LDB | 62.29 | 57.00 | 51.87 | 46.85 | 42.95 | 65.10 | 60.01 | 54.99 | 50.15 | 48.00 | 67.16 | 62.21 | 57.30 | 52.82 | 51.96 | |
| | 206 | LWB | 62.29 | 56.80 | 51.40 | 46.05 | 40.32 | 65.08 | 59.64 | 54.27 | 48.90 | 67.06 | 61.67 | 56.34 | 50.96 | 44.84 | 44.84 | |
| | | KW | 47.17 | 45.91 | 44.88 | 44.03 | 43.59 | 47.68 | 46.43 | 45.34 | 44.47 | 44.16 | 46.87 | 45.74 | 44.90 | 44.90 | 44.77 | |
| | | TC | 1089 | 996 | 910 | 833 | 782 | 1131 | 1036 | 948 | 872 | 841 | 1162 | 1067 | 977 | 904 | 891 | |
| | 248 | SHC | 401 | 506 | 607 | 705 | 782 | 420 | 546 | 670 | 789 | 841 | 438 | 587 | 734 | 867 | 891 | |
| | | LDB | 62.18 | 56.90 | 51.78 | 46.77 | 42.86 | 65.00 | 59.92 | 54.92 | 50.07 | 47.88 | 67.08 | 62.13 | 57.23 | 52.75 | 51.85 | |
| | | LWB | 62.18 | 56.70 | 51.31 | 45.97 | 40.28 | 64.98 | 59.55 | 54.19 | 48.83 | 42.84 | 66.98 | 61.59 | 56.27 | 50.90 | 44.79 | |
| | 75 | 165 | KW | 45.76 | 44.62 | 43.66 | 42.85 | 42.36 | 46.31 | 45.10 | 44.10 | 43.27 | 42.95 | 46.87 | 45.53 | 44.47 | 43.65 | 43.51 |
| | | | TC | 1094 | 1000 | 913 | 835 | 783 | 1136 | 1040 | 951 | 874 | 843 | 1168 | 1071 | 981 | 907 | 893 |
| | | | SHC | 403 | 507 | 608 | 706 | 783 | 422 | 548 | 671 | 790 | 843 | 439 | 588 | 735 | 869 | 893 |
| 206 | | LDB | 62.11 | 56.83 | 51.72 | 46.73 | 42.79 | 64.94 | 59.87 | 54.87 | 50.03 | 47.81 | 67.03 | 62.08 | 57.19 | 52.70 | 51.78 | |
| | | LWB | 62.11 | 56.64 | 51.25 | 45.93 | 40.24 | 64.92 | 59.50 | 54.14 | 48.79 | 42.80 | 66.92 | 61.55 | 56.23 | 50.86 | 44.75 | |
| | | KW | 44.88 | 43.75 | 42.81 | 42.06 | 41.59 | 45.40 | 44.23 | 43.23 | 42.44 | 42.14 | 45.90 | 44.65 | 43.59 | 42.80 | 42.66 | |
| 289 | | TC | 1097 | 1002 | 915 | 837 | 784 | 1139 | 1043 | 953 | 876 | 844 | 1172 | 1074 | 983 | 909 | 894 | |
| | | SHC | 404 | 508 | 609 | 707 | 784 | 423 | 549 | 672 | 792 | 844 | 441 | 589 | 736 | 870 | 894 | |
| | | LDB | 62.06 | 56.79 | 51.68 | 46.69 | 42.75 | 64.90 | 59.83 | 54.83 | 49.99 | 47.75 | 66.99 | 62.05 | 57.16 | 52.67 | 51.73 | |
| 85 | | 165 | LWB | 62.06 | 56.59 | 51.21 | 45.89 | 40.21 | 64.88 | 59.46 | 54.11 | 48.76 | 42.77 | 66.89 | 61.51 | 56.20 | 50.83 | 44.73 |
| | | | KW | 44.26 | 43.16 | 42.25 | 41.52 | 41.05 | 44.83 | 43.62 | 42.65 | 41.90 | 41.60 | 45.30 | 44.03 | 43.00 | 42.24 | 42.10 |
| | | | TC | 1052 | 963 | 881 | 807 | 763 | 1091 | 1001 | 917 | 844 | 819 | 1121 | 1029 | 943 | 874 | 865 |
| | 206 | SHC | 388 | 492 | 594 | 693 | 763 | 407 | 533 | 657 | 775 | 819 | 424 | 573 | 719 | 851 | 865 | |
| | | LDB | 62.77 | 57.50 | 52.37 | 47.37 | 43.77 | 65.49 | 60.42 | 55.41 | 50.59 | 48.73 | 67.49 | 62.55 | 57.66 | 53.26 | 52.65 | |
| | | LWB | 62.77 | 57.29 | 51.90 | 46.55 | 40.75 | 65.46 | 60.03 | 54.67 | 49.30 | 43.26 | 67.37 | 62.00 | 56.68 | 51.30 | 45.17 | |
| | 248 | KW | 51.60 | 50.42 | 49.43 | 48.76 | 48.36 | 52.14 | 50.94 | 49.90 | 49.14 | 48.87 | 52.61 | 51.36 | 50.26 | 49.43 | 49.35 | |
| | | TC | 1060 | 969 | 886 | 811 | 765 | 1100 | 1008 | 922 | 849 | 822 | 1130 | 1036 | 949 | 879 | 869 | |
| | | SHC | 390 | 495 | 596 | 695 | 765 | 409 | 535 | 659 | 778 | 822 | 427 | 576 | 722 | 854 | 869 | |
| | 289 | LDB | 62.66 | 57.39 | 52.27 | 47.28 | 43.64 | 65.39 | 60.33 | 55.32 | 50.51 | 48.60 | 67.40 | 62.47 | 57.58 | 53.18 | 52.52 | |
| | | LWB | 62.66 | 57.18 | 51.79 | 46.46 | 40.68 | 65.36 | 59.94 | 54.58 | 49.22 | 43.20 | 67.29 | 61.92 | 56.61 | 51.23 | 45.11 | |
| | | KW | 49.90 | 48.87 | 47.97 | 47.22 | 46.89 | 50.42 | 49.31 | 48.38 | 47.64 | 47.37 | 50.87 | 49.69 | 48.72 | 47.95 | 47.86 | |
| 95 | 165 | TC | 1065 | 973 | 889 | 814 | 767 | 1105 | 1012 | 926 | 852 | 824 | 1136 | 1042 | 954 | 882 | 872 | |
| | | SHC | 392 | 496 | 597 | 696 | 767 | 411 | 537 | 660 | 779 | 824 | 429 | 577 | 724 | 855 | 872 | |
| | | LDB | 62.58 | 57.32 | 52.21 | 47.22 | 43.56 | 65.32 | 60.26 | 55.26 | 50.45 | 48.51 | 67.34 | 62.41 | 57.53 | 53.12 | 52.43 | |
| | 206 | LWB | 62.58 | 57.11 | 51.73 | 46.40 | 40.64 | 65.29 | 59.88 | 54.53 | 49.18 | 43.15 | 67.23 | 61.86 | 56.56 | 51.19 | 45.07 | |
| | | KW | 48.81 | 47.80 | 46.97 | 46.31 | 45.93 | 49.32 | 48.24 | 47.34 | 46.67 | 46.41 | 49.72 | 48.62 | 47.66 | 46.95 | 46.87 | |
| | | TC | 1068 | 976 | 891 | 815 | 768 | 1109 | 1015 | 929 | 854 | 826 | 1140 | 1045 | 956 | 885 | 874 | |
| | 248 | SHC | 393 | 498 | 598 | 697 | 768 | 413 | 538 | 662 | 780 | 826 | 430 | 579 | 725 | 857 | 874 | |
| | | LDB | 62.52 | 57.27 | 52.16 | 47.18 | 43.50 | 65.27 | 60.22 | 55.22 | 50.41 | 48.45 | 67.30 | 62.36 | 57.49 | 53.08 | 52.37 | |
| | | LWB | 62.52 | 57.06 | 51.69 | 46.36 | 40.61 | 65.25 | 59.83 | 54.49 | 49.14 | 43.12 | 67.19 | 61.83 | 56.52 | 51.16 | 45.04 | |
| | 289 | KW | 48.04 | 47.08 | 46.30 | 45.67 | 45.31 | 48.53 | 47.49 | 46.65 | 46.02 | 45.77 | 48.94 | 47.85 | 46.95 | 46.29 | 46.21 | |
| | | TC | 1019 | 933 | 853 | 782 | 744 | 1056 | 969 | 887 | 818 | 797 | 1083 | 994 | 911 | 847 | 841 | |
| | | SHC | 376 | 480 | 581 | 680 | 744 | 395 | 520 | 644 | 762 | 797 | 411 | 560 | 706 | 834 | 841 | |
| 105 | 165 | LDB | 63.30 | 58.05 | 52.96 | 47.94 | 44.68 | 65.92 | 60.86 | 55.87 | 51.10 | 49.54 | 67.86 | 62.93 | 58.07 | 53.79 | 53.42 | |
| | | LWB | 63.30 | 57.83 | 52.44 | 47.09 | 41.22 | 65.88 | 60.46 | 55.11 | 49.75 | 43.66 | 67.74 | 62.38 | 57.07 | 51.67 | 45.54 | |
| | | KW | 57.16 | 56.08 | 55.18 | 54.47 | 54.12 | 57.71 | 56.57 | 55.62 | 54.88 | 54.67 | 58.07 | 56.90 | 55.91 | 55.16 | 55.12 | |
| | 206 | TC | 1027 | 940 | 859 | 787 | 747 | 1065 | 976 | 894 | 823 | 801 | 1093 | 1002 | 918 | 852 | 846 | |
| | | SHC | 379 | 483 | 584 | 683 | 747 | 398 | 523 | 647 | 764 | 801 | 414 | 563 | 709 | 837 | 846 | |
| | | LDB | 63.17 | 57.93 | 52.85 | 47.84 | 44.53 | 65.82 | 60.76 | 55.77 | 51.00 | 49.40 | 67.76 | 62.84 | 57.97 | 53.68 | 53.27 | |
| | 248 | LWB | 63.17 | 57.71 | 52.33 | 47.00 | 41.14 | 65.77 | 60.36 | 55.02 | 49.66 | 43.59 | 67.64 | 62.29 | 56.99 | 51.59 | 45.47 | |
| | | KW | 55.07 | 54.16 | 53.39 | 52.77 | 52.50 | 55.54 | 54.58 | 53.77 | 53.13 | 52.92 | 55.89 | 54.86 | 54.00 | 53.37 | 53.31 | |
| | | TC | 1032 | 944 | 862 | 790 | 749 | 1071 | 981 | 898 | 826 | 804 | 1099 | 1008 | 922 | 856 | 849 | |
| | 289 | SHC | 381 | 485 | 585 | 684 | 749 | 400 | 525 | 648 | 766 | 804 | 417 | 565 | 711 | 839 | 849 | |
| | | LDB | 63.09 | 57.85 | 52.77 | 47.78 | 44.42 | 65.74 | 60.70 | 55.71 | 50.94 | 49.30 | 67.70 | 62.78 | 57.92 | 53.62 | 53.18 | |
| | | LWB | 63.09 | 57.63 | 52.26 | 46.93 | 41.09 | 65.70 | 60.30 | 54.96 | 49.61 | 43.55 | 67.58 | 62.23 | 56.93 | 51.55 | 45.43 | |
| 115 | 165 | KW | 53.67 | 52.84 | 52.17 | 51.66 | 51.43 | 54.19 | 53.22 | 52.50 | 51.96 | 51.77 | 54.56 | 53.49 | 52.70 | 52.16 | 52.11 | |
| | | TC | 1036 | 947 | 865 | 791 | 750 | 1075 | 984 | 900 | 828 | 805 | 1104 | 1011 | 925 | 858 | 851 | |
| | | SHC | 382 | 486 | 586 | 685 | 750 | 401 | 526 | 649 | 767 | 805 | 418 | 566 | 712 | 841 | 851 | |
| | 206 | LDB | 63.03 | 57.80 | 52.72 | 47.73 | 44.36 | 65.69 | 60.65 | 55.67 | 50.89 | 49.24 | 67.66 | 62.74 | 57.88 | 53.57 | 53.11 | |
| | | LWB | 63.03 | 57.58 | 52.21 | 46.89 | 41.05 | 65.65 | 60.25 | 54.92 | 49.57 | 43.51 | 67.54 | 62.19 | 56.90 | 51.52 | 45.39 | |
| | | KW | 52.81 | 51.94 | 51.35 | 50.87 | 50.66 | 53.26 | 52.32 | 51.63 | 51.16 | 50.98 | 53.62 | 52.61 | 51.82 | 51.34 | 51.29 | |

LEGEND

- BF — Bypass Factor
- EDB — Entering Dry Bulb (F)
- EWB — Entering Wet Bulb (F)
- EWT — Entering Water Temperature (F)
- kW — Compressor Motor Power Input (kilowatts)
- LDB — Leaving Dry Bulb (F)
- LWB — Leaving Wet Bulb (F)
- SHC — Sensible Capacity (1000 Btu/hr)
- TC — Total Capacity (1000 Btu/hr)



GROSS COOLING CAPACITIES (cont)

50XJD084 WITH (2) 13 HP COMPRESSORS AND (2) 20 HP COMPRESSORS (cont)

| EWT (F) | GPM | BF | AIR ENTERING EVAPORATOR — CFM AT 80 F EDB | | | | | | | | | | | | | | |
|---------|-------|-------|---|-------|-------|-------|-------|--------|-------|-------|-------|-------|--------|-------|-------|-------|-------|
| | | | 19,300 | | | | | 24,000 | | | | | 29,000 | | | | |
| | | | Air Entering Evaporator — Ewb (F) | | | | | | | | | | | | | | |
| | | | 77 | 72 | 67 | 62 | 57 | 77 | 72 | 67 | 62 | 57 | 77 | 72 | 67 | 62 | 57 |
| 0.001 | 0.053 | 0.054 | 0.056 | 0.17 | 0.037 | 0.071 | 0.07 | 0.083 | 0.284 | 0.066 | 0.087 | 0.086 | 0.125 | 0.374 | | | |
| 95 | 165 | TC | 983 | 900 | 823 | 755 | 721 | 1018 | 933 | 855 | 788 | 773 | 1041 | 956 | 877 | 817 | 815 |
| | | SHC | 364 | 467 | 568 | 667 | 721 | 382 | 507 | 630 | 746 | 773 | 398 | 546 | 692 | 817 | 815 |
| | | LDB | 63.86 | 58.64 | 53.56 | 48.57 | 45.73 | 66.39 | 61.35 | 56.38 | 51.67 | 50.46 | 68.26 | 63.34 | 58.50 | 54.32 | 54.24 |
| | | LWB | 63.86 | 58.40 | 53.03 | 47.68 | 41.76 | 66.33 | 60.94 | 55.60 | 50.25 | 44.12 | 68.12 | 62.78 | 57.48 | 52.07 | 45.93 |
| | KW | 63.78 | 62.64 | 61.68 | 60.91 | 60.50 | 64.35 | 63.14 | 62.14 | 61.30 | 61.17 | 64.70 | 63.46 | 62.42 | 61.66 | 61.65 | |
| | 206 | TC | 992 | 907 | 829 | 760 | 725 | 1027 | 941 | 861 | 793 | 778 | 1052 | 965 | 884 | 822 | 820 |
| | | SHC | 367 | 470 | 571 | 669 | 725 | 385 | 510 | 633 | 749 | 778 | 401 | 549 | 695 | 822 | 820 |
| | | LDB | 63.72 | 58.51 | 53.44 | 48.46 | 45.56 | 66.27 | 61.24 | 56.26 | 51.56 | 50.30 | 68.16 | 63.25 | 58.40 | 54.16 | 54.09 |
| | | LWB | 63.72 | 58.28 | 52.91 | 47.58 | 41.67 | 66.22 | 60.83 | 55.51 | 50.16 | 44.04 | 68.03 | 62.69 | 57.40 | 52.00 | 45.86 |
| | KW | 61.48 | 60.53 | 59.71 | 59.05 | 58.73 | 61.98 | 60.97 | 60.09 | 59.39 | 59.27 | 62.27 | 61.23 | 60.32 | 59.69 | 59.66 | |
| | 248 | TC | 997 | 912 | 833 | 763 | 727 | 1034 | 947 | 866 | 797 | 781 | 1059 | 971 | 888 | 825 | 823 |
| | | SHC | 369 | 472 | 572 | 671 | 727 | 387 | 512 | 635 | 751 | 781 | 403 | 552 | 697 | 825 | 823 |
| LDB | | 63.64 | 58.43 | 53.37 | 48.39 | 45.45 | 66.20 | 61.17 | 56.20 | 51.49 | 50.18 | 68.09 | 63.18 | 58.34 | 54.05 | 53.98 | |
| LWB | | 63.64 | 58.20 | 52.84 | 47.51 | 41.61 | 66.15 | 60.76 | 55.44 | 50.09 | 43.98 | 67.96 | 62.62 | 57.34 | 51.95 | 45.81 | |
| KW | 59.93 | 59.08 | 58.38 | 57.84 | 57.55 | 60.39 | 59.47 | 58.71 | 58.12 | 58.03 | 60.67 | 59.70 | 58.91 | 58.36 | 58.34 | | |
| 289 | TC | 1001 | 915 | 836 | 765 | 729 | 1038 | 950 | 869 | 799 | 783 | 1063 | 974 | 892 | 828 | 825 | |
| | SHC | 370 | 473 | 573 | 672 | 729 | 388 | 513 | 636 | 752 | 783 | 405 | 553 | 698 | 828 | 825 | |
| | LDB | 63.58 | 58.37 | 53.32 | 48.34 | 45.37 | 66.15 | 61.12 | 56.15 | 51.45 | 50.11 | 68.05 | 63.15 | 58.30 | 53.97 | 53.91 | |
| | LWB | 63.58 | 58.14 | 52.79 | 47.47 | 41.57 | 66.10 | 60.71 | 55.39 | 50.05 | 43.94 | 67.92 | 62.58 | 57.30 | 51.92 | 45.78 | |
| KW | 58.86 | 58.09 | 57.47 | 56.97 | 56.73 | 59.27 | 58.45 | 57.78 | 57.23 | 57.14 | 59.53 | 58.65 | 57.94 | 57.45 | 57.43 | | |
| 105 | 165 | TC | 945 | 865 | 791 | 726 | 698 | 975 | 894 | 819 | 757 | 747 | 998 | 916 | 840 | 788 | 787 |
| | | SHC | 350 | 454 | 554 | 652 | 698 | 367 | 492 | 615 | 730 | 747 | 383 | 531 | 676 | 788 | 787 |
| | | LDB | 64.45 | 59.27 | 54.21 | 49.24 | 46.84 | 66.90 | 61.88 | 56.92 | 52.30 | 51.48 | 68.68 | 63.78 | 58.98 | 55.23 | 55.13 |
| | | LWB | 64.45 | 59.01 | 53.65 | 48.30 | 42.32 | 66.83 | 61.45 | 56.13 | 50.76 | 44.62 | 68.53 | 63.20 | 57.91 | 52.45 | 46.35 |
| | KW | 71.23 | 70.00 | 68.93 | 68.05 | 67.59 | 71.75 | 70.45 | 69.35 | 68.43 | 68.32 | 72.14 | 70.82 | 69.69 | 68.98 | 68.96 | |
| | 206 | TC | 954 | 872 | 797 | 731 | 702 | 985 | 903 | 826 | 762 | 751 | 1008 | 925 | 847 | 793 | 792 |
| | | SHC | 353 | 456 | 557 | 655 | 702 | 371 | 496 | 619 | 733 | 751 | 387 | 535 | 680 | 793 | 792 |
| | | LDB | 64.31 | 59.14 | 54.08 | 49.12 | 46.67 | 66.78 | 61.76 | 56.80 | 52.19 | 51.31 | 68.57 | 63.68 | 58.86 | 55.06 | 54.97 |
| | | LWB | 64.31 | 58.89 | 53.53 | 48.20 | 42.23 | 66.71 | 61.34 | 56.03 | 50.67 | 44.53 | 68.43 | 63.10 | 57.83 | 52.38 | 46.28 |
| | KW | 68.74 | 67.70 | 66.80 | 66.06 | 65.67 | 69.19 | 68.10 | 67.14 | 66.38 | 66.26 | 69.51 | 68.41 | 67.42 | 66.82 | 66.79 | |
| | 248 | TC | 959 | 877 | 801 | 734 | 704 | 992 | 908 | 830 | 766 | 754 | 1015 | 931 | 852 | 797 | 795 |
| | | SHC | 355 | 458 | 559 | 656 | 704 | 373 | 498 | 621 | 735 | 754 | 389 | 537 | 682 | 797 | 795 |
| LDB | | 64.22 | 59.05 | 54.00 | 49.05 | 46.55 | 66.70 | 61.68 | 56.73 | 52.11 | 51.19 | 68.51 | 63.62 | 58.80 | 54.95 | 54.86 | |
| LWB | | 64.22 | 58.80 | 53.45 | 48.13 | 42.17 | 66.64 | 61.27 | 55.96 | 50.61 | 44.47 | 68.37 | 63.04 | 57.77 | 52.34 | 46.23 | |
| KW | 67.04 | 66.13 | 65.36 | 64.74 | 64.39 | 67.47 | 66.49 | 65.66 | 65.02 | 64.92 | 67.75 | 66.75 | 65.89 | 65.36 | 65.35 | | |
| 289 | TC | 964 | 881 | 804 | 737 | 706 | 997 | 912 | 834 | 768 | 756 | 1020 | 935 | 856 | 799 | 798 | |
| | SHC | 357 | 460 | 560 | 658 | 706 | 374 | 499 | 622 | 736 | 756 | 391 | 538 | 683 | 799 | 798 | |
| | LDB | 64.16 | 58.99 | 53.94 | 49.00 | 46.47 | 66.64 | 61.63 | 56.68 | 52.06 | 51.11 | 68.46 | 63.58 | 58.75 | 54.87 | 54.78 | |
| | LWB | 64.16 | 58.74 | 53.40 | 48.08 | 42.13 | 66.58 | 61.21 | 55.91 | 50.57 | 44.43 | 68.32 | 63.00 | 57.73 | 52.30 | 46.19 | |
| KW | 65.87 | 65.05 | 64.37 | 63.80 | 63.50 | 66.26 | 65.38 | 64.64 | 64.05 | 63.96 | 66.51 | 65.61 | 64.86 | 64.37 | 64.35 | | |

LEGEND

- BF** — Bypass Factor
- EDB** — Entering Dry Bulb (F)
- EWB** — Entering Wet Bulb (F)
- EWT** — Entering Water Temperature (F)
- kW** — Compressor Motor Power Input (kilowatts)
- LDB** — Leaving Dry Bulb (F)
- LWB** — Leaving Wet Bulb (F)
- SHC** — Sensible Capacity (1000 Btu/hr)
- TC** — Total Capacity (1000 Btu/hr)

Performance data (cont)



GROSS COOLING CAPACITIES (cont)

50XJE084 WITH (2) 15 HP COMPRESSORS AND (2) 20 HP COMPRESSORS

| EWT (F) | GPM | BF | AIR ENTERING EVAPORATOR — CFM AT 80 F EDB | | | | | | | | | | | | | | |
|---------|-------|-------|---|-------|-------|-------|-------|--------|-------|-------|-------|-------|--------|-------|-------|-------|-------|
| | | | 19,300 | | | | | 24,000 | | | | | 29,000 | | | | |
| | | | Air Entering Evaporator — Ewb (F) | | | | | | | | | | | | | | |
| | | | 77 | 72 | 67 | 62 | 57 | 77 | 72 | 67 | 62 | 57 | 77 | 72 | 67 | 62 | 57 |
| 0.001 | 0.052 | 0.054 | 0.054 | 0.133 | 0.023 | 0.069 | 0.069 | 0.077 | 0.249 | 0.059 | 0.086 | 0.085 | 0.112 | 0.342 | | | |
| 65 | 175 | TC | 1143 | 1046 | 957 | 876 | 815 | 1190 | 1090 | 999 | 917 | 878 | 1224 | 1124 | 1031 | 952 | 930 |
| | | SHC | 421 | 526 | 628 | 727 | 815 | 441 | 568 | 692 | 812 | 878 | 459 | 608 | 756 | 894 | 930 |
| | | LDB | 61.30 | 55.96 | 50.81 | 45.78 | 41.30 | 64.25 | 59.13 | 54.11 | 49.20 | 46.46 | 66.46 | 61.48 | 56.56 | 51.93 | 50.61 |
| | | LWB | 61.30 | 55.79 | 50.36 | 45.01 | 39.45 | 64.25 | 58.80 | 53.41 | 48.05 | 42.12 | 66.38 | 60.97 | 55.62 | 50.24 | 44.18 |
| | KW | 51.70 | 50.38 | 49.27 | 48.37 | 47.75 | 52.49 | 50.96 | 49.79 | 48.85 | 48.42 | 52.85 | 51.42 | 50.22 | 49.26 | 49.02 | |
| | 219 | TC | 1150 | 1052 | 961 | 879 | 817 | 1198 | 1097 | 1004 | 922 | 881 | 1233 | 1132 | 1037 | 957 | 934 |
| | | SHC | 423 | 529 | 630 | 729 | 817 | 444 | 571 | 694 | 815 | 881 | 462 | 611 | 758 | 896 | 934 |
| | | LDB | 61.19 | 55.86 | 50.72 | 45.69 | 41.18 | 64.15 | 59.03 | 54.02 | 49.13 | 46.34 | 66.37 | 61.40 | 56.48 | 51.86 | 50.49 |
| | | LWB | 61.19 | 55.68 | 50.27 | 44.93 | 39.39 | 64.15 | 58.70 | 53.33 | 47.98 | 42.06 | 66.29 | 60.89 | 55.55 | 50.18 | 44.12 |
| | KW | 50.07 | 48.86 | 47.87 | 47.02 | 46.40 | 50.73 | 49.43 | 48.34 | 47.45 | 47.06 | 51.24 | 49.89 | 48.74 | 47.87 | 47.60 | |
| | 263 | TC | 1155 | 1056 | 964 | 882 | 819 | 1203 | 1102 | 1008 | 924 | 883 | 1239 | 1136 | 1041 | 960 | 936 |
| | | SHC | 425 | 530 | 631 | 730 | 819 | 446 | 572 | 696 | 816 | 883 | 464 | 613 | 760 | 898 | 936 |
| LDB | | 61.11 | 55.79 | 50.66 | 45.64 | 41.10 | 64.09 | 58.97 | 53.97 | 49.07 | 46.26 | 66.31 | 61.34 | 56.43 | 51.80 | 50.41 | |
| LWB | | 61.11 | 55.61 | 50.21 | 44.88 | 39.35 | 64.09 | 58.64 | 53.27 | 47.93 | 42.02 | 66.23 | 60.83 | 55.50 | 50.14 | 44.09 | |
| KW | 49.05 | 47.90 | 46.91 | 46.12 | 45.56 | 49.68 | 48.46 | 47.38 | 46.52 | 46.15 | 50.22 | 48.88 | 47.77 | 46.91 | 46.66 | | |
| 306 | TC | 1158 | 1058 | 966 | 883 | 820 | 1207 | 1105 | 1010 | 926 | 885 | 1243 | 1140 | 1043 | 962 | 938 | |
| | SHC | 426 | 531 | 632 | 731 | 820 | 447 | 574 | 697 | 817 | 885 | 465 | 614 | 761 | 899 | 938 | |
| | LDB | 61.06 | 55.74 | 50.62 | 45.60 | 41.05 | 64.04 | 58.92 | 53.93 | 49.04 | 46.22 | 66.27 | 61.31 | 56.40 | 51.76 | 50.36 | |
| | LWB | 61.06 | 55.57 | 50.17 | 44.84 | 39.32 | 64.04 | 58.60 | 53.24 | 47.90 | 42.00 | 66.19 | 60.80 | 55.47 | 50.11 | 44.06 | |
| KW | 48.37 | 47.21 | 46.27 | 45.52 | 44.97 | 49.03 | 47.76 | 46.72 | 45.90 | 45.56 | 49.52 | 48.20 | 47.10 | 46.27 | 46.03 | | |
| 75 | 175 | TC | 1113 | 1018 | 931 | 852 | 797 | 1156 | 1060 | 971 | 892 | 858 | 1189 | 1092 | 1001 | 925 | 908 |
| | | SHC | 409 | 515 | 616 | 715 | 797 | 429 | 555 | 680 | 800 | 858 | 447 | 596 | 743 | 880 | 908 |
| | | LDB | 61.80 | 56.48 | 51.34 | 46.32 | 42.17 | 64.68 | 59.59 | 54.56 | 49.67 | 47.24 | 66.82 | 61.85 | 56.93 | 52.36 | 51.30 |
| | | LWB | 61.80 | 56.30 | 50.88 | 45.54 | 39.91 | 64.67 | 59.22 | 53.85 | 48.49 | 42.52 | 66.72 | 61.32 | 55.98 | 50.60 | 44.52 |
| | KW | 56.71 | 55.44 | 54.47 | 53.69 | 53.13 | 57.30 | 56.00 | 54.88 | 54.08 | 53.74 | 57.82 | 56.47 | 55.30 | 54.48 | 54.28 | |
| | 219 | TC | 1121 | 1025 | 936 | 857 | 800 | 1165 | 1067 | 977 | 897 | 861 | 1199 | 1100 | 1008 | 931 | 912 |
| | | SHC | 412 | 517 | 619 | 717 | 800 | 432 | 559 | 682 | 802 | 861 | 450 | 599 | 746 | 883 | 912 |
| | | LDB | 61.68 | 56.36 | 51.23 | 46.22 | 42.02 | 64.57 | 59.46 | 54.46 | 49.59 | 47.10 | 66.72 | 61.76 | 56.85 | 52.27 | 51.16 |
| | | LWB | 61.68 | 56.18 | 50.77 | 45.44 | 39.83 | 64.56 | 59.12 | 53.75 | 48.40 | 42.45 | 66.63 | 61.23 | 55.90 | 50.53 | 44.45 |
| | KW | 54.79 | 53.67 | 52.73 | 51.98 | 51.50 | 55.35 | 54.14 | 53.15 | 52.31 | 52.03 | 55.83 | 54.57 | 53.51 | 52.73 | 52.48 | |
| | 263 | TC | 1126 | 1029 | 940 | 859 | 801 | 1171 | 1072 | 981 | 900 | 864 | 1205 | 1105 | 1012 | 934 | 915 |
| | | SHC | 414 | 519 | 620 | 719 | 801 | 434 | 561 | 684 | 804 | 864 | 452 | 601 | 748 | 885 | 915 |
| LDB | | 61.59 | 56.29 | 51.16 | 46.15 | 41.93 | 64.49 | 59.39 | 54.40 | 49.53 | 47.01 | 66.65 | 61.70 | 56.79 | 52.21 | 51.07 | |
| LWB | | 61.59 | 56.10 | 50.70 | 45.38 | 39.79 | 64.49 | 59.06 | 53.69 | 48.35 | 42.40 | 66.56 | 61.18 | 55.85 | 50.48 | 44.41 | |
| KW | 53.57 | 52.50 | 51.62 | 50.87 | 50.46 | 54.09 | 52.96 | 51.99 | 51.23 | 50.94 | 54.53 | 53.37 | 52.35 | 51.61 | 51.40 | | |
| 306 | TC | 1129 | 1032 | 942 | 861 | 803 | 1175 | 1075 | 983 | 902 | 865 | 1210 | 1109 | 1015 | 937 | 917 | |
| | SHC | 415 | 520 | 621 | 720 | 803 | 436 | 562 | 685 | 805 | 865 | 454 | 603 | 749 | 886 | 917 | |
| | LDB | 61.54 | 56.24 | 51.12 | 46.11 | 41.87 | 64.44 | 59.35 | 54.35 | 49.49 | 46.94 | 66.61 | 61.66 | 56.75 | 52.18 | 51.01 | |
| | LWB | 61.54 | 56.05 | 50.65 | 45.34 | 39.75 | 64.44 | 59.01 | 53.65 | 48.31 | 42.37 | 66.52 | 61.14 | 55.81 | 50.45 | 44.38 | |
| KW | 52.69 | 51.68 | 50.86 | 50.19 | 49.71 | 53.23 | 52.12 | 51.21 | 50.51 | 50.23 | 53.68 | 52.51 | 51.55 | 50.85 | 50.65 | | |
| 85 | 175 | TC | 1077 | 986 | 902 | 826 | 777 | 1118 | 1026 | 939 | 864 | 835 | 1150 | 1056 | 968 | 895 | 884 |
| | | SHC | 397 | 502 | 603 | 702 | 777 | 416 | 542 | 666 | 786 | 835 | 433 | 583 | 730 | 863 | 884 |
| | | LDB | 62.37 | 57.08 | 51.95 | 46.94 | 43.12 | 65.15 | 60.07 | 55.05 | 50.20 | 48.12 | 67.20 | 62.25 | 57.36 | 52.87 | 52.07 |
| | | LWB | 62.37 | 56.88 | 51.48 | 46.13 | 40.41 | 65.13 | 59.69 | 54.33 | 48.96 | 42.95 | 67.10 | 61.71 | 56.39 | 51.02 | 44.89 |
| | KW | 63.01 | 61.80 | 60.78 | 59.97 | 59.44 | 63.56 | 62.32 | 61.25 | 60.42 | 60.08 | 64.06 | 62.80 | 61.68 | 60.77 | 60.68 | |
| | 219 | TC | 1086 | 993 | 908 | 830 | 780 | 1128 | 1034 | 946 | 869 | 839 | 1160 | 1065 | 975 | 901 | 888 |
| | | SHC | 400 | 505 | 606 | 704 | 780 | 419 | 545 | 669 | 788 | 839 | 437 | 586 | 733 | 867 | 888 |
| | | LDB | 62.23 | 56.95 | 51.83 | 46.82 | 42.96 | 65.03 | 59.95 | 54.95 | 50.10 | 47.96 | 67.10 | 62.15 | 57.25 | 52.77 | 51.92 |
| | | LWB | 62.23 | 56.75 | 51.36 | 46.03 | 40.32 | 65.01 | 59.58 | 54.22 | 48.87 | 42.88 | 67.00 | 61.62 | 56.30 | 50.93 | 44.82 |
| | KW | 60.64 | 59.65 | 58.79 | 58.07 | 57.63 | 61.14 | 60.06 | 59.17 | 58.45 | 58.16 | 61.58 | 60.46 | 59.54 | 58.77 | 58.68 | |
| | 263 | TC | 1092 | 998 | 911 | 834 | 782 | 1134 | 1039 | 950 | 873 | 842 | 1167 | 1070 | 980 | 905 | 892 |
| | | SHC | 402 | 507 | 607 | 706 | 782 | 422 | 547 | 671 | 790 | 842 | 439 | 588 | 735 | 869 | 892 |
| LDB | | 62.14 | 56.86 | 51.75 | 46.75 | 42.86 | 64.95 | 59.88 | 54.88 | 50.04 | 47.85 | 67.03 | 62.09 | 57.19 | 52.70 | 51.81 | |
| LWB | | 62.14 | 56.66 | 51.28 | 45.96 | 40.27 | 64.94 | 59.51 | 54.16 | 48.82 | 42.82 | 66.93 | 61.56 | 56.24 | 50.88 | 44.77 | |
| KW | 59.13 | 58.20 | 57.45 | 56.85 | 56.48 | 59.57 | 58.58 | 57.78 | 57.16 | 56.91 | 59.94 | 58.95 | 58.10 | 57.44 | 57.36 | | |
| 306 | TC | 1096 | 1001 | 914 | 836 | 783 | 1139 | 1043 | 953 | 875 | 843 | 1172 | 1074 | 983 | 908 | 894 | |
| | SHC | 403 | 508 | 609 | 707 | 783 | 423 | 549 | 672 | 791 | 843 | 441 | 590 | 736 | 870 | 894 | |
| | LDB | 62.07 | 56.80 | 51.69 | 46.70 | 42.79 | 64.90 | 59.83 | 54.83 | 49.99 | 47.78 | 66.98 | 62.05 | 57.15 | 52.65 | 51.75 | |
| | LWB | 62.07 | 56.61 | 51.23 | 45.91 | 40.23 | 64.88 | 59.46 | 54.11 | 48.77 | 42.79 | 66.89 | 61.51 | 56.20 | 50.84 | 44.74 | |
| KW | 58.04 | 57.20 | 56.54 | 56.00 | 55.65 | 58.53 | 57.54 | 56.82 | 56.28 | 56.05 | 58.94 | 57.87 | 57.11 | 56.53 | 56.45 | | |

LEGEND

- BF — Bypass Factor
- EDB — Entering Dry Bulb (F)
- EWB — Entering Wet Bulb (F)
- EWT — Entering Water Temperature (F)
- KW — Compressor Motor Power Input (kilowatts)
- LDB — Leaving Dry Bulb (F)
- LWB — Leaving Wet Bulb (F)
- SHC — Sensible Capacity (1000 Btu/hr)
- TC — Total Capacity (1000 Btu/hr)



GROSS COOLING CAPACITIES (cont)

50XJE084 WITH (2) 15 HP COMPRESSORS AND (2) 20 HP COMPRESSORS (cont)

| EWT (F) | GPM | BF | AIR ENTERING EVAPORATOR — CFM AT 80 F EDB | | | | | | | | | | | | | | |
|---------|-------|-------|---|-------|-------|-------|-------|--------|-------|-------|-------|-------|--------|-------|-------|-------|-------|
| | | | 19,300 | | | | | 24,000 | | | | | 29,000 | | | | |
| | | | Air Entering Evaporator — Ewb (F) | | | | | | | | | | | | | | |
| | | | 77 | 72 | 67 | 62 | 57 | 77 | 72 | 67 | 62 | 57 | 77 | 72 | 67 | 62 | 57 |
| 0.001 | 0.052 | 0.054 | 0.054 | 0.133 | 0.023 | 0.069 | 0.069 | 0.077 | 0.249 | 0.059 | 0.086 | 0.085 | 0.112 | 0.342 | | | |
| 95 | 175 | TC | 1039 | 951 | 870 | 797 | 755 | 1078 | 989 | 905 | 834 | 810 | 1106 | 1015 | 931 | 863 | 855 |
| | | SHC | 383 | 488 | 588 | 688 | 755 | 402 | 528 | 651 | 770 | 810 | 419 | 568 | 714 | 845 | 855 |
| | | LDB | 62.98 | 57.72 | 52.63 | 47.60 | 44.16 | 65.65 | 60.59 | 55.60 | 50.78 | 49.07 | 67.63 | 62.70 | 57.82 | 53.45 | 52.96 |
| | | LWB | 62.98 | 57.50 | 52.11 | 46.77 | 40.95 | 65.62 | 60.20 | 54.84 | 49.48 | 43.43 | 67.51 | 62.15 | 56.83 | 51.45 | 45.32 |
| | KW | 70.29 | 69.01 | 67.91 | 67.02 | 66.52 | 70.92 | 69.59 | 68.45 | 67.57 | 67.22 | 71.39 | 70.02 | 68.83 | 67.88 | 67.82 | |
| | 219 | TC | 1049 | 959 | 876 | 802 | 758 | 1088 | 997 | 912 | 839 | 814 | 1118 | 1025 | 939 | 869 | 861 |
| | | SHC | 387 | 491 | 591 | 690 | 758 | 406 | 531 | 655 | 773 | 814 | 423 | 571 | 718 | 848 | 861 |
| | | LDB | 62.83 | 57.58 | 52.49 | 47.48 | 43.99 | 65.53 | 60.47 | 55.47 | 50.67 | 48.90 | 67.52 | 62.59 | 57.71 | 53.34 | 52.79 |
| | | LWB | 62.83 | 57.37 | 51.98 | 46.66 | 40.86 | 65.50 | 60.08 | 54.73 | 49.38 | 43.35 | 67.40 | 62.04 | 56.74 | 51.36 | 45.24 |
| | KW | 67.71 | 66.65 | 65.72 | 64.95 | 64.54 | 68.24 | 67.12 | 66.17 | 65.41 | 65.10 | 68.68 | 67.49 | 66.49 | 65.70 | 65.61 | |
| | 263 | TC | 1055 | 964 | 880 | 805 | 761 | 1095 | 1003 | 917 | 843 | 817 | 1125 | 1031 | 944 | 873 | 864 |
| | | SHC | 389 | 493 | 594 | 692 | 761 | 408 | 533 | 657 | 775 | 817 | 425 | 574 | 720 | 851 | 864 |
| LDB | | 62.74 | 57.49 | 52.39 | 47.40 | 43.88 | 65.44 | 60.39 | 55.40 | 50.60 | 48.78 | 67.44 | 62.52 | 57.64 | 53.26 | 52.68 | |
| LWB | | 62.74 | 57.28 | 51.91 | 46.58 | 40.80 | 65.42 | 60.01 | 54.66 | 49.32 | 43.29 | 67.33 | 61.98 | 56.68 | 51.31 | 45.19 | |
| KW | 66.02 | 65.06 | 64.27 | 63.62 | 63.27 | 66.50 | 65.49 | 64.65 | 64.00 | 63.73 | 66.91 | 65.84 | 64.93 | 64.25 | 64.18 | | |
| 306 | TC | 1059 | 967 | 883 | 808 | 762 | 1099 | 1006 | 920 | 846 | 819 | 1130 | 1036 | 947 | 876 | 867 | |
| | SHC | 390 | 494 | 595 | 693 | 762 | 409 | 535 | 658 | 776 | 819 | 427 | 575 | 721 | 853 | 867 | |
| | LDB | 62.67 | 57.43 | 52.33 | 47.35 | 43.80 | 65.39 | 60.34 | 55.35 | 50.55 | 48.71 | 67.39 | 62.47 | 57.60 | 53.21 | 52.61 | |
| | LWB | 62.67 | 57.22 | 51.85 | 46.53 | 40.76 | 65.36 | 60.01 | 54.62 | 49.28 | 43.25 | 67.28 | 61.93 | 56.63 | 51.27 | 45.15 | |
| KW | 64.83 | 63.97 | 63.28 | 62.68 | 62.37 | 65.26 | 64.35 | 63.60 | 63.03 | 62.79 | 65.66 | 64.67 | 63.85 | 63.26 | 63.20 | | |
| 105 | 175 | TC | 999 | 914 | 836 | 766 | 730 | 1035 | 949 | 868 | 800 | 783 | 1059 | 973 | 892 | 828 | 826 |
| | | SHC | 369 | 473 | 573 | 672 | 730 | 387 | 513 | 636 | 753 | 783 | 404 | 552 | 698 | 828 | 826 |
| | | LDB | 63.62 | 58.39 | 53.32 | 48.32 | 45.33 | 66.18 | 61.14 | 56.17 | 51.42 | 50.09 | 68.08 | 63.16 | 58.32 | 53.97 | 53.90 |
| | | LWB | 63.62 | 58.16 | 52.78 | 47.44 | 41.55 | 66.13 | 60.73 | 55.40 | 50.05 | 43.93 | 67.96 | 62.60 | 57.30 | 51.92 | 45.77 |
| | KW | 78.46 | 77.06 | 75.83 | 74.80 | 74.25 | 79.18 | 77.71 | 76.42 | 75.34 | 75.16 | 79.60 | 78.11 | 76.80 | 75.78 | 75.77 | |
| | 219 | TC | 1008 | 922 | 843 | 771 | 734 | 1045 | 958 | 876 | 806 | 788 | 1071 | 982 | 900 | 836 | 831 |
| | | SHC | 372 | 476 | 576 | 675 | 734 | 391 | 516 | 640 | 756 | 788 | 408 | 556 | 702 | 827 | 831 |
| | | LDB | 63.47 | 58.25 | 53.18 | 48.19 | 45.14 | 66.05 | 61.01 | 56.03 | 51.30 | 49.91 | 67.97 | 63.06 | 58.20 | 54.00 | 53.72 |
| | | LWB | 63.47 | 58.02 | 52.65 | 47.33 | 41.46 | 66.01 | 60.61 | 55.28 | 49.94 | 43.84 | 67.84 | 62.50 | 57.21 | 51.81 | 45.69 |
| | KW | 75.67 | 74.50 | 73.46 | 72.58 | 72.13 | 76.26 | 75.08 | 73.98 | 73.06 | 72.85 | 76.64 | 75.38 | 74.27 | 73.44 | 73.38 | |
| | 263 | TC | 1015 | 927 | 847 | 775 | 737 | 1052 | 964 | 881 | 810 | 791 | 1079 | 989 | 905 | 840 | 835 |
| | | SHC | 375 | 478 | 578 | 677 | 737 | 393 | 518 | 642 | 758 | 791 | 410 | 558 | 704 | 830 | 835 |
| | | LDB | 63.37 | 58.15 | 53.09 | 48.11 | 45.01 | 65.97 | 60.93 | 55.96 | 51.22 | 49.79 | 67.89 | 62.99 | 58.13 | 53.91 | 53.60 |
| | | LWB | 63.37 | 57.93 | 52.57 | 47.25 | 41.39 | 65.93 | 60.53 | 55.21 | 49.88 | 43.79 | 67.77 | 62.43 | 57.14 | 51.76 | 45.63 |
| | KW | 73.83 | 72.79 | 71.90 | 71.16 | 70.78 | 74.37 | 73.29 | 72.36 | 71.57 | 71.37 | 74.73 | 73.58 | 72.60 | 71.88 | 71.82 | |
| | 306 | TC | 1019 | 931 | 850 | 777 | 739 | 1057 | 968 | 885 | 813 | 793 | 1084 | 993 | 909 | 843 | 838 |
| SHC | | 376 | 480 | 580 | 678 | 739 | 395 | 520 | 643 | 760 | 793 | 412 | 560 | 705 | 832 | 838 | |
| LDB | | 63.30 | 58.09 | 53.03 | 48.05 | 44.92 | 65.91 | 60.88 | 55.91 | 51.17 | 49.70 | 67.84 | 62.94 | 58.09 | 53.85 | 53.52 | |
| LWB | | 63.30 | 57.86 | 52.51 | 47.20 | 41.34 | 65.87 | 60.48 | 55.15 | 49.83 | 43.74 | 67.72 | 62.38 | 57.10 | 51.72 | 45.59 | |
| KW | 72.53 | 71.60 | 70.83 | 70.14 | 69.81 | 73.02 | 72.05 | 71.23 | 70.53 | 70.34 | 73.36 | 72.32 | 71.44 | 70.80 | 70.75 | | |

LEGEND

- BF** — Bypass Factor
- EDB** — Entering Dry Bulb (F)
- EWB** — Entering Wet Bulb (F)
- EWT** — Entering Water Temperature (F)
- kW** — Compressor Motor Power Input (kilowatts)
- LDB** — Leaving Dry Bulb (F)
- LWB** — Leaving Wet Bulb (F)
- SHC** — Sensible Capacity (1000 Btu/hr)
- TC** — Total Capacity (1000 Btu/hr)

Performance data (cont)



GROSS COOLING CAPACITIES (cont)

50XJF084 WITH (2) 13 HP COMPRESSORS AND (2) 25 HP COMPRESSORS

| EWT (F) | GPM | BF | AIR ENTERING EVAPORATOR — CFM AT 80 F EDB | | | | | | | | | | | | | | |
|---------|-------|-------|---|-------|-------|-------|-------|--------|-------|-------|-------|-------|--------|-------|-------|-------|-------|
| | | | 19,300 | | | | | 24,000 | | | | | 29,000 | | | | |
| | | | Air Entering Evaporator — Ewb (F) | | | | | | | | | | | | | | |
| | | | 77 | 72 | 67 | 62 | 57 | 77 | 72 | 67 | 62 | 57 | 77 | 72 | 67 | 62 | 57 |
| 0.001 | 0.051 | 0.053 | 0.053 | 0.118 | 0.016 | 0.069 | 0.069 | 0.076 | 0.236 | 0.056 | 0.085 | 0.085 | 0.108 | 0.331 | | | |
| 65 | 190 | TC | 1168 | 1068 | 976 | 893 | 829 | 1217 | 1115 | 1021 | 937 | 893 | 1253 | 1150 | 1055 | 972 | 947 |
| | | SHC | 429 | 535 | 637 | 736 | 829 | 451 | 578 | 701 | 822 | 893 | 468 | 618 | 766 | 905 | 947 |
| | | LDB | 60.91 | 55.55 | 50.40 | 45.36 | 40.63 | 63.91 | 58.77 | 53.76 | 48.84 | 45.89 | 66.17 | 61.19 | 56.26 | 51.59 | 50.07 |
| | | LWB | 60.91 | 55.38 | 49.96 | 44.61 | 39.10 | 63.91 | 58.46 | 53.07 | 47.72 | 41.83 | 66.10 | 60.68 | 55.32 | 49.96 | 43.92 |
| | KW | 53.41 | 52.05 | 50.94 | 50.06 | 49.41 | 54.22 | 52.76 | 51.49 | 50.54 | 50.07 | 54.60 | 53.16 | 52.06 | 50.98 | 50.67 | |
| | 238 | TC | 1174 | 1073 | 981 | 897 | 831 | 1225 | 1122 | 1026 | 941 | 896 | 1262 | 1157 | 1060 | 977 | 950 |
| | | SHC | 432 | 537 | 639 | 738 | 831 | 453 | 580 | 703 | 824 | 896 | 471 | 621 | 768 | 907 | 950 |
| | | LDB | 60.80 | 55.45 | 50.31 | 45.28 | 40.52 | 63.82 | 58.68 | 53.68 | 48.76 | 45.78 | 66.08 | 61.10 | 56.18 | 51.51 | 49.96 |
| | | LWB | 60.80 | 55.28 | 49.87 | 44.53 | 39.04 | 63.82 | 58.37 | 52.99 | 47.65 | 41.77 | 66.01 | 60.60 | 55.26 | 49.90 | 43.86 |
| | KW | 51.80 | 50.58 | 49.56 | 48.69 | 48.09 | 52.50 | 51.18 | 50.10 | 49.16 | 48.71 | 53.02 | 51.64 | 50.48 | 49.57 | 49.28 | |
| | 285 | TC | 1179 | 1077 | 983 | 899 | 833 | 1230 | 1126 | 1029 | 944 | 898 | 1267 | 1162 | 1064 | 980 | 953 |
| | | SHC | 433 | 539 | 640 | 739 | 833 | 455 | 582 | 705 | 826 | 898 | 473 | 623 | 770 | 909 | 953 |
| LDB | | 60.72 | 55.38 | 50.25 | 45.23 | 40.45 | 63.76 | 58.62 | 53.62 | 48.71 | 45.71 | 66.03 | 61.05 | 56.13 | 51.47 | 49.89 | |
| LWB | | 60.72 | 55.22 | 49.81 | 44.48 | 39.00 | 63.76 | 58.31 | 52.93 | 47.60 | 41.74 | 65.96 | 60.55 | 55.21 | 49.86 | 43.83 | |
| KW | 50.83 | 49.63 | 48.63 | 47.82 | 47.28 | 51.49 | 50.23 | 49.14 | 48.26 | 47.83 | 52.05 | 50.69 | 49.53 | 48.64 | 48.37 | | |
| 333 | TC | 1182 | 1079 | 985 | 900 | 834 | 1234 | 1129 | 1032 | 945 | 899 | 1271 | 1165 | 1066 | 982 | 954 | |
| | SHC | 435 | 540 | 641 | 739 | 834 | 456 | 583 | 706 | 827 | 899 | 475 | 624 | 771 | 910 | 954 | |
| | LDB | 60.67 | 55.34 | 50.21 | 45.19 | 40.40 | 63.71 | 58.58 | 53.58 | 48.68 | 45.66 | 65.99 | 61.01 | 56.10 | 51.44 | 49.83 | |
| | LWB | 60.67 | 55.17 | 49.77 | 44.45 | 38.97 | 63.71 | 58.27 | 52.90 | 47.57 | 41.71 | 65.92 | 60.52 | 55.18 | 49.83 | 43.80 | |
| KW | 50.12 | 48.95 | 47.99 | 47.22 | 46.66 | 50.81 | 49.53 | 48.48 | 47.64 | 47.22 | 51.34 | 49.97 | 48.85 | 47.99 | 47.73 | | |
| 75 | 190 | TC | 1136 | 1040 | 951 | 870 | 810 | 1182 | 1084 | 992 | 911 | 873 | 1217 | 1117 | 1024 | 946 | 925 |
| | | SHC | 418 | 523 | 625 | 724 | 810 | 438 | 565 | 689 | 810 | 873 | 456 | 606 | 753 | 891 | 925 |
| | | LDB | 61.42 | 56.09 | 50.94 | 45.90 | 41.52 | 64.35 | 59.23 | 54.22 | 49.31 | 46.65 | 66.53 | 61.56 | 56.64 | 52.02 | 50.77 |
| | | LWB | 61.42 | 55.91 | 50.48 | 45.13 | 39.57 | 64.35 | 58.90 | 53.51 | 48.16 | 42.22 | 66.45 | 61.05 | 55.70 | 50.33 | 44.26 |
| | KW | 58.59 | 57.29 | 56.33 | 55.60 | 54.98 | 59.22 | 57.89 | 56.75 | 55.94 | 55.63 | 59.73 | 58.37 | 57.16 | 56.34 | 56.10 | |
| | 238 | TC | 1144 | 1046 | 955 | 874 | 813 | 1191 | 1091 | 998 | 916 | 877 | 1226 | 1125 | 1030 | 951 | 929 |
| | | SHC | 421 | 526 | 627 | 726 | 813 | 441 | 568 | 691 | 812 | 877 | 459 | 609 | 756 | 893 | 929 |
| | | LDB | 61.30 | 55.97 | 50.84 | 45.81 | 41.39 | 64.24 | 59.12 | 54.12 | 49.23 | 46.51 | 66.44 | 61.47 | 56.56 | 51.94 | 50.64 |
| | | LWB | 61.30 | 55.79 | 50.38 | 45.04 | 39.50 | 64.24 | 58.80 | 53.42 | 48.08 | 42.15 | 66.36 | 60.96 | 55.62 | 50.26 | 44.20 |
| | KW | 56.68 | 55.57 | 54.60 | 53.88 | 53.38 | 57.29 | 56.07 | 55.05 | 54.19 | 53.92 | 57.78 | 56.49 | 55.44 | 54.60 | 54.33 | |
| | 285 | TC | 1149 | 1050 | 959 | 877 | 815 | 1197 | 1095 | 1002 | 919 | 879 | 1232 | 1130 | 1035 | 954 | 931 |
| | | SHC | 422 | 528 | 629 | 728 | 815 | 443 | 570 | 693 | 813 | 879 | 461 | 611 | 758 | 895 | 931 |
| LDB | | 61.22 | 55.90 | 50.77 | 45.75 | 41.30 | 64.17 | 59.06 | 54.06 | 49.17 | 46.42 | 66.38 | 61.42 | 56.50 | 51.89 | 50.56 | |
| LWB | | 61.22 | 55.72 | 50.32 | 44.99 | 39.45 | 64.17 | 58.73 | 53.36 | 48.03 | 42.10 | 66.30 | 60.90 | 55.57 | 50.21 | 44.16 | |
| KW | 55.50 | 54.41 | 53.52 | 52.79 | 52.37 | 56.08 | 54.91 | 53.93 | 53.16 | 52.83 | 56.52 | 55.33 | 54.29 | 53.51 | 53.29 | | |
| 333 | TC | 1152 | 1053 | 961 | 879 | 816 | 1201 | 1099 | 1005 | 921 | 881 | 1237 | 1133 | 1038 | 956 | 933 | |
| | SHC | 424 | 529 | 630 | 728 | 816 | 445 | 571 | 694 | 814 | 881 | 463 | 612 | 759 | 896 | 933 | |
| | LDB | 61.16 | 55.84 | 50.72 | 45.71 | 41.24 | 64.12 | 59.01 | 54.02 | 49.13 | 46.37 | 66.33 | 61.38 | 56.47 | 51.85 | 50.50 | |
| | LWB | 61.16 | 55.67 | 50.27 | 44.95 | 39.42 | 64.12 | 58.69 | 53.32 | 47.99 | 42.07 | 66.25 | 60.86 | 55.53 | 50.18 | 44.13 | |
| KW | 54.62 | 53.59 | 52.76 | 52.09 | 51.62 | 55.20 | 54.06 | 53.14 | 52.43 | 52.13 | 55.65 | 54.46 | 53.48 | 52.76 | 52.55 | | |
| 85 | 190 | TC | 1102 | 1008 | 921 | 843 | 790 | 1144 | 1049 | 960 | 883 | 1177 | 1080 | 991 | 915 | 900 | |
| | | SHC | 405 | 510 | 612 | 711 | 790 | 425 | 551 | 675 | 795 | 850 | 443 | 592 | 739 | 875 | 900 |
| | | LDB | 61.98 | 56.68 | 51.55 | 46.53 | 42.50 | 64.83 | 59.74 | 54.72 | 49.85 | 47.54 | 66.93 | 61.97 | 57.07 | 52.52 | 51.55 |
| | | LWB | 61.98 | 56.49 | 51.08 | 45.74 | 40.08 | 64.82 | 59.37 | 54.00 | 48.65 | 42.67 | 66.84 | 61.45 | 56.11 | 50.74 | 44.64 |
| | KW | 65.12 | 63.92 | 62.91 | 62.09 | 61.50 | 65.69 | 64.42 | 63.34 | 62.51 | 62.17 | 66.17 | 64.89 | 63.80 | 62.92 | 62.75 | |
| | 238 | TC | 1110 | 1015 | 927 | 848 | 793 | 1154 | 1057 | 967 | 888 | 854 | 1187 | 1089 | 997 | 921 | 905 |
| | | SHC | 408 | 513 | 614 | 713 | 793 | 428 | 554 | 678 | 798 | 854 | 446 | 595 | 742 | 878 | 905 |
| | | LDB | 61.85 | 56.55 | 51.43 | 46.42 | 42.35 | 64.71 | 59.63 | 54.62 | 49.75 | 47.39 | 66.83 | 61.88 | 56.98 | 52.42 | 51.41 |
| | | LWB | 61.85 | 56.36 | 50.97 | 45.64 | 40.01 | 64.70 | 59.27 | 53.90 | 48.56 | 42.59 | 66.74 | 61.35 | 56.03 | 50.66 | 44.57 |
| | KW | 62.80 | 61.80 | 60.93 | 60.21 | 59.73 | 63.28 | 62.21 | 61.30 | 60.56 | 60.27 | 63.72 | 62.59 | 61.66 | 60.92 | 60.76 | |
| | 285 | TC | 1115 | 1019 | 931 | 851 | 795 | 1160 | 1061 | 971 | 891 | 856 | 1193 | 1094 | 1002 | 925 | 907 |
| | | SHC | 410 | 515 | 616 | 715 | 795 | 431 | 557 | 680 | 799 | 856 | 448 | 597 | 744 | 880 | 907 |
| LDB | | 61.76 | 56.47 | 51.35 | 46.35 | 42.25 | 64.63 | 59.54 | 54.55 | 49.69 | 47.29 | 66.77 | 61.82 | 56.92 | 52.36 | 51.31 | |
| LWB | | 61.76 | 56.28 | 50.89 | 45.57 | 39.95 | 64.63 | 59.20 | 53.84 | 48.50 | 42.54 | 66.68 | 61.29 | 55.97 | 50.61 | 44.53 | |
| KW | 61.31 | 60.39 | 59.64 | 59.04 | 58.61 | 61.76 | 60.76 | 59.94 | 59.31 | 59.07 | 62.15 | 61.12 | 60.26 | 59.63 | 59.48 | | |
| 333 | TC | 1119 | 1023 | 933 | 853 | 796 | 1164 | 1065 | 974 | 894 | 858 | 1198 | 1098 | 1005 | 928 | 910 | |
| | SHC | 412 | 516 | 617 | 716 | 796 | 432 | 558 | 681 | 801 | 858 | 450 | 599 | 745 | 881 | 910 | |
| | LDB | 61.70 | 56.41 | 51.30 | 46.30 | 42.18 | 64.57 | 59.49 | 54.50 | 49.65 | 47.22 | 66.72 | 61.78 | 56.88 | 52.32 | 51.25 | |
| | LWB | 61.70 | 56.22 | 50.84 | 45.53 | 39.92 | 64.57 | 59.15 | 53.79 | 48.46 | 42.51 | 66.63 | 61.25 | 55.93 | 50.57 | 44.49 | |
| KW | 60.20 | 59.38 | 58.73 | 58.16 | 57.77 | 60.70 | 59.71 | 58.98 | 58.42 | 58.20 | 61.12 | 60.03 | 59.26 | 58.72 | 58.57 | | |

LEGEND

- | | |
|---|---------------------------------------|
| BF — Bypass Factor | LDB — Leaving Dry Bulb (F) |
| EDB — Entering Dry Bulb (F) | LWB — Leaving Wet Bulb (F) |
| EWB — Entering Wet Bulb (F) | SHC — Sensible Capacity (1000 Btu/hr) |
| EWT — Entering Water Temperature (F) | TC — Total Capacity (1000 Btu/hr) |
| KW — Compressor Motor Power Input (kilowatts) | |



GROSS COOLING CAPACITIES (cont)

50XJF084 WITH (2) 13 HP COMPRESSORS AND (2) 25 HP COMPRESSORS (cont)

| EWT (F) | GPM | BF | AIR ENTERING EVAPORATOR — CFM AT 80 F EDB | | | | | | | | | | | | | | |
|---------|-------|-------|---|-------|-------|-------|-------|--------|-------|-------|-------|-------|--------|-------|-------|-------|-------|
| | | | 19,300 | | | | | 24,000 | | | | | 29,000 | | | | |
| | | | Air Entering Evaporator — Ewb (F) | | | | | | | | | | | | | | |
| | | | 77 | 72 | 67 | 62 | 57 | 77 | 72 | 67 | 62 | 57 | 77 | 72 | 67 | 62 | 57 |
| 0.001 | 0.051 | 0.053 | 0.053 | 0.118 | 0.016 | 0.069 | 0.069 | 0.076 | 0.236 | 0.056 | 0.085 | 0.085 | 0.108 | 0.331 | | | |
| 95 | 190 | TC | 1063 | 972 | 889 | 814 | 767 | 1103 | 1011 | 926 | 852 | 824 | 1133 | 1040 | 953 | 882 | 872 |
| | | SHC | 391 | 496 | 597 | 696 | 767 | 411 | 537 | 660 | 779 | 824 | 428 | 577 | 723 | 856 | 872 |
| | | LDB | 62.61 | 57.33 | 52.21 | 47.21 | 43.56 | 65.34 | 60.28 | 55.28 | 50.44 | 48.51 | 67.36 | 62.42 | 57.54 | 53.10 | 52.44 |
| | | LWB | 62.61 | 57.13 | 51.74 | 46.40 | 40.64 | 65.32 | 59.89 | 54.53 | 49.18 | 43.15 | 67.26 | 61.88 | 56.56 | 51.19 | 45.07 |
| | KW | 72.66 | 71.38 | 70.29 | 69.38 | 68.81 | 73.29 | 71.95 | 70.80 | 69.92 | 69.54 | 73.84 | 72.43 | 71.24 | 70.26 | 70.18 | |
| | 238 | TC | 1072 | 980 | 895 | 819 | 771 | 1113 | 1020 | 933 | 857 | 829 | 1144 | 1050 | 961 | 888 | 877 |
| | | SHC | 395 | 499 | 600 | 699 | 771 | 414 | 540 | 663 | 782 | 829 | 432 | 581 | 727 | 860 | 877 |
| | | LDB | 62.47 | 57.20 | 52.09 | 47.09 | 43.40 | 65.22 | 60.16 | 55.15 | 50.33 | 48.35 | 67.25 | 62.32 | 57.43 | 52.99 | 52.28 |
| | | LWB | 62.47 | 57.00 | 51.61 | 46.29 | 40.55 | 65.20 | 59.78 | 54.43 | 49.08 | 43.07 | 67.15 | 61.78 | 56.47 | 51.11 | 44.99 |
| | KW | 70.12 | 69.05 | 68.12 | 67.34 | 66.87 | 70.65 | 69.54 | 68.55 | 67.77 | 67.45 | 71.12 | 69.94 | 68.92 | 68.10 | 68.01 | |
| | 285 | TC | 1077 | 984 | 899 | 822 | 773 | 1119 | 1025 | 937 | 861 | 832 | 1151 | 1055 | 966 | 892 | 880 |
| | | SHC | 397 | 501 | 602 | 700 | 773 | 416 | 542 | 665 | 784 | 832 | 434 | 583 | 729 | 862 | 880 |
| LDB | | 62.38 | 57.12 | 52.01 | 47.02 | 43.29 | 65.14 | 60.08 | 55.09 | 50.26 | 48.24 | 67.19 | 62.25 | 57.37 | 52.92 | 52.17 | |
| LWB | | 62.38 | 56.91 | 51.53 | 46.22 | 40.50 | 65.12 | 59.70 | 54.36 | 49.02 | 43.02 | 67.09 | 61.72 | 56.41 | 51.06 | 44.94 | |
| KW | 68.48 | 67.52 | 66.72 | 66.06 | 65.64 | 68.96 | 67.93 | 67.08 | 66.42 | 66.15 | 69.39 | 68.32 | 67.41 | 66.70 | 66.62 | | |
| 333 | TC | 1081 | 988 | 902 | 824 | 775 | 1124 | 1029 | 940 | 863 | 834 | 1156 | 1060 | 969 | 895 | 883 | |
| | SHC | 398 | 502 | 603 | 701 | 775 | 418 | 543 | 667 | 785 | 834 | 436 | 584 | 731 | 864 | 883 | |
| | LDB | 62.31 | 57.05 | 51.95 | 46.97 | 43.21 | 65.08 | 60.03 | 55.04 | 50.21 | 48.16 | 67.14 | 62.21 | 57.32 | 52.86 | 52.09 | |
| | LWB | 62.31 | 56.85 | 51.48 | 46.17 | 40.46 | 65.07 | 59.65 | 54.31 | 48.98 | 42.98 | 67.04 | 61.67 | 56.37 | 51.02 | 44.90 | |
| KW | 67.28 | 66.41 | 65.71 | 65.10 | 64.73 | 67.70 | 66.77 | 66.02 | 65.43 | 65.18 | 68.10 | 67.13 | 66.32 | 65.70 | 65.62 | | |
| 105 | 190 | TC | 1021 | 934 | 854 | 782 | 743 | 1059 | 971 | 889 | 818 | 797 | 1086 | 996 | 913 | 847 | 842 |
| | | SHC | 377 | 481 | 581 | 680 | 743 | 396 | 521 | 644 | 762 | 797 | 412 | 561 | 707 | 835 | 842 |
| | | LDB | 63.27 | 58.03 | 52.95 | 47.94 | 44.71 | 65.89 | 60.84 | 55.86 | 51.08 | 49.55 | 67.83 | 62.91 | 58.05 | 53.75 | 53.39 |
| | | LWB | 63.27 | 57.80 | 52.42 | 47.09 | 41.23 | 65.85 | 60.44 | 55.09 | 49.75 | 43.67 | 67.71 | 62.35 | 57.04 | 51.66 | 45.53 |
| | KW | 81.13 | 79.72 | 78.50 | 77.44 | 76.89 | 81.84 | 80.39 | 79.12 | 78.03 | 77.73 | 82.33 | 80.81 | 79.51 | 78.46 | 78.42 | |
| | 238 | TC | 1030 | 942 | 861 | 787 | 747 | 1069 | 979 | 896 | 824 | 802 | 1097 | 1006 | 921 | 854 | 847 |
| | | SHC | 380 | 484 | 584 | 683 | 747 | 399 | 524 | 648 | 766 | 802 | 416 | 564 | 711 | 839 | 847 |
| | | LDB | 63.12 | 57.89 | 52.81 | 47.81 | 44.52 | 65.76 | 60.71 | 55.73 | 50.96 | 49.38 | 67.72 | 62.80 | 57.93 | 53.63 | 53.23 |
| | | LWB | 63.12 | 57.67 | 52.29 | 46.98 | 41.14 | 65.73 | 60.32 | 54.98 | 49.65 | 43.58 | 67.60 | 62.25 | 56.95 | 51.57 | 45.45 |
| | KW | 78.38 | 77.19 | 76.15 | 75.25 | 74.82 | 78.97 | 77.76 | 76.68 | 75.78 | 75.47 | 79.41 | 78.14 | 76.99 | 76.12 | 76.04 | |
| | 285 | TC | 1037 | 947 | 865 | 791 | 749 | 1076 | 985 | 901 | 828 | 805 | 1105 | 1012 | 926 | 858 | 851 |
| | | SHC | 382 | 486 | 586 | 685 | 749 | 401 | 526 | 650 | 768 | 805 | 419 | 567 | 713 | 842 | 851 |
| | | LDB | 63.02 | 57.80 | 52.73 | 47.74 | 44.41 | 65.68 | 60.64 | 55.66 | 50.88 | 49.26 | 67.64 | 62.73 | 57.87 | 53.55 | 53.11 |
| | | LWB | 63.02 | 57.58 | 52.21 | 46.90 | 41.08 | 65.65 | 60.25 | 54.91 | 49.58 | 43.53 | 67.53 | 62.18 | 56.89 | 51.52 | 45.40 |
| | KW | 76.59 | 75.54 | 74.64 | 73.87 | 73.50 | 77.13 | 76.03 | 75.09 | 74.34 | 74.06 | 77.54 | 76.37 | 75.37 | 74.62 | 74.54 | |
| | 333 | TC | 1041 | 951 | 868 | 793 | 751 | 1080 | 989 | 904 | 831 | 807 | 1110 | 1017 | 930 | 861 | 853 |
| SHC | | 384 | 487 | 587 | 686 | 751 | 403 | 528 | 651 | 769 | 807 | 420 | 568 | 714 | 843 | 853 | |
| LDB | | 62.96 | 57.73 | 52.67 | 47.68 | 44.33 | 65.62 | 60.59 | 55.61 | 50.83 | 49.18 | 67.59 | 62.68 | 57.82 | 53.49 | 53.03 | |
| LWB | | 62.96 | 57.51 | 52.15 | 46.85 | 41.04 | 65.59 | 60.19 | 54.86 | 49.53 | 43.48 | 67.48 | 62.13 | 56.85 | 51.48 | 45.36 | |
| KW | 75.29 | 74.34 | 73.55 | 72.84 | 72.51 | 75.76 | 74.78 | 73.96 | 73.28 | 73.00 | 76.15 | 75.09 | 74.20 | 73.52 | 73.46 | | |

LEGEND

- BF** — Bypass Factor
- EDB** — Entering Dry Bulb (F)
- EWB** — Entering Wet Bulb (F)
- EWT** — Entering Water Temperature (F)
- kW** — Compressor Motor Power Input (kilowatts)
- LDB** — Leaving Dry Bulb (F)
- LWB** — Leaving Wet Bulb (F)
- SHC** — Sensible Capacity (1000 Btu/hr)
- TC** — Total Capacity (1000 Btu/hr)

Performance data (cont)



GROSS COOLING CAPACITIES (cont) 50XJA094 WITH (4) 15 HP COMPRESSORS

| EWT (F) | GPM | BF | AIR ENTERING EVAPORATOR — CFM AT 80 F EDB | | | | | | | | | | | | | | | |
|---------|-------|-------|---|-------|-------|-------|-------|--------|-------|-------|-------|-------|--------|-------|-------|-------|-------|-------|
| | | | 20,400 | | | | | 26,000 | | | | | 31,000 | | | | | |
| | | | Air Entering Evaporator — Ewb (F) | | | | | | | | | | | | | | | |
| | | | 77 | 72 | 67 | 62 | 57 | 77 | 72 | 67 | 62 | 57 | 77 | 72 | 67 | 62 | 57 | |
| 0.001 | 0.056 | 0.055 | 0.061 | 0.223 | 0.054 | 0.074 | 0.074 | 0.103 | 0.344 | 0.076 | 0.09 | 0.091 | 0.172 | 0.424 | | | | |
| 65 | 150 | TC | 1046 | 960 | 879 | 808 | 772 | 1087 | 998 | 916 | 847 | 832 | 1109 | 1020 | 937 | 874 | 871 | |
| | | SHC | 387 | 497 | 605 | 709 | 772 | 408 | 544 | 678 | 803 | 832 | 423 | 583 | 739 | 874 | 871 | |
| | | LDB | 63.75 | 58.50 | 53.38 | 48.37 | 45.32 | 66.57 | 61.52 | 56.53 | 51.85 | 50.66 | 68.30 | 63.37 | 58.51 | 54.29 | 54.23 | |
| | 188 | LWB | 63.75 | 58.27 | 52.86 | 47.48 | 41.54 | 66.51 | 61.09 | 55.74 | 50.34 | 44.21 | 68.16 | 62.80 | 57.48 | 52.05 | 45.93 | |
| | | KW | 46.98 | 45.60 | 44.47 | 43.59 | 43.15 | 47.73 | 46.25 | 45.03 | 44.09 | 43.91 | 48.02 | 46.56 | 45.34 | 44.48 | 44.43 | |
| | | TC | 1056 | 967 | 885 | 813 | 776 | 1096 | 1007 | 923 | 853 | 837 | 1120 | 1029 | 944 | 880 | 877 | |
| | 225 | SHC | 390 | 500 | 607 | 712 | 776 | 411 | 547 | 681 | 806 | 837 | 427 | 586 | 742 | 878 | 877 | |
| | | LDB | 63.62 | 58.37 | 53.26 | 48.26 | 45.15 | 66.47 | 61.42 | 56.43 | 51.75 | 50.51 | 68.21 | 63.28 | 58.42 | 54.16 | 54.07 | |
| | | LWB | 63.62 | 58.14 | 52.75 | 47.38 | 41.46 | 66.40 | 60.99 | 55.64 | 50.26 | 44.14 | 68.07 | 62.71 | 57.40 | 51.98 | 45.85 | |
| | 75 | 150 | KW | 45.28 | 43.99 | 42.94 | 42.09 | 41.70 | 45.95 | 44.63 | 43.48 | 42.60 | 42.42 | 46.35 | 44.97 | 43.77 | 42.96 | 42.90 |
| | | | TC | 1066 | 975 | 892 | 818 | 779 | 1107 | 1016 | 930 | 859 | 841 | 1132 | 1039 | 952 | 887 | 883 |
| | | | SHC | 393 | 503 | 610 | 715 | 779 | 415 | 551 | 684 | 809 | 841 | 431 | 590 | 746 | 878 | 883 |
| 188 | | LDB | 63.47 | 58.24 | 53.14 | 48.14 | 44.98 | 66.34 | 61.30 | 56.32 | 51.64 | 50.34 | 68.09 | 63.18 | 58.32 | 54.17 | 53.90 | |
| | | LWB | 63.47 | 58.01 | 52.63 | 47.28 | 41.37 | 66.28 | 60.88 | 55.54 | 50.16 | 44.06 | 67.96 | 62.61 | 57.31 | 51.89 | 45.77 | |
| | | KW | 43.38 | 42.22 | 41.26 | 40.48 | 40.12 | 43.98 | 42.77 | 41.76 | 40.95 | 40.76 | 44.38 | 43.11 | 42.01 | 41.27 | 41.22 | |
| 225 | | TC | 1017 | 932 | 854 | 786 | 754 | 1053 | 968 | 888 | 823 | 811 | 1074 | 988 | 908 | 851 | 850 | |
| | | SHC | 376 | 487 | 594 | 698 | 754 | 396 | 533 | 667 | 791 | 811 | 412 | 571 | 727 | 851 | 850 | |
| | | LDB | 64.19 | 58.96 | 53.85 | 48.85 | 46.14 | 66.94 | 61.90 | 56.92 | 52.30 | 51.40 | 68.61 | 63.70 | 58.85 | 54.96 | 54.87 | |
| 263 | | LWB | 64.19 | 58.72 | 53.32 | 47.94 | 41.96 | 66.87 | 61.46 | 56.12 | 50.72 | 44.57 | 68.47 | 63.11 | 57.80 | 52.34 | 46.23 | |
| | | KW | 51.47 | 50.22 | 49.17 | 48.35 | 47.94 | 52.13 | 50.79 | 49.67 | 48.80 | 48.69 | 52.49 | 51.11 | 49.94 | 49.21 | 49.19 | |
| | | TC | 1026 | 940 | 861 | 791 | 758 | 1064 | 977 | 896 | 829 | 816 | 1086 | 998 | 916 | 857 | 856 | |
| 188 | SHC | 380 | 490 | 597 | 701 | 758 | 400 | 536 | 670 | 793 | 816 | 416 | 575 | 731 | 857 | 856 | | |
| | LDB | 64.05 | 58.83 | 53.72 | 48.73 | 45.95 | 66.82 | 61.78 | 56.80 | 52.20 | 51.22 | 68.51 | 63.60 | 58.74 | 54.78 | 54.70 | | |
| | LWB | 64.05 | 58.59 | 53.20 | 47.83 | 41.87 | 66.75 | 61.35 | 56.02 | 50.62 | 44.48 | 68.36 | 63.01 | 57.71 | 52.26 | 46.15 | | |
| 225 | KW | 49.41 | 48.26 | 47.24 | 46.52 | 46.19 | 50.02 | 48.80 | 47.72 | 46.92 | 46.81 | 50.36 | 49.09 | 48.00 | 47.26 | 47.23 | | |
| | TC | 1032 | 946 | 865 | 794 | 760 | 1071 | 983 | 900 | 833 | 820 | 1094 | 1005 | 921 | 861 | 859 | | |
| | SHC | 382 | 492 | 599 | 703 | 760 | 403 | 538 | 672 | 796 | 820 | 419 | 577 | 733 | 861 | 859 | | |
| 263 | LDB | 63.96 | 58.74 | 53.64 | 48.66 | 45.84 | 66.74 | 61.71 | 56.75 | 52.12 | 51.10 | 68.44 | 63.53 | 58.69 | 54.67 | 54.59 | | |
| | LWB | 63.96 | 58.50 | 53.12 | 47.76 | 41.81 | 66.67 | 61.28 | 55.95 | 50.56 | 44.43 | 68.29 | 62.95 | 57.65 | 52.22 | 46.10 | | |
| | KW | 48.12 | 47.02 | 46.11 | 45.36 | 45.06 | 48.72 | 47.54 | 46.55 | 45.80 | 45.68 | 49.04 | 47.82 | 46.79 | 46.12 | 46.10 | | |
| 85 | 150 | TC | 1037 | 949 | 868 | 797 | 762 | 1077 | 987 | 904 | 836 | 822 | 1099 | 1009 | 925 | 864 | 862 | |
| | | SHC | 384 | 493 | 600 | 704 | 762 | 404 | 540 | 674 | 797 | 822 | 420 | 579 | 735 | 864 | 862 | |
| | | LDB | 63.89 | 58.68 | 53.59 | 48.61 | 45.75 | 66.68 | 61.66 | 56.69 | 52.07 | 51.02 | 68.39 | 63.48 | 58.64 | 54.59 | 54.51 | |
| | 188 | LWB | 63.89 | 58.44 | 53.06 | 47.71 | 41.77 | 66.61 | 61.22 | 55.90 | 50.52 | 44.39 | 68.25 | 62.90 | 57.61 | 52.18 | 46.06 | |
| | | KW | 47.18 | 46.16 | 45.28 | 44.58 | 44.26 | 47.75 | 46.64 | 45.70 | 44.98 | 44.86 | 48.05 | 46.91 | 45.95 | 45.29 | 45.26 | |
| | | TC | 983 | 902 | 827 | 761 | 733 | 1017 | 934 | 857 | 796 | 788 | 1036 | 953 | 876 | 827 | 826 | |
| | 225 | SHC | 365 | 475 | 582 | 686 | 733 | 384 | 520 | 654 | 775 | 788 | 400 | 559 | 714 | 827 | 826 | |
| | | LDB | 64.67 | 59.46 | 54.37 | 49.40 | 47.05 | 67.34 | 62.31 | 57.35 | 52.84 | 52.22 | 68.95 | 64.04 | 59.23 | 55.68 | 55.58 | |
| | | LWB | 64.67 | 59.21 | 53.82 | 48.44 | 42.42 | 67.26 | 61.87 | 56.53 | 51.12 | 44.97 | 68.79 | 63.45 | 58.15 | 52.65 | 46.57 | |
| | 263 | KW | 57.23 | 55.93 | 54.84 | 53.95 | 53.55 | 57.81 | 56.45 | 55.30 | 54.44 | 54.33 | 58.15 | 56.79 | 55.62 | 54.94 | 54.92 | |
| | | TC | 994 | 911 | 834 | 767 | 738 | 1028 | 944 | 865 | 802 | 794 | 1049 | 964 | 885 | 833 | 832 | |
| | | SHC | 369 | 478 | 585 | 689 | 738 | 388 | 524 | 658 | 779 | 794 | 404 | 563 | 718 | 833 | 832 | |
| 188 | LDB | 64.52 | 59.32 | 54.23 | 49.27 | 46.86 | 67.21 | 62.19 | 57.23 | 52.70 | 52.02 | 68.84 | 63.94 | 59.11 | 55.51 | 55.40 | | |
| | LWB | 64.52 | 59.07 | 53.69 | 48.32 | 42.33 | 67.13 | 61.75 | 56.42 | 51.02 | 44.88 | 68.69 | 63.35 | 58.05 | 52.57 | 46.48 | | |
| | KW | 54.74 | 53.64 | 52.71 | 51.97 | 51.63 | 55.25 | 54.11 | 53.09 | 52.35 | 52.25 | 55.56 | 54.39 | 53.36 | 52.76 | 52.75 | | |
| 225 | TC | 1000 | 916 | 838 | 770 | 740 | 1036 | 951 | 871 | 806 | 797 | 1057 | 971 | 890 | 837 | 836 | | |
| | SHC | 371 | 480 | 587 | 691 | 740 | 391 | 527 | 660 | 781 | 797 | 407 | 565 | 720 | 837 | 836 | | |
| | LDB | 64.43 | 59.23 | 54.15 | 49.20 | 46.73 | 67.13 | 62.11 | 57.16 | 52.61 | 51.90 | 68.77 | 63.87 | 59.05 | 55.39 | 55.29 | | |
| 263 | LWB | 64.43 | 58.98 | 53.61 | 48.25 | 42.26 | 67.05 | 61.67 | 56.35 | 50.96 | 44.81 | 68.62 | 63.28 | 57.99 | 52.52 | 46.43 | | |
| | KW | 53.13 | 52.15 | 51.34 | 50.69 | 50.37 | 53.62 | 52.57 | 51.68 | 51.03 | 50.94 | 53.90 | 52.81 | 51.90 | 51.39 | 51.37 | | |
| | TC | 1005 | 920 | 842 | 773 | 743 | 1042 | 955 | 874 | 810 | 800 | 1063 | 975 | 894 | 840 | 839 | | |
| 188 | SHC | 373 | 482 | 588 | 692 | 743 | 393 | 528 | 661 | 783 | 800 | 409 | 567 | 722 | 840 | 839 | | |
| | LDB | 64.36 | 59.16 | 54.09 | 49.13 | 46.63 | 67.07 | 62.06 | 57.10 | 52.56 | 51.80 | 68.71 | 63.82 | 59.00 | 55.30 | 55.20 | | |
| | LWB | 64.36 | 58.91 | 53.55 | 48.19 | 42.21 | 66.99 | 61.62 | 56.30 | 50.91 | 44.77 | 68.56 | 63.23 | 57.95 | 52.48 | 46.39 | | |
| 263 | KW | 51.96 | 51.07 | 50.32 | 49.74 | 49.47 | 52.42 | 51.46 | 50.64 | 50.04 | 49.96 | 52.73 | 51.68 | 50.85 | 50.35 | 50.34 | | |

LEGEND

- BF — Bypass Factor
- EDB — Entering Dry Bulb (F)
- EWB — Entering Wet Bulb (F)
- EWT — Entering Water Temperature (F)
- KW — Compressor Motor Power Input (kilowatts)
- LDB — Leaving Dry Bulb (F)
- LWB — Leaving Wet Bulb (F)
- SHC — Sensible Capacity (1000 Btu/hr)
- TC — Total Capacity (1000 Btu/hr)



GROSS COOLING CAPACITIES (cont)
50XJA094 WITH (4) 15 HP COMPRESSORS (cont)

| EWT (F) | GPM | BF | AIR ENTERING EVAPORATOR — CFM AT 80 F EDB | | | | | | | | | | | | | | |
|------------|-------|-------|---|-------|-------|-------|-------|--------|-------|-------|-------|-------|--------|-------|-------|-------|-------|
| | | | 20,400 | | | | | 26,000 | | | | | 31,000 | | | | |
| | | | Air Entering Evaporator — Ewb (F) | | | | | | | | | | | | | | |
| | | | 77 | 72 | 67 | 62 | 57 | 77 | 72 | 67 | 62 | 57 | 77 | 72 | 67 | 62 | 57 |
| 0.001 | 0.056 | 0.055 | 0.061 | 0.223 | 0.054 | 0.074 | 0.074 | 0.103 | 0.344 | 0.076 | 0.09 | 0.091 | 0.172 | 0.424 | | | |
| 95 | 150 | TC | 947 | 869 | 796 | 733 | 711 | 977 | 898 | 824 | 767 | 763 | 996 | 917 | 843 | 799 | 798 |
| | | SHC | 353 | 462 | 569 | 672 | 711 | 371 | 507 | 640 | 758 | 763 | 387 | 545 | 699 | 799 | 798 |
| | | LDB | 65.20 | 60.01 | 54.94 | 50.01 | 48.04 | 67.77 | 62.76 | 57.82 | 53.42 | 53.10 | 69.31 | 64.42 | 59.64 | 56.50 | 56.40 |
| | | LWB | 65.19 | 59.74 | 54.37 | 49.00 | 42.92 | 67.68 | 62.30 | 56.98 | 51.55 | 45.39 | 69.14 | 63.81 | 58.51 | 52.99 | 46.95 |
| | 188 | TC | 958 | 878 | 804 | 739 | 716 | 989 | 908 | 833 | 774 | 769 | 1009 | 927 | 851 | 806 | 805 |
| | | SHC | 356 | 466 | 572 | 675 | 716 | 375 | 511 | 644 | 762 | 769 | 391 | 549 | 704 | 806 | 805 |
| | | LDB | 65.03 | 59.85 | 54.78 | 49.87 | 47.82 | 67.64 | 62.63 | 57.68 | 53.28 | 52.90 | 69.19 | 64.31 | 59.51 | 56.30 | 56.19 |
| | | LWB | 65.03 | 59.59 | 54.23 | 48.88 | 42.81 | 67.55 | 62.18 | 56.86 | 51.45 | 45.30 | 69.03 | 63.70 | 58.42 | 52.90 | 46.85 |
| | 225 | TC | 965 | 884 | 809 | 743 | 719 | 997 | 915 | 838 | 778 | 773 | 1017 | 934 | 857 | 810 | 810 |
| | | SHC | 359 | 468 | 574 | 677 | 719 | 378 | 513 | 647 | 765 | 773 | 394 | 552 | 706 | 810 | 810 |
| | | LDB | 64.93 | 59.76 | 54.70 | 49.78 | 47.69 | 67.55 | 62.55 | 57.60 | 53.19 | 52.76 | 69.12 | 64.24 | 59.44 | 56.16 | 56.06 |
| | | LWB | 64.93 | 59.50 | 54.14 | 48.80 | 42.75 | 67.46 | 62.10 | 56.79 | 51.38 | 45.23 | 68.96 | 63.64 | 58.36 | 52.85 | 46.79 |
| 263 | TC | 970 | 888 | 812 | 746 | 721 | 1003 | 920 | 842 | 781 | 775 | 1023 | 939 | 861 | 814 | 813 | |
| | SHC | 361 | 470 | 576 | 679 | 721 | 380 | 515 | 648 | 767 | 775 | 396 | 554 | 708 | 814 | 813 | |
| | LDB | 64.86 | 59.69 | 54.63 | 49.71 | 47.59 | 67.49 | 62.49 | 57.55 | 53.12 | 52.67 | 69.07 | 64.18 | 59.39 | 56.07 | 55.97 | |
| | LWB | 64.86 | 59.43 | 54.08 | 48.74 | 42.69 | 67.40 | 62.04 | 56.74 | 51.34 | 45.19 | 68.91 | 63.59 | 58.31 | 52.81 | 46.75 | |
| 105 | 150 | TC | 908 | 833 | 763 | 703 | 687 | 935 | 860 | 789 | 738 | 736 | 953 | 877 | 807 | 769 | 769 |
| | | SHC | 339 | 448 | 554 | 657 | 687 | 358 | 493 | 626 | 738 | 736 | 373 | 531 | 684 | 769 | 769 |
| | | LDB | 65.77 | 60.60 | 55.56 | 50.67 | 49.12 | 68.22 | 63.23 | 58.30 | 54.13 | 54.04 | 69.69 | 64.82 | 60.08 | 57.37 | 57.27 |
| | | LWB | 65.75 | 60.33 | 54.96 | 49.60 | 43.46 | 68.12 | 62.75 | 57.44 | 51.99 | 45.84 | 69.51 | 64.19 | 58.90 | 53.35 | 47.35 |
| | 188 | TC | 919 | 842 | 771 | 709 | 692 | 948 | 870 | 798 | 744 | 742 | 966 | 888 | 816 | 776 | 776 |
| | | SHC | 343 | 452 | 558 | 660 | 692 | 362 | 497 | 630 | 744 | 742 | 377 | 535 | 689 | 776 | 776 |
| | | LDB | 65.60 | 60.44 | 55.39 | 50.52 | 48.89 | 68.09 | 63.09 | 58.17 | 53.90 | 53.83 | 69.57 | 64.70 | 59.94 | 57.16 | 57.06 |
| | | LWB | 65.59 | 60.17 | 54.83 | 49.47 | 43.35 | 67.99 | 62.63 | 57.33 | 51.90 | 45.74 | 69.40 | 64.08 | 58.81 | 53.26 | 47.26 |
| | 225 | TC | 926 | 848 | 776 | 714 | 696 | 956 | 877 | 803 | 748 | 746 | 974 | 895 | 821 | 781 | 780 |
| | | SHC | 345 | 454 | 560 | 663 | 696 | 364 | 500 | 632 | 748 | 746 | 380 | 538 | 691 | 781 | 780 |
| | | LDB | 65.49 | 60.34 | 55.30 | 50.43 | 48.74 | 68.00 | 63.01 | 58.09 | 53.76 | 53.69 | 69.50 | 64.63 | 59.87 | 57.02 | 56.92 |
| | | LWB | 65.48 | 60.07 | 54.74 | 49.38 | 43.27 | 67.90 | 62.55 | 57.25 | 51.84 | 45.67 | 69.33 | 64.01 | 58.74 | 53.20 | 47.19 |
| 263 | TC | 932 | 853 | 780 | 717 | 698 | 962 | 882 | 808 | 751 | 749 | 981 | 900 | 826 | 784 | 784 | |
| | SHC | 347 | 456 | 562 | 664 | 698 | 366 | 501 | 634 | 751 | 749 | 382 | 540 | 693 | 784 | 784 | |
| | LDB | 65.42 | 60.27 | 55.23 | 50.36 | 48.62 | 67.93 | 62.95 | 58.03 | 53.65 | 53.59 | 69.44 | 64.58 | 59.82 | 56.92 | 56.83 | |
| | LWB | 65.41 | 60.00 | 54.67 | 49.32 | 43.21 | 67.84 | 62.49 | 57.20 | 51.79 | 45.63 | 69.27 | 63.96 | 58.69 | 53.16 | 47.15 | |

LEGEND

- | | |
|--|--|
| BF — Bypass Factor | LDB — Leaving Dry Bulb (F) |
| EDB — Entering Dry Bulb (F) | LWB — Leaving Wet Bulb (F) |
| EWB — Entering Wet Bulb (F) | SHC — Sensible Capacity (1000 Btu/hr) |
| EWT — Entering Water Temperature (F) | TC — Total Capacity (1000 Btu/hr) |
| kW — Compressor Motor Power Input (kilowatts) | |

Performance data (cont)



GROSS COOLING CAPACITIES (cont)

50XJB094 WITH (2) 13 HP COMPRESSORS AND (2) 20 HP COMPRESSORS

| EWT (F) | GPM | BF | AIR ENTERING EVAPORATOR — CFM AT 80 F EDB | | | | | | | | | | | | | | |
|---------|-------|-------|---|-------|-------|-------|-------|--------|-------|-------|-------|-------|--------|-------|-------|-------|-------|
| | | | 20,400 | | | | | 26,000 | | | | | 31,000 | | | | |
| | | | Air Entering Evaporator — Ewb (F) | | | | | | | | | | | | | | |
| | | | 77 | 72 | 67 | 62 | 57 | 77 | 72 | 67 | 62 | 57 | 77 | 72 | 67 | 62 | 57 |
| 0.001 | 0.055 | 0.055 | 0.059 | 0.195 | 0.048 | 0.074 | 0.073 | 0.094 | 0.319 | 0.073 | 0.09 | 0.09 | 0.146 | 0.4 | | | |
| 65 | 165 | TC | 1097 | 1005 | 919 | 842 | 798 | 1141 | 1047 | 960 | 885 | 862 | 1168 | 1073 | 984 | 914 | 907 |
| | | SHC | 405 | 515 | 622 | 727 | 798 | 426 | 562 | 696 | 824 | 862 | 443 | 602 | 759 | 896 | 907 |
| | | LDB | 63.00 | 57.73 | 52.62 | 47.60 | 44.12 | 65.96 | 60.90 | 55.91 | 51.15 | 49.59 | 67.77 | 62.83 | 57.96 | 53.66 | 53.19 |
| | | LWB | 63.00 | 57.52 | 52.12 | 46.77 | 40.93 | 65.92 | 60.50 | 55.13 | 49.75 | 43.69 | 67.64 | 62.27 | 56.96 | 51.56 | 45.43 |
| | kW | 47.40 | 46.09 | 45.05 | 44.19 | 43.78 | 47.96 | 46.69 | 45.70 | 44.72 | 44.47 | 48.41 | 47.05 | 45.91 | 45.05 | 45.01 | |
| | 206 | TC | 1104 | 1010 | 923 | 846 | 801 | 1148 | 1053 | 964 | 889 | 866 | 1177 | 1080 | 989 | 919 | 910 |
| | | SHC | 407 | 517 | 624 | 729 | 801 | 429 | 565 | 699 | 826 | 866 | 446 | 605 | 761 | 898 | 910 |
| | | LDB | 62.90 | 57.63 | 52.54 | 47.53 | 44.01 | 65.89 | 60.82 | 55.84 | 51.09 | 49.48 | 67.69 | 62.76 | 57.89 | 53.58 | 53.08 |
| | | LWB | 62.90 | 57.42 | 52.04 | 46.70 | 40.87 | 65.83 | 60.42 | 55.07 | 49.69 | 43.63 | 67.57 | 62.20 | 56.90 | 51.50 | 45.38 |
| | kW | 45.97 | 44.79 | 43.82 | 43.00 | 42.57 | 46.65 | 45.35 | 44.31 | 43.50 | 43.23 | 47.13 | 45.73 | 44.62 | 43.83 | 43.74 | |
| | 248 | TC | 1109 | 1014 | 926 | 848 | 802 | 1153 | 1057 | 968 | 892 | 868 | 1182 | 1085 | 993 | 921 | 913 |
| | | SHC | 409 | 519 | 625 | 730 | 802 | 430 | 566 | 700 | 827 | 868 | 448 | 607 | 763 | 900 | 913 |
| LDB | | 62.83 | 57.57 | 52.48 | 47.48 | 43.95 | 65.82 | 60.77 | 55.79 | 51.05 | 49.41 | 67.64 | 62.71 | 57.84 | 53.54 | 53.00 | |
| LWB | | 62.83 | 57.36 | 51.98 | 46.65 | 40.84 | 65.78 | 60.37 | 55.02 | 49.65 | 43.60 | 67.52 | 62.15 | 56.85 | 51.46 | 45.34 | |
| kW | 45.07 | 43.92 | 42.96 | 42.19 | 41.78 | 45.71 | 44.47 | 43.43 | 42.66 | 42.40 | 46.14 | 44.85 | 43.75 | 42.97 | 42.88 | | |
| 289 | TC | 1112 | 1016 | 928 | 850 | 803 | 1157 | 1060 | 970 | 894 | 869 | 1186 | 1088 | 996 | 923 | 915 | |
| | SHC | 410 | 520 | 626 | 730 | 803 | 432 | 568 | 701 | 828 | 869 | 449 | 608 | 764 | 901 | 915 | |
| | LDB | 62.78 | 57.53 | 52.43 | 47.45 | 43.90 | 65.78 | 60.74 | 55.75 | 51.01 | 49.35 | 67.61 | 62.68 | 57.81 | 53.50 | 52.96 | |
| | LWB | 62.78 | 57.32 | 51.94 | 46.62 | 40.81 | 65.74 | 60.33 | 54.99 | 49.63 | 43.57 | 67.48 | 62.12 | 56.82 | 51.44 | 45.32 | |
| kW | 44.47 | 43.32 | 42.39 | 41.65 | 41.24 | 45.10 | 43.85 | 42.84 | 42.10 | 41.85 | 45.52 | 44.24 | 43.16 | 42.39 | 42.31 | | |
| 75 | 165 | TC | 1067 | 977 | 894 | 820 | 781 | 1108 | 1017 | 933 | 861 | 843 | 1133 | 1041 | 955 | 889 | 884 |
| | | SHC | 394 | 504 | 611 | 716 | 781 | 415 | 551 | 685 | 811 | 843 | 432 | 591 | 747 | 880 | 884 |
| | | LDB | 63.45 | 58.20 | 53.10 | 48.09 | 44.90 | 66.33 | 61.28 | 56.29 | 51.59 | 50.28 | 68.08 | 63.16 | 58.30 | 54.11 | 53.85 |
| | | LWB | 63.45 | 57.98 | 52.59 | 47.23 | 41.33 | 66.27 | 60.86 | 55.51 | 50.13 | 44.03 | 67.95 | 62.59 | 57.28 | 51.87 | 45.75 |
| | kW | 51.82 | 50.63 | 49.60 | 48.90 | 48.58 | 52.44 | 51.22 | 50.16 | 49.34 | 49.17 | 52.82 | 51.55 | 50.43 | 49.61 | 49.57 | |
| | 206 | TC | 1074 | 983 | 899 | 824 | 784 | 1117 | 1024 | 938 | 866 | 847 | 1143 | 1049 | 961 | 894 | 889 |
| | | SHC | 397 | 507 | 613 | 718 | 784 | 418 | 554 | 688 | 813 | 847 | 435 | 593 | 749 | 883 | 889 |
| | | LDB | 63.34 | 58.10 | 53.01 | 48.00 | 44.77 | 66.23 | 61.19 | 56.21 | 51.51 | 50.15 | 68.00 | 63.08 | 58.22 | 54.02 | 53.72 |
| | | LWB | 63.34 | 57.88 | 52.50 | 47.15 | 41.26 | 66.18 | 60.77 | 55.43 | 50.06 | 43.96 | 67.87 | 62.51 | 57.21 | 51.81 | 45.68 |
| | kW | 50.11 | 49.04 | 48.13 | 47.39 | 47.09 | 50.70 | 49.56 | 48.61 | 47.85 | 47.65 | 51.07 | 49.87 | 48.86 | 48.14 | 48.08 | |
| | 248 | TC | 1079 | 987 | 902 | 827 | 786 | 1123 | 1029 | 942 | 869 | 849 | 1149 | 1054 | 965 | 897 | 892 |
| | | SHC | 398 | 508 | 615 | 719 | 786 | 420 | 556 | 689 | 815 | 849 | 437 | 595 | 751 | 885 | 892 |
| LDB | | 63.26 | 58.03 | 52.94 | 47.95 | 44.68 | 66.17 | 61.13 | 56.16 | 51.45 | 50.07 | 67.94 | 63.03 | 58.17 | 53.96 | 53.63 | |
| LWB | | 63.26 | 57.81 | 52.43 | 47.10 | 41.22 | 66.11 | 60.71 | 55.38 | 50.01 | 43.92 | 67.81 | 62.46 | 57.17 | 51.76 | 45.64 | |
| kW | 49.02 | 47.97 | 47.11 | 46.44 | 46.16 | 49.56 | 48.47 | 47.55 | 46.86 | 46.67 | 49.91 | 48.78 | 47.80 | 47.12 | 47.07 | | |
| 289 | TC | 1083 | 990 | 904 | 828 | 787 | 1126 | 1032 | 944 | 871 | 851 | 1153 | 1057 | 968 | 900 | 894 | |
| | SHC | 400 | 509 | 616 | 720 | 787 | 421 | 557 | 690 | 816 | 851 | 438 | 597 | 752 | 887 | 894 | |
| | LDB | 63.21 | 57.98 | 52.90 | 47.91 | 44.62 | 66.13 | 61.09 | 56.12 | 51.41 | 50.01 | 67.90 | 62.99 | 58.14 | 53.92 | 53.57 | |
| | LWB | 63.21 | 57.76 | 52.39 | 47.06 | 41.18 | 66.07 | 60.68 | 55.35 | 49.98 | 43.89 | 67.77 | 62.43 | 57.13 | 51.74 | 45.62 | |
| kW | 48.23 | 47.24 | 46.43 | 45.79 | 45.51 | 48.78 | 47.71 | 46.84 | 46.20 | 46.02 | 49.14 | 48.01 | 47.08 | 46.44 | 46.38 | | |
| 85 | 165 | TC | 1033 | 946 | 866 | 795 | 761 | 1073 | 984 | 902 | 833 | 820 | 1095 | 1006 | 922 | 862 | 860 |
| | | SHC | 382 | 492 | 599 | 703 | 761 | 403 | 539 | 672 | 796 | 820 | 419 | 578 | 733 | 862 | 860 |
| | | LDB | 63.94 | 58.72 | 53.63 | 48.64 | 45.82 | 66.73 | 61.70 | 56.73 | 52.09 | 51.08 | 68.42 | 63.52 | 58.68 | 54.64 | 54.57 |
| | | LWB | 63.94 | 58.49 | 53.10 | 47.74 | 41.80 | 66.66 | 61.27 | 55.93 | 50.55 | 44.42 | 68.28 | 62.94 | 57.64 | 52.21 | 46.09 |
| | kW | 57.41 | 56.30 | 55.37 | 54.67 | 54.30 | 57.98 | 56.82 | 55.84 | 55.07 | 54.95 | 58.29 | 57.10 | 56.09 | 55.41 | 55.38 | |
| | 206 | TC | 1042 | 953 | 872 | 800 | 764 | 1082 | 992 | 908 | 838 | 824 | 1105 | 1014 | 929 | 867 | 865 |
| | | SHC | 385 | 495 | 601 | 705 | 764 | 406 | 542 | 675 | 799 | 824 | 422 | 581 | 737 | 867 | 865 |
| | | LDB | 63.82 | 58.61 | 53.52 | 48.54 | 45.67 | 66.62 | 61.60 | 56.63 | 52.00 | 50.93 | 68.34 | 63.43 | 58.59 | 54.50 | 54.43 |
| | | LWB | 63.82 | 58.37 | 53.00 | 47.66 | 41.72 | 66.56 | 61.17 | 55.85 | 50.48 | 44.35 | 68.20 | 62.86 | 57.56 | 52.14 | 46.02 |
| | kW | 55.28 | 54.35 | 53.55 | 52.93 | 52.64 | 55.81 | 54.79 | 53.95 | 53.28 | 53.18 | 56.08 | 55.03 | 54.16 | 53.56 | 53.54 | |
| | 248 | TC | 1047 | 958 | 875 | 802 | 766 | 1088 | 997 | 912 | 842 | 827 | 1112 | 1020 | 934 | 870 | 868 |
| | | SHC | 387 | 497 | 603 | 707 | 766 | 408 | 544 | 677 | 801 | 827 | 424 | 583 | 738 | 870 | 868 |
| LDB | | 63.74 | 58.53 | 53.45 | 48.48 | 45.57 | 66.55 | 61.53 | 56.57 | 51.93 | 50.83 | 68.28 | 63.38 | 58.54 | 54.40 | 54.33 | |
| LWB | | 63.74 | 58.30 | 52.93 | 47.60 | 41.67 | 66.49 | 61.11 | 55.79 | 50.42 | 44.30 | 68.14 | 62.80 | 57.51 | 52.10 | 45.98 | |
| kW | 53.91 | 53.00 | 52.31 | 51.78 | 51.55 | 54.46 | 53.43 | 52.66 | 52.09 | 52.00 | 54.74 | 53.64 | 52.84 | 52.31 | 52.29 | | |
| 289 | TC | 1051 | 961 | 878 | 804 | 768 | 1092 | 1001 | 915 | 844 | 829 | 1116 | 1023 | 937 | 872 | 870 | |
| | SHC | 388 | 498 | 604 | 708 | 768 | 410 | 545 | 678 | 802 | 829 | 426 | 584 | 740 | 872 | 870 | |
| | LDB | 63.69 | 58.48 | 53.41 | 48.44 | 45.50 | 66.51 | 61.49 | 56.53 | 51.89 | 50.76 | 68.23 | 63.33 | 58.50 | 54.34 | 54.27 | |
| | LWB | 63.69 | 58.25 | 52.89 | 47.55 | 41.64 | 66.44 | 61.06 | 55.75 | 50.39 | 44.26 | 68.10 | 62.76 | 57.48 | 52.08 | 45.95 | |
| kW | 53.00 | 52.08 | 51.48 | 50.99 | 50.77 | 53.51 | 52.54 | 51.78 | 51.27 | 51.19 | 53.80 | 52.77 | 51.94 | 51.48 | 51.46 | | |

LEGEND

- | | |
|---|---------------------------------------|
| BF — Bypass Factor | LDB — Leaving Dry Bulb (F) |
| EDB — Entering Dry Bulb (F) | LWB — Leaving Wet Bulb (F) |
| EWB — Entering Wet Bulb (F) | SHC — Sensible Capacity (1000 Btu/hr) |
| EWT — Entering Water Temperature (F) | TC — Total Capacity (1000 Btu/hr) |
| kW — Compressor Motor Power Input (kilowatts) | |



GROSS COOLING CAPACITIES (cont)

50XJB094 WITH (2) 13 HP COMPRESSORS AND (2) 20 HP COMPRESSORS (cont)

| EWT (F) | GPM | BF | AIR ENTERING EVAPORATOR — CFM AT 80 F EDB | | | | | | | | | | | | | | |
|---------|-------|-------|---|-------|-------|-------|-------|--------|-------|-------|-------|-------|--------|-------|-------|-------|-------|
| | | | 20,400 | | | | | 26,000 | | | | | 31,000 | | | | |
| | | | Air Entering Evaporator — Ewb (F) | | | | | | | | | | | | | | |
| | | | 77 | 72 | 67 | 62 | 57 | 77 | 72 | 67 | 62 | 57 | 77 | 72 | 67 | 62 | 57 |
| 0.001 | 0.055 | 0.055 | 0.059 | 0.195 | 0.048 | 0.074 | 0.073 | 0.094 | 0.319 | 0.073 | 0.09 | 0.09 | 0.146 | 0.4 | | | |
| 95 | 165 | TC | 997 | 913 | 836 | 768 | 738 | 1032 | 947 | 868 | 803 | 795 | 1053 | 967 | 888 | 834 | 834 |
| | | SHC | 370 | 479 | 585 | 690 | 738 | 390 | 525 | 658 | 780 | 795 | 406 | 564 | 719 | 834 | 834 |
| | | LDB | 64.47 | 59.28 | 54.21 | 49.24 | 46.83 | 67.17 | 62.15 | 57.21 | 52.66 | 51.98 | 68.80 | 63.90 | 59.09 | 55.45 | 55.35 |
| | | LWB | 64.47 | 59.03 | 53.66 | 48.30 | 42.31 | 67.09 | 61.71 | 56.39 | 51.01 | 44.86 | 68.65 | 63.31 | 58.02 | 52.55 | 46.46 |
| | 206 | TC | 1006 | 920 | 842 | 772 | 742 | 1042 | 956 | 875 | 809 | 799 | 1064 | 976 | 895 | 840 | 839 |
| | | SHC | 373 | 482 | 588 | 692 | 742 | 393 | 528 | 661 | 783 | 799 | 409 | 567 | 722 | 840 | 839 |
| | | LDB | 64.35 | 59.16 | 54.09 | 49.14 | 46.67 | 67.06 | 62.05 | 57.10 | 52.55 | 51.82 | 68.70 | 63.81 | 58.99 | 55.30 | 55.20 |
| | | LWB | 64.35 | 58.91 | 53.55 | 48.21 | 42.23 | 66.98 | 61.61 | 56.30 | 50.92 | 44.78 | 68.56 | 63.23 | 57.94 | 52.48 | 46.39 |
| | 248 | TC | 1011 | 925 | 846 | 776 | 744 | 1049 | 961 | 879 | 813 | 802 | 1071 | 982 | 900 | 843 | 842 |
| | | SHC | 375 | 484 | 590 | 694 | 744 | 395 | 530 | 663 | 785 | 802 | 411 | 569 | 724 | 843 | 842 |
| | | LDB | 64.26 | 59.09 | 54.02 | 49.07 | 46.56 | 66.99 | 61.98 | 57.03 | 52.48 | 51.71 | 68.64 | 63.75 | 58.94 | 55.20 | 55.10 |
| | | LWB | 64.26 | 58.84 | 53.48 | 48.14 | 42.17 | 66.91 | 61.55 | 56.24 | 50.87 | 44.72 | 68.50 | 63.17 | 57.89 | 52.44 | 46.34 |
| 289 | TC | 1015 | 928 | 848 | 778 | 746 | 1053 | 965 | 882 | 815 | 804 | 1076 | 986 | 903 | 846 | 844 | |
| | SHC | 376 | 485 | 591 | 695 | 746 | 397 | 532 | 665 | 787 | 804 | 413 | 571 | 726 | 846 | 844 | |
| | LDB | 64.21 | 59.03 | 53.97 | 49.02 | 46.48 | 66.94 | 61.93 | 56.99 | 52.43 | 51.64 | 68.60 | 63.71 | 58.90 | 55.12 | 55.03 | |
| | LWB | 64.21 | 58.78 | 53.43 | 48.10 | 42.14 | 66.86 | 61.50 | 56.20 | 50.83 | 44.69 | 68.45 | 63.13 | 57.85 | 52.41 | 46.31 | |
| 105 | 165 | TC | 958 | 877 | 802 | 737 | 715 | 990 | 908 | 832 | 772 | 768 | 1009 | 927 | 851 | 805 | 804 |
| | | SHC | 356 | 465 | 571 | 674 | 715 | 376 | 511 | 643 | 761 | 768 | 391 | 549 | 703 | 805 | 804 |
| | | LDB | 65.03 | 59.87 | 54.83 | 49.91 | 47.89 | 67.63 | 62.64 | 57.72 | 53.30 | 52.94 | 69.19 | 64.31 | 59.54 | 56.33 | 56.22 |
| | | LWB | 65.03 | 59.61 | 54.26 | 48.91 | 42.85 | 67.55 | 62.18 | 56.87 | 51.47 | 45.32 | 69.03 | 63.70 | 58.42 | 52.91 | 46.87 |
| | 206 | TC | 967 | 885 | 809 | 742 | 718 | 1000 | 916 | 839 | 778 | 772 | 1020 | 936 | 858 | 810 | 810 |
| | | SHC | 359 | 468 | 574 | 677 | 718 | 379 | 514 | 647 | 765 | 772 | 395 | 553 | 707 | 810 | 810 |
| | | LDB | 64.91 | 59.74 | 54.69 | 49.79 | 47.72 | 67.52 | 62.53 | 57.60 | 53.18 | 52.77 | 69.09 | 64.22 | 59.42 | 56.16 | 56.06 |
| | | LWB | 64.91 | 59.48 | 54.14 | 48.81 | 42.76 | 67.44 | 62.08 | 56.78 | 51.39 | 45.23 | 68.93 | 63.62 | 58.35 | 52.84 | 46.79 |
| | 248 | TC | 973 | 890 | 813 | 746 | 721 | 1007 | 922 | 843 | 782 | 775 | 1027 | 942 | 863 | 814 | 813 |
| | | SHC | 361 | 470 | 576 | 679 | 721 | 381 | 516 | 649 | 767 | 775 | 397 | 555 | 709 | 814 | 813 |
| | | LDB | 64.82 | 59.66 | 54.62 | 49.71 | 47.61 | 67.45 | 62.46 | 57.53 | 53.10 | 52.66 | 69.03 | 64.16 | 59.37 | 56.05 | 55.95 |
| | | LWB | 64.82 | 59.40 | 54.06 | 48.74 | 42.70 | 67.37 | 62.01 | 56.72 | 51.33 | 45.18 | 68.87 | 63.56 | 58.29 | 52.80 | 46.74 |
| 289 | TC | 977 | 894 | 816 | 748 | 723 | 1011 | 926 | 847 | 784 | 778 | 1032 | 946 | 867 | 817 | 816 | |
| | SHC | 363 | 472 | 577 | 680 | 723 | 383 | 517 | 650 | 769 | 778 | 399 | 556 | 710 | 817 | 816 | |
| | LDB | 64.76 | 59.60 | 54.56 | 49.66 | 47.52 | 67.40 | 62.41 | 57.49 | 53.05 | 52.58 | 68.98 | 64.12 | 59.33 | 55.97 | 55.87 | |
| | LWB | 64.76 | 59.35 | 54.01 | 48.69 | 42.66 | 67.31 | 61.96 | 56.67 | 51.29 | 45.14 | 68.83 | 63.52 | 58.25 | 52.76 | 46.70 | |
| 289 | TC | 977 | 894 | 816 | 748 | 723 | 1011 | 926 | 847 | 784 | 778 | 1032 | 946 | 867 | 817 | 816 | |
| | SHC | 363 | 472 | 577 | 680 | 723 | 383 | 517 | 650 | 769 | 778 | 399 | 556 | 710 | 817 | 816 | |
| | LDB | 64.76 | 59.60 | 54.56 | 49.66 | 47.52 | 67.40 | 62.41 | 57.49 | 53.05 | 52.58 | 68.98 | 64.12 | 59.33 | 55.97 | 55.87 | |
| | LWB | 64.76 | 59.35 | 54.01 | 48.69 | 42.66 | 67.31 | 61.96 | 56.67 | 51.29 | 45.14 | 68.83 | 63.52 | 58.25 | 52.76 | 46.70 | |
| 289 | TC | 977 | 894 | 816 | 748 | 723 | 1011 | 926 | 847 | 784 | 778 | 1032 | 946 | 867 | 817 | 816 | |
| | SHC | 363 | 472 | 577 | 680 | 723 | 383 | 517 | 650 | 769 | 778 | 399 | 556 | 710 | 817 | 816 | |
| | LDB | 64.76 | 59.60 | 54.56 | 49.66 | 47.52 | 67.40 | 62.41 | 57.49 | 53.05 | 52.58 | 68.98 | 64.12 | 59.33 | 55.97 | 55.87 | |
| | LWB | 64.76 | 59.35 | 54.01 | 48.69 | 42.66 | 67.31 | 61.96 | 56.67 | 51.29 | 45.14 | 68.83 | 63.52 | 58.25 | 52.76 | 46.70 | |
| 289 | TC | 977 | 894 | 816 | 748 | 723 | 1011 | 926 | 847 | 784 | 778 | 1032 | 946 | 867 | 817 | 816 | |
| | SHC | 363 | 472 | 577 | 680 | 723 | 383 | 517 | 650 | 769 | 778 | 399 | 556 | 710 | 817 | 816 | |
| | LDB | 64.76 | 59.60 | 54.56 | 49.66 | 47.52 | 67.40 | 62.41 | 57.49 | 53.05 | 52.58 | 68.98 | 64.12 | 59.33 | 55.97 | 55.87 | |
| | LWB | 64.76 | 59.35 | 54.01 | 48.69 | 42.66 | 67.31 | 61.96 | 56.67 | 51.29 | 45.14 | 68.83 | 63.52 | 58.25 | 52.76 | 46.70 | |

LEGEND

- BF** — Bypass Factor
- EDB** — Entering Dry Bulb (F)
- EWB** — Entering Wet Bulb (F)
- EWT** — Entering Water Temperature (F)
- kW** — Compressor Motor Power Input (kilowatts)
- LDB** — Leaving Dry Bulb (F)
- LWB** — Leaving Wet Bulb (F)
- SHC** — Sensible Capacity (1000 Btu/hr)
- TC** — Total Capacity (1000 Btu/hr)

Performance data (cont)



COOLING CAPACITIES (cont)

50XJC094 WITH (2) 15 HP COMPRESSORS AND (2) 20 HP COMPRESSORS

| EWT (F) | GPM | BF | AIR ENTERING EVAPORATOR — CFM AT 80 F EDB | | | | | | | | | | | | | | |
|---------|-------|-------|---|-------|-------|-------|-------|--------|-------|-------|-------|-------|--------|-------|-------|-------|-------|
| | | | 20,400 | | | | | 26,000 | | | | | 31,000 | | | | |
| | | | Air Entering Evaporator — Ewb (F) | | | | | | | | | | | | | | |
| | | | 77 | 72 | 67 | 62 | 57 | 77 | 72 | 67 | 62 | 57 | 77 | 72 | 67 | 62 | 57 |
| 0.001 | 0.054 | 0.054 | 0.056 | 0.158 | 0.039 | 0.073 | 0.072 | 0.086 | 0.285 | 0.067 | 0.089 | 0.088 | 0.126 | 0.369 | | | |
| 65 | 175 | TC | 1162 | 1064 | 973 | 891 | 834 | 1210 | 1110 | 1017 | 936 | 904 | 1241 | 1140 | 1045 | 968 | 953 |
| | | SHC | 428 | 539 | 646 | 751 | 834 | 450 | 587 | 721 | 850 | 904 | 467 | 627 | 784 | 928 | 953 |
| | | LDB | 62.02 | 56.70 | 51.56 | 46.54 | 42.50 | 65.17 | 60.09 | 55.07 | 50.24 | 48.11 | 67.09 | 62.14 | 57.23 | 52.73 | 51.82 |
| | | LWB | 62.02 | 56.51 | 51.10 | 45.75 | 40.09 | 65.15 | 59.70 | 54.33 | 48.96 | 42.95 | 66.99 | 61.60 | 56.26 | 50.87 | 44.77 |
| | 219 | TC | 1169 | 1070 | 978 | 895 | 837 | 1219 | 1117 | 1023 | 941 | 908 | 1250 | 1148 | 1052 | 973 | 957 |
| | | SHC | 430 | 541 | 649 | 753 | 837 | 453 | 590 | 724 | 853 | 908 | 470 | 630 | 787 | 931 | 957 |
| | | LDB | 61.91 | 56.60 | 51.46 | 46.46 | 42.38 | 65.07 | 60.00 | 54.99 | 50.16 | 47.99 | 67.01 | 62.05 | 57.15 | 52.65 | 51.70 |
| | | LWB | 61.91 | 56.41 | 51.01 | 45.67 | 40.02 | 65.05 | 59.62 | 54.25 | 48.89 | 42.89 | 66.91 | 61.52 | 56.19 | 50.80 | 44.71 |
| | 263 | TC | 1174 | 1074 | 981 | 897 | 839 | 1224 | 1122 | 1026 | 944 | 910 | 1256 | 1152 | 1056 | 977 | 959 |
| | | SHC | 432 | 543 | 650 | 754 | 839 | 455 | 591 | 725 | 854 | 910 | 472 | 632 | 789 | 932 | 959 |
| | | LDB | 61.84 | 56.53 | 51.40 | 46.40 | 42.31 | 65.01 | 59.94 | 54.94 | 50.11 | 47.91 | 66.95 | 62.00 | 57.10 | 52.60 | 51.63 |
| | | LWB | 61.84 | 56.34 | 50.95 | 45.62 | 39.98 | 64.99 | 59.56 | 54.20 | 48.85 | 42.85 | 66.85 | 61.47 | 56.15 | 50.76 | 44.68 |
| 306 | TC | 1177 | 1076 | 983 | 899 | 840 | 1228 | 1125 | 1029 | 945 | 912 | 1260 | 1156 | 1058 | 979 | 961 | |
| | SHC | 433 | 544 | 651 | 755 | 840 | 456 | 592 | 726 | 855 | 912 | 474 | 633 | 790 | 934 | 961 | |
| | LDB | 61.79 | 56.49 | 51.36 | 46.36 | 42.26 | 64.97 | 59.90 | 54.90 | 50.09 | 47.86 | 66.92 | 61.97 | 57.08 | 52.56 | 51.58 | |
| | LWB | 61.79 | 56.30 | 50.91 | 45.58 | 39.96 | 64.95 | 59.52 | 54.17 | 48.82 | 42.83 | 66.82 | 61.44 | 56.12 | 50.74 | 44.66 | |
| 75 | 175 | TC | 1130 | 1034 | 946 | 867 | 817 | 1176 | 1079 | 989 | 911 | 884 | 1205 | 1107 | 1015 | 941 | 930 |
| | | SHC | 416 | 527 | 635 | 739 | 817 | 438 | 575 | 709 | 837 | 884 | 455 | 615 | 772 | 913 | 930 |
| | | LDB | 62.51 | 57.21 | 52.07 | 47.06 | 43.31 | 65.56 | 60.49 | 55.48 | 50.68 | 48.85 | 67.42 | 62.47 | 57.58 | 53.16 | 52.49 |
| | | LWB | 62.51 | 57.02 | 51.61 | 46.26 | 40.51 | 65.53 | 60.10 | 54.73 | 49.36 | 43.32 | 67.31 | 61.93 | 56.60 | 51.21 | 45.10 |
| | 219 | TC | 1138 | 1041 | 952 | 871 | 820 | 1185 | 1087 | 995 | 916 | 887 | 1215 | 1116 | 1022 | 947 | 935 |
| | | SHC | 419 | 530 | 637 | 741 | 820 | 442 | 578 | 712 | 840 | 887 | 459 | 618 | 775 | 916 | 935 |
| | | LDB | 62.38 | 57.10 | 51.97 | 46.97 | 43.17 | 65.46 | 60.39 | 55.39 | 50.60 | 48.71 | 67.33 | 62.39 | 57.50 | 53.07 | 52.35 |
| | | LWB | 62.38 | 56.90 | 51.50 | 46.17 | 40.44 | 65.42 | 60.00 | 54.64 | 49.28 | 43.25 | 67.22 | 61.84 | 56.52 | 51.14 | 45.03 |
| | 263 | TC | 1144 | 1046 | 955 | 874 | 822 | 1191 | 1092 | 999 | 919 | 890 | 1222 | 1121 | 1027 | 950 | 938 |
| | | SHC | 421 | 532 | 639 | 743 | 822 | 444 | 580 | 713 | 842 | 890 | 461 | 620 | 777 | 918 | 938 |
| | | LDB | 62.30 | 57.02 | 51.90 | 46.91 | 43.08 | 65.39 | 60.33 | 55.33 | 50.54 | 48.62 | 67.27 | 62.33 | 57.44 | 53.02 | 52.26 |
| | | LWB | 62.30 | 56.82 | 51.44 | 46.11 | 40.39 | 65.36 | 59.94 | 54.59 | 49.23 | 43.21 | 67.16 | 61.79 | 56.47 | 51.10 | 44.98 |
| 306 | TC | 1147 | 1049 | 958 | 876 | 823 | 1195 | 1095 | 1002 | 921 | 892 | 1226 | 1125 | 1030 | 953 | 940 | |
| | SHC | 422 | 533 | 640 | 744 | 823 | 445 | 581 | 715 | 843 | 892 | 462 | 621 | 778 | 919 | 940 | |
| | LDB | 62.24 | 56.97 | 51.85 | 46.86 | 43.02 | 65.34 | 60.28 | 55.29 | 50.50 | 48.56 | 67.23 | 62.30 | 57.41 | 52.97 | 52.20 | |
| | LWB | 62.24 | 56.77 | 51.39 | 46.07 | 40.36 | 65.31 | 59.89 | 54.55 | 49.19 | 43.18 | 67.12 | 61.75 | 56.44 | 51.07 | 44.95 | |
| 85 | 175 | TC | 1094 | 1002 | 916 | 840 | 796 | 1138 | 1044 | 957 | 883 | 860 | 1165 | 1070 | 981 | 911 | 904 |
| | | SHC | 403 | 514 | 621 | 726 | 796 | 425 | 562 | 695 | 823 | 860 | 442 | 601 | 758 | 895 | 904 |
| | | LDB | 63.05 | 57.78 | 52.67 | 47.65 | 44.22 | 65.99 | 60.94 | 55.95 | 51.18 | 49.66 | 67.79 | 62.86 | 57.99 | 53.68 | 53.27 |
| | | LWB | 63.05 | 57.57 | 52.17 | 46.82 | 40.98 | 65.95 | 60.53 | 55.17 | 49.80 | 43.72 | 67.67 | 62.30 | 56.99 | 51.60 | 45.47 |
| | 219 | TC | 1103 | 1009 | 922 | 845 | 800 | 1148 | 1053 | 964 | 888 | 865 | 1176 | 1079 | 989 | 917 | 909 |
| | | SHC | 407 | 517 | 624 | 728 | 800 | 429 | 565 | 699 | 826 | 865 | 446 | 605 | 761 | 899 | 909 |
| | | LDB | 62.91 | 57.65 | 52.55 | 47.54 | 44.07 | 65.88 | 60.83 | 55.84 | 51.08 | 49.51 | 67.69 | 62.77 | 57.89 | 53.57 | 53.11 |
| | | LWB | 62.91 | 57.44 | 52.05 | 46.72 | 40.90 | 65.84 | 60.42 | 55.08 | 49.71 | 43.65 | 67.57 | 62.21 | 56.90 | 51.52 | 45.39 |
| | 263 | TC | 1109 | 1014 | 926 | 848 | 802 | 1154 | 1058 | 968 | 892 | 868 | 1183 | 1085 | 993 | 921 | 913 |
| | | SHC | 409 | 519 | 625 | 730 | 802 | 431 | 567 | 700 | 828 | 868 | 448 | 607 | 763 | 901 | 913 |
| | | LDB | 62.83 | 57.57 | 52.48 | 47.47 | 43.97 | 65.81 | 60.76 | 55.78 | 51.02 | 49.41 | 67.62 | 62.70 | 57.83 | 53.50 | 53.01 |
| | | LWB | 62.83 | 57.36 | 51.98 | 46.66 | 40.85 | 65.76 | 60.36 | 55.02 | 49.65 | 43.60 | 67.51 | 62.15 | 56.85 | 51.47 | 45.35 |
| 306 | TC | 1113 | 1017 | 929 | 850 | 803 | 1159 | 1062 | 971 | 894 | 870 | 1188 | 1089 | 997 | 924 | 915 | |
| | SHC | 410 | 520 | 627 | 731 | 803 | 433 | 568 | 702 | 829 | 870 | 450 | 608 | 764 | 903 | 915 | |
| | LDB | 62.76 | 57.51 | 52.42 | 47.43 | 43.90 | 65.75 | 60.71 | 55.73 | 50.98 | 49.34 | 67.58 | 62.66 | 57.79 | 53.46 | 52.94 | |
| | LWB | 62.76 | 57.31 | 51.93 | 46.61 | 40.81 | 65.72 | 60.31 | 54.97 | 49.62 | 43.56 | 67.46 | 62.11 | 56.81 | 51.43 | 45.31 | |

LEGEND

- BF — Bypass Factor
- EDB — Entering Dry Bulb (F)
- EWB — Entering Wet Bulb (F)
- EWT — Entering Water Temperature (F)
- kW — Compressor Motor Power Input (kilowatts)
- LDB — Leaving Dry Bulb (F)
- LWB — Leaving Wet Bulb (F)
- SHC — Sensible Capacity (1000 Btu/hr)
- TC — Total Capacity (1000 Btu/hr)



COOLING CAPACITIES (cont)

50XJC094 WITH (2) 15 HP COMPRESSORS AND (2) 20 HP COMPRESSORS

| EWT (F) | GPM | BF | AIR ENTERING EVAPORATOR — CFM AT 80 F EDB | | | | | | | | | | | | | | |
|---------|-------|-------|---|-------|-------|-------|-------|--------|-------|-------|-------|-------|--------|-------|-------|-------|-------|
| | | | 20,400 | | | | | 26,000 | | | | | 31,000 | | | | |
| | | | Air Entering Evaporator — Ewb (F) | | | | | | | | | | | | | | |
| | | | 77 | 72 | 67 | 62 | 57 | 77 | 72 | 67 | 62 | 57 | 77 | 72 | 67 | 62 | 57 |
| 0.001 | 0.054 | 0.054 | 0.056 | 0.158 | 0.039 | 0.073 | 0.072 | 0.086 | 0.285 | 0.067 | 0.089 | 0.088 | 0.126 | 0.369 | | | |
| 95 | 175 | TC | 1055 | 966 | 884 | 811 | 773 | 1097 | 1006 | 922 | 850 | 835 | 1120 | 1029 | 944 | 878 | 876 |
| | | SHC | 390 | 500 | 607 | 711 | 773 | 411 | 547 | 681 | 806 | 835 | 428 | 586 | 742 | 878 | 876 |
| | | LDB | 63.62 | 58.38 | 53.30 | 48.29 | 45.26 | 66.45 | 61.42 | 56.45 | 51.76 | 50.57 | 68.19 | 63.28 | 58.43 | 54.16 | 54.10 |
| | 219 | LWB | 63.62 | 58.16 | 52.77 | 47.42 | 41.52 | 66.40 | 60.99 | 55.65 | 50.29 | 44.17 | 68.06 | 62.71 | 57.40 | 52.00 | 45.87 |
| | | KW | 70.62 | 69.29 | 68.17 | 67.26 | 66.80 | 71.32 | 69.96 | 68.78 | 67.78 | 67.65 | 71.68 | 70.29 | 69.08 | 68.19 | 68.15 |
| | | TC | 1065 | 974 | 891 | 816 | 777 | 1107 | 1015 | 929 | 857 | 840 | 1132 | 1039 | 951 | 884 | 881 |
| | 263 | SHC | 393 | 503 | 610 | 714 | 777 | 415 | 551 | 684 | 809 | 840 | 431 | 590 | 746 | 884 | 881 |
| | | LDB | 63.48 | 58.25 | 53.16 | 48.17 | 45.08 | 66.34 | 61.30 | 56.33 | 51.64 | 50.40 | 68.09 | 63.17 | 58.32 | 53.99 | 53.94 |
| | | LWB | 63.48 | 58.03 | 52.65 | 47.32 | 41.42 | 66.28 | 60.88 | 55.55 | 50.20 | 44.08 | 67.96 | 62.61 | 57.32 | 51.93 | 45.79 |
| | 306 | KW | 67.97 | 66.89 | 65.94 | 65.15 | 64.78 | 68.59 | 67.45 | 66.45 | 65.62 | 65.47 | 68.93 | 67.71 | 66.69 | 65.94 | 65.89 |
| | | TC | 1071 | 979 | 895 | 819 | 780 | 1114 | 1021 | 934 | 861 | 843 | 1140 | 1045 | 957 | 890 | 885 |
| | | SHC | 395 | 505 | 611 | 716 | 780 | 417 | 553 | 686 | 811 | 843 | 434 | 592 | 748 | 881 | 885 |
| 105 | 175 | LDB | 63.39 | 58.16 | 53.08 | 48.10 | 44.97 | 66.26 | 61.23 | 56.26 | 51.57 | 50.29 | 68.02 | 63.11 | 58.26 | 54.09 | 53.83 |
| | | LWB | 63.39 | 57.94 | 52.57 | 47.24 | 41.36 | 66.21 | 60.81 | 55.49 | 50.14 | 44.03 | 67.89 | 62.55 | 57.26 | 51.86 | 45.74 |
| | | KW | 66.26 | 65.27 | 64.45 | 63.79 | 63.49 | 66.82 | 65.78 | 64.90 | 64.19 | 64.05 | 67.12 | 66.03 | 65.10 | 64.45 | 64.41 |
| | 219 | TC | 1075 | 983 | 898 | 822 | 781 | 1119 | 1025 | 938 | 863 | 845 | 1145 | 1050 | 960 | 893 | 887 |
| | | SHC | 397 | 507 | 613 | 717 | 781 | 419 | 554 | 688 | 813 | 845 | 435 | 594 | 750 | 883 | 887 |
| | | LDB | 63.33 | 58.10 | 53.03 | 48.05 | 44.88 | 66.21 | 61.18 | 56.21 | 51.52 | 50.21 | 67.97 | 63.07 | 58.22 | 54.03 | 53.76 |
| | 263 | LWB | 63.33 | 57.88 | 52.52 | 47.20 | 41.32 | 66.15 | 60.76 | 55.44 | 50.09 | 43.99 | 67.85 | 62.50 | 57.22 | 51.82 | 45.70 |
| | | KW | 65.04 | 64.15 | 63.43 | 62.84 | 62.57 | 65.56 | 64.61 | 63.83 | 63.21 | 63.08 | 65.86 | 64.84 | 64.00 | 63.43 | 63.39 |
| | | TC | 1014 | 929 | 850 | 780 | 748 | 1051 | 964 | 883 | 816 | 806 | 1073 | 986 | 904 | 847 | 846 |
| | 306 | SHC | 376 | 485 | 591 | 696 | 748 | 396 | 532 | 665 | 788 | 806 | 412 | 571 | 725 | 847 | 846 |
| | | LDB | 64.22 | 59.02 | 53.95 | 48.98 | 46.41 | 66.95 | 61.94 | 56.99 | 52.39 | 51.59 | 68.62 | 63.71 | 58.91 | 55.10 | 55.00 |
| | | LWB | 64.22 | 58.78 | 53.41 | 48.06 | 42.10 | 66.89 | 61.50 | 56.18 | 50.81 | 44.67 | 68.48 | 63.13 | 57.84 | 52.40 | 46.29 |
| 105 | 175 | KW | 78.84 | 77.40 | 76.15 | 75.13 | 74.58 | 79.55 | 78.04 | 76.74 | 75.65 | 75.53 | 79.92 | 78.42 | 77.09 | 76.19 | 76.20 |
| | | TC | 1024 | 937 | 856 | 785 | 752 | 1062 | 974 | 891 | 823 | 811 | 1085 | 996 | 912 | 853 | 851 |
| | | SHC | 379 | 488 | 595 | 698 | 752 | 400 | 535 | 668 | 791 | 811 | 416 | 574 | 730 | 853 | 851 |
| | 219 | LDB | 64.08 | 58.88 | 53.81 | 48.85 | 46.22 | 66.83 | 61.82 | 56.86 | 52.27 | 51.41 | 68.51 | 63.61 | 58.78 | 54.91 | 54.82 |
| | | LWB | 64.08 | 58.64 | 53.28 | 47.95 | 42.00 | 66.77 | 61.39 | 56.08 | 50.72 | 44.58 | 68.37 | 63.04 | 57.75 | 52.32 | 46.21 |
| | | KW | 75.98 | 74.79 | 73.73 | 72.84 | 72.39 | 76.60 | 75.33 | 74.22 | 73.32 | 73.19 | 76.95 | 75.64 | 74.51 | 73.77 | 73.73 |
| | 263 | TC | 1030 | 942 | 861 | 789 | 754 | 1070 | 980 | 896 | 827 | 814 | 1093 | 1002 | 918 | 857 | 855 |
| | | SHC | 381 | 491 | 597 | 700 | 754 | 402 | 537 | 671 | 794 | 814 | 418 | 577 | 732 | 857 | 855 |
| | | LDB | 63.99 | 58.79 | 53.73 | 48.77 | 46.10 | 66.75 | 61.74 | 56.79 | 52.19 | 51.28 | 68.44 | 63.54 | 58.72 | 54.79 | 54.71 |
| | 306 | LWB | 63.99 | 58.56 | 53.20 | 47.88 | 41.94 | 66.69 | 61.31 | 56.01 | 50.65 | 44.52 | 68.31 | 62.97 | 57.69 | 52.27 | 46.15 |
| | | KW | 74.11 | 73.04 | 72.13 | 71.38 | 70.99 | 74.69 | 73.54 | 72.56 | 71.78 | 71.67 | 74.99 | 73.81 | 72.80 | 72.15 | 72.12 |
| | | TC | 1035 | 946 | 864 | 791 | 757 | 1075 | 984 | 900 | 830 | 817 | 1098 | 1007 | 921 | 860 | 858 |
| 105 | SHC | 383 | 492 | 598 | 702 | 757 | 404 | 539 | 672 | 795 | 817 | 420 | 578 | 733 | 860 | 858 | |
| | LDB | 63.92 | 58.73 | 53.67 | 48.72 | 46.01 | 66.69 | 61.69 | 56.74 | 52.13 | 51.19 | 68.39 | 63.50 | 58.68 | 54.71 | 54.63 | |
| | LWB | 63.92 | 58.49 | 53.14 | 47.82 | 41.90 | 66.63 | 61.26 | 55.96 | 50.61 | 44.47 | 68.26 | 62.93 | 57.65 | 52.23 | 46.12 | |
| 105 | KW | 72.79 | 71.83 | 71.03 | 70.35 | 70.00 | 73.32 | 72.29 | 71.41 | 70.72 | 70.62 | 73.59 | 72.52 | 71.62 | 71.04 | 71.02 | |

LEGEND

- BF** — Bypass Factor
- EDB** — Entering Dry Bulb (F)
- EWB** — Entering Wet Bulb (F)
- EWT** — Entering Water Temperature (F)
- kW** — Compressor Motor Power Input (kilowatts)
- LDB** — Leaving Dry Bulb (F)
- LWB** — Leaving Wet Bulb (F)
- SHC** — Sensible Capacity (1000 Btu/hr)
- TC** — Total Capacity (1000 Btu/hr)

Performance data (cont)



GROSS COOLING CAPACITIES (cont)

50XJD094 WITH (2) 13 HP COMPRESSORS AND (2) 25 HP COMPRESSORS

| EWT (F) | GPM | BF | AIR ENTERING EVAPORATOR — CFM AT 80 F EDB | | | | | | | | | | | | | | |
|---------|-------|-------|---|-------|-------|-------|-------|--------|-------|-------|-------|-------|--------|-------|-------|-------|-------|
| | | | 20,400 | | | | | 26,000 | | | | | 31,000 | | | | |
| | | | Air Entering Evaporator — Ewb (F) | | | | | | | | | | | | | | |
| | | | 77 | 72 | 67 | 62 | 57 | 77 | 72 | 67 | 62 | 57 | 77 | 72 | 67 | 62 | 57 |
| 0.001 | 0.053 | 0.054 | 0.056 | 0.144 | 0.034 | 0.073 | 0.072 | 0.084 | 0.272 | 0.064 | 0.088 | 0.088 | 0.12 | 0.357 | | | |
| 65 | 190 | TC | 1187 | 1087 | 994 | 910 | 849 | 1238 | 1136 | 1040 | 957 | 921 | 1271 | 1167 | 1070 | 990 | 971 |
| | | SHC | 437 | 548 | 656 | 761 | 849 | 460 | 597 | 731 | 861 | 921 | 478 | 637 | 794 | 940 | 971 |
| | | LDB | 61.63 | 56.30 | 51.15 | 46.12 | 41.85 | 64.84 | 59.75 | 54.73 | 49.87 | 47.52 | 66.81 | 61.85 | 56.94 | 52.38 | 51.30 |
| | | LWB | 61.63 | 56.12 | 50.70 | 45.35 | 39.74 | 64.83 | 59.38 | 54.01 | 48.64 | 42.66 | 66.72 | 61.32 | 55.99 | 50.60 | 44.52 |
| | kW | 53.73 | 52.39 | 51.20 | 50.26 | 49.63 | 54.41 | 52.99 | 51.76 | 50.81 | 50.42 | 55.10 | 53.41 | 52.18 | 51.26 | 51.00 | |
| | 238 | TC | 1194 | 1092 | 998 | 914 | 852 | 1247 | 1142 | 1046 | 961 | 925 | 1280 | 1174 | 1076 | 994 | 974 |
| | | SHC | 439 | 551 | 658 | 762 | 852 | 463 | 599 | 733 | 863 | 925 | 480 | 640 | 797 | 942 | 974 |
| | | LDB | 61.53 | 56.20 | 51.06 | 46.04 | 41.73 | 64.75 | 59.66 | 54.65 | 49.81 | 47.40 | 66.73 | 61.77 | 56.87 | 52.31 | 51.18 |
| | | LWB | 61.53 | 56.02 | 50.61 | 45.27 | 39.68 | 64.73 | 59.30 | 53.93 | 48.58 | 42.60 | 66.64 | 61.25 | 55.92 | 50.54 | 44.46 |
| | kW | 52.10 | 50.84 | 49.80 | 48.92 | 48.28 | 52.83 | 51.47 | 50.33 | 49.40 | 49.03 | 53.32 | 51.90 | 50.70 | 49.82 | 49.58 | |
| | 285 | TC | 1198 | 1096 | 1001 | 916 | 853 | 1252 | 1147 | 1049 | 964 | 927 | 1285 | 1179 | 1080 | 997 | 977 |
| | | SHC | 441 | 552 | 659 | 763 | 853 | 465 | 601 | 735 | 864 | 927 | 482 | 642 | 799 | 944 | 977 |
| LDB | | 61.46 | 56.14 | 51.01 | 45.99 | 41.66 | 64.69 | 59.61 | 54.60 | 49.76 | 47.33 | 66.68 | 61.72 | 56.82 | 52.26 | 51.11 | |
| LWB | | 61.46 | 55.96 | 50.56 | 45.22 | 39.64 | 64.68 | 59.24 | 53.88 | 48.53 | 42.56 | 66.59 | 61.20 | 55.87 | 50.50 | 44.43 | |
| kW | 51.10 | 49.89 | 48.85 | 48.03 | 47.45 | 51.84 | 50.51 | 49.38 | 48.48 | 48.14 | 52.33 | 50.92 | 49.75 | 48.87 | 48.64 | | |
| 333 | TC | 1202 | 1098 | 1003 | 917 | 854 | 1256 | 1150 | 1051 | 965 | 928 | 1289 | 1182 | 1082 | 999 | 979 | |
| | SHC | 442 | 553 | 660 | 764 | 854 | 466 | 602 | 736 | 865 | 928 | 484 | 643 | 800 | 945 | 979 | |
| | LDB | 61.41 | 56.09 | 50.97 | 45.96 | 41.61 | 64.64 | 59.57 | 54.57 | 49.72 | 47.28 | 66.64 | 61.69 | 56.79 | 52.23 | 51.06 | |
| | LWB | 61.41 | 55.92 | 50.52 | 45.19 | 39.62 | 64.63 | 59.20 | 53.85 | 48.50 | 42.54 | 66.55 | 61.17 | 55.84 | 50.47 | 44.40 | |
| kW | 50.40 | 49.19 | 48.19 | 47.42 | 46.83 | 51.12 | 49.80 | 48.70 | 47.84 | 47.53 | 51.59 | 50.21 | 49.06 | 48.21 | 47.99 | | |
| 75 | 190 | TC | 1155 | 1058 | 967 | 885 | 830 | 1203 | 1104 | 1011 | 931 | 900 | 1234 | 1133 | 1040 | 962 | 948 |
| | | SHC | 425 | 537 | 644 | 748 | 830 | 448 | 584 | 719 | 848 | 900 | 465 | 625 | 782 | 925 | 948 |
| | | LDB | 62.12 | 56.81 | 51.67 | 46.65 | 42.69 | 65.24 | 60.17 | 55.16 | 50.32 | 48.28 | 67.16 | 62.20 | 57.30 | 52.80 | 51.96 |
| | | LWB | 62.12 | 56.62 | 51.21 | 45.87 | 40.18 | 65.22 | 59.78 | 54.42 | 49.05 | 43.04 | 67.05 | 61.66 | 56.33 | 50.95 | 44.84 |
| | kW | 58.91 | 57.60 | 56.54 | 55.75 | 55.20 | 59.57 | 58.21 | 57.02 | 56.20 | 55.88 | 60.06 | 58.67 | 57.42 | 56.57 | 56.43 | |
| | 238 | TC | 1164 | 1064 | 972 | 890 | 833 | 1212 | 1111 | 1017 | 936 | 904 | 1244 | 1142 | 1046 | 968 | 953 |
| | | SHC | 428 | 539 | 646 | 751 | 833 | 451 | 587 | 721 | 850 | 904 | 468 | 628 | 785 | 928 | 953 |
| | | LDB | 62.00 | 56.70 | 51.57 | 46.56 | 42.56 | 65.14 | 60.07 | 55.07 | 50.25 | 48.14 | 67.07 | 62.12 | 57.22 | 52.72 | 51.83 |
| | | LWB | 62.00 | 56.51 | 51.11 | 45.78 | 40.11 | 65.12 | 59.69 | 54.33 | 48.97 | 42.97 | 66.96 | 61.58 | 56.26 | 50.88 | 44.78 |
| | kW | 56.99 | 55.81 | 54.82 | 54.03 | 53.56 | 57.62 | 56.35 | 55.31 | 54.42 | 54.14 | 58.07 | 56.76 | 55.67 | 54.83 | 54.67 | |
| | 285 | TC | 1169 | 1068 | 976 | 892 | 835 | 1218 | 1116 | 1021 | 939 | 906 | 1250 | 1147 | 1050 | 971 | 955 |
| | | SHC | 430 | 541 | 648 | 752 | 835 | 453 | 589 | 723 | 852 | 906 | 470 | 630 | 786 | 930 | 955 |
| LDB | | 61.92 | 56.62 | 51.50 | 46.50 | 42.47 | 65.07 | 60.01 | 55.01 | 50.19 | 48.06 | 67.01 | 62.06 | 57.17 | 52.67 | 51.75 | |
| LWB | | 61.92 | 56.43 | 51.04 | 45.72 | 40.07 | 65.05 | 59.63 | 54.27 | 48.92 | 42.93 | 66.91 | 61.53 | 56.21 | 50.83 | 44.74 | |
| kW | 55.80 | 54.66 | 53.73 | 52.97 | 52.53 | 56.37 | 55.18 | 54.16 | 53.38 | 53.09 | 56.79 | 55.58 | 54.51 | 53.73 | 53.57 | | |
| 333 | TC | 1172 | 1071 | 978 | 894 | 836 | 1222 | 1120 | 1024 | 941 | 908 | 1255 | 1150 | 1053 | 974 | 957 | |
| | SHC | 431 | 542 | 649 | 753 | 836 | 455 | 590 | 724 | 853 | 908 | 472 | 631 | 788 | 931 | 957 | |
| | LDB | 61.87 | 56.57 | 51.45 | 46.46 | 42.42 | 65.03 | 59.96 | 54.97 | 50.15 | 48.00 | 66.97 | 62.02 | 57.13 | 52.63 | 51.69 | |
| | LWB | 61.87 | 56.38 | 51.00 | 45.68 | 40.04 | 65.01 | 59.59 | 54.24 | 48.89 | 42.89 | 66.87 | 61.49 | 56.17 | 50.80 | 44.71 | |
| kW | 54.90 | 53.83 | 52.95 | 52.24 | 51.75 | 55.49 | 54.32 | 53.36 | 52.63 | 52.35 | 55.91 | 54.70 | 53.68 | 52.95 | 52.80 | | |
| 85 | 190 | TC | 1119 | 1024 | 936 | 858 | 810 | 1165 | 1068 | 979 | 902 | 876 | 1194 | 1096 | 1005 | 931 | 922 |
| | | SHC | 412 | 523 | 630 | 735 | 810 | 435 | 571 | 705 | 833 | 876 | 452 | 611 | 767 | 908 | 922 |
| | | LDB | 62.67 | 57.39 | 52.26 | 47.25 | 43.61 | 65.69 | 60.63 | 55.63 | 50.84 | 49.11 | 67.52 | 62.59 | 57.71 | 53.32 | 52.73 |
| | | LWB | 62.67 | 57.19 | 51.79 | 46.44 | 40.67 | 65.65 | 60.23 | 54.87 | 49.50 | 43.45 | 67.41 | 62.04 | 56.72 | 51.34 | 45.21 |
| | kW | 65.41 | 64.16 | 63.11 | 62.29 | 61.78 | 66.04 | 64.76 | 63.65 | 62.82 | 62.50 | 66.52 | 65.19 | 64.04 | 63.11 | 63.05 | |
| | 238 | TC | 1128 | 1031 | 942 | 863 | 813 | 1174 | 1077 | 986 | 907 | 880 | 1204 | 1105 | 1012 | 937 | 927 |
| | | SHC | 415 | 526 | 633 | 737 | 813 | 438 | 574 | 708 | 836 | 880 | 455 | 614 | 771 | 911 | 927 |
| | | LDB | 62.54 | 57.27 | 52.14 | 47.15 | 43.47 | 65.58 | 60.52 | 55.53 | 50.74 | 48.96 | 67.43 | 62.49 | 57.61 | 53.22 | 52.59 |
| | | LWB | 62.54 | 57.06 | 51.68 | 46.35 | 40.59 | 65.54 | 60.12 | 54.77 | 49.41 | 43.38 | 67.32 | 61.95 | 56.64 | 51.26 | 45.14 |
| | kW | 63.04 | 62.01 | 61.11 | 60.37 | 59.95 | 63.60 | 62.48 | 61.56 | 60.82 | 60.54 | 64.04 | 62.86 | 61.88 | 61.11 | 61.02 | |
| | 285 | TC | 1133 | 1036 | 946 | 866 | 815 | 1181 | 1082 | 990 | 911 | 883 | 1211 | 1111 | 1017 | 941 | 930 |
| | | SHC | 417 | 528 | 635 | 739 | 815 | 440 | 576 | 710 | 837 | 883 | 457 | 616 | 773 | 913 | 930 |
| LDB | | 62.46 | 57.18 | 52.07 | 47.08 | 43.37 | 65.50 | 60.45 | 55.46 | 50.68 | 48.87 | 67.37 | 62.44 | 57.56 | 53.15 | 52.49 | |
| LWB | | 62.46 | 56.99 | 51.61 | 46.28 | 40.54 | 65.47 | 60.06 | 54.71 | 49.36 | 43.33 | 67.26 | 61.89 | 56.58 | 51.21 | 45.10 | |
| kW | 61.53 | 60.57 | 59.78 | 59.16 | 58.81 | 62.05 | 61.02 | 60.17 | 59.54 | 59.30 | 62.46 | 61.38 | 60.46 | 59.78 | 59.71 | | |
| 333 | TC | 1137 | 1039 | 949 | 868 | 817 | 1185 | 1085 | 993 | 913 | 885 | 1216 | 1115 | 1021 | 944 | 933 | |
| | SHC | 419 | 529 | 636 | 740 | 817 | 442 | 577 | 711 | 839 | 885 | 459 | 618 | 774 | 915 | 933 | |
| | LDB | 62.39 | 57.13 | 52.02 | 47.03 | 43.30 | 65.45 | 60.41 | 55.42 | 50.64 | 48.80 | 67.32 | 62.39 | 57.52 | 53.11 | 52.42 | |
| | LWB | 62.39 | 56.93 | 51.55 | 46.24 | 40.50 | 65.42 | 60.01 | 54.67 | 49.32 | 43.29 | 67.22 | 61.85 | 56.54 | 51.18 | 45.06 | |
| kW | 60.41 | 59.54 | 58.84 | 58.28 | 57.94 | 60.99 | 59.94 | 59.18 | 58.63 | 58.40 | 61.40 | 60.26 | 59.45 | 58.84 | 58.79 | | |

LEGEND

- BF — Bypass Factor
- EDB — Entering Dry Bulb (F)
- EWB — Entering Wet Bulb (F)
- EWT — Entering Water Temperature (F)
- kW — Compressor Motor Power Input (kilowatts)
- LDB — Leaving Dry Bulb (F)
- LWB — Leaving Wet Bulb (F)
- SHC — Sensible Capacity (1000 Btu/hr)
- TC — Total Capacity (1000 Btu/hr)



GROSS COOLING CAPACITIES (cont)

50XJD094 WITH (2) 13 HP COMPRESSORS AND (2) 25 HP COMPRESSORS (cont)

| EWT (F) | GPM | BF | AIR ENTERING EVAPORATOR — CFM AT 80 F EDB | | | | | | | | | | | | | | |
|---------|-------|-------|---|-------|-------|-------|-------|--------|-------|-------|-------|-------|--------|-------|-------|-------|-------|
| | | | 20,400 | | | | | 26,000 | | | | | 31,000 | | | | |
| | | | Air Entering Evaporator — Ewb (F) | | | | | | | | | | | | | | |
| | | | 77 | 72 | 67 | 62 | 57 | 77 | 72 | 67 | 62 | 57 | 77 | 72 | 67 | 62 | 57 |
| 0.001 | 0.053 | 0.054 | 0.056 | 0.144 | 0.034 | 0.073 | 0.072 | 0.084 | 0.272 | 0.064 | 0.088 | 0.088 | 0.12 | 0.357 | | | |
| 95 | 190 | TC | 1080 | 988 | 904 | 828 | 787 | 1123 | 1030 | 944 | 870 | 850 | 1149 | 1054 | 967 | 898 | 893 |
| | | SHC | 398 | 509 | 615 | 720 | 787 | 420 | 556 | 690 | 816 | 850 | 437 | 595 | 752 | 888 | 893 |
| | | LDB | 63.26 | 58.01 | 52.92 | 47.91 | 44.63 | 66.16 | 61.11 | 56.13 | 51.40 | 50.02 | 67.94 | 63.02 | 58.16 | 53.89 | 53.59 |
| | | LWB | 63.26 | 57.79 | 52.40 | 47.06 | 41.19 | 66.11 | 60.70 | 55.35 | 49.99 | 43.90 | 67.81 | 62.46 | 57.15 | 51.75 | 45.63 |
| | kW | 72.99 | 71.67 | 70.54 | 69.63 | 69.17 | 73.73 | 72.35 | 71.16 | 70.22 | 69.98 | 74.13 | 72.71 | 71.49 | 70.54 | 70.50 | |
| | 238 | TC | 1089 | 996 | 910 | 833 | 791 | 1133 | 1039 | 951 | 876 | 855 | 1160 | 1064 | 974 | 905 | 898 |
| | | SHC | 402 | 512 | 618 | 723 | 791 | 424 | 560 | 693 | 820 | 855 | 440 | 599 | 755 | 891 | 898 |
| | | LDB | 63.12 | 57.87 | 52.79 | 47.79 | 44.47 | 66.04 | 61.00 | 56.02 | 51.30 | 49.87 | 67.84 | 62.92 | 58.05 | 53.79 | 53.44 |
| | | LWB | 63.12 | 57.66 | 52.29 | 46.96 | 41.11 | 66.00 | 60.59 | 55.26 | 49.90 | 43.82 | 67.72 | 62.36 | 57.06 | 51.67 | 45.55 |
| | kW | 70.39 | 69.30 | 68.34 | 67.54 | 67.18 | 71.01 | 69.86 | 68.86 | 68.05 | 67.81 | 71.40 | 70.17 | 69.12 | 68.33 | 68.27 | |
| | 285 | TC | 1095 | 1001 | 914 | 837 | 793 | 1139 | 1044 | 955 | 880 | 858 | 1167 | 1070 | 980 | 909 | 902 |
| | | SHC | 404 | 514 | 620 | 724 | 793 | 426 | 562 | 695 | 821 | 858 | 443 | 601 | 757 | 894 | 902 |
| LDB | | 63.04 | 57.80 | 52.71 | 47.72 | 44.36 | 65.97 | 60.93 | 55.96 | 51.23 | 49.76 | 67.77 | 62.85 | 57.99 | 53.71 | 53.33 | |
| LWB | | 63.04 | 57.59 | 52.21 | 46.89 | 41.05 | 65.93 | 60.53 | 55.19 | 49.84 | 43.77 | 67.65 | 62.30 | 57.00 | 51.62 | 45.50 | |
| kW | 68.73 | 67.73 | 66.90 | 66.23 | 65.92 | 69.29 | 68.23 | 67.35 | 66.66 | 66.44 | 69.66 | 68.53 | 67.58 | 66.89 | 66.84 | | |
| 333 | TC | 1099 | 1004 | 917 | 839 | 795 | 1144 | 1048 | 959 | 882 | 860 | 1172 | 1075 | 983 | 912 | 904 | |
| | SHC | 405 | 515 | 621 | 725 | 795 | 428 | 563 | 696 | 823 | 860 | 445 | 603 | 759 | 896 | 904 | |
| | LDB | 62.97 | 57.73 | 52.66 | 47.67 | 44.28 | 65.92 | 60.89 | 55.91 | 51.18 | 49.69 | 67.72 | 62.81 | 57.95 | 53.66 | 53.26 | |
| | LWB | 62.97 | 57.53 | 52.16 | 46.84 | 41.01 | 65.88 | 60.48 | 55.15 | 49.80 | 43.73 | 67.60 | 62.25 | 56.96 | 51.59 | 45.46 | |
| kW | 67.50 | 66.59 | 65.88 | 65.26 | 64.97 | 68.01 | 67.05 | 66.26 | 65.67 | 65.45 | 68.36 | 67.32 | 66.47 | 65.87 | 65.82 | | |
| 105 | 190 | TC | 1038 | 950 | 869 | 797 | 761 | 1077 | 988 | 905 | 835 | 822 | 1100 | 1010 | 926 | 864 | 862 |
| | | SHC | 384 | 493 | 600 | 704 | 761 | 405 | 540 | 674 | 798 | 822 | 421 | 580 | 735 | 864 | 862 |
| | | LDB | 63.88 | 58.66 | 53.59 | 48.61 | 45.80 | 66.67 | 61.64 | 56.69 | 52.03 | 51.03 | 68.37 | 63.46 | 58.64 | 54.59 | 54.50 |
| | | LWB | 63.88 | 58.43 | 53.06 | 47.71 | 41.79 | 66.61 | 61.22 | 55.89 | 50.53 | 44.40 | 68.24 | 62.89 | 57.60 | 52.18 | 46.06 |
| | kW | 81.52 | 80.07 | 78.81 | 77.76 | 77.21 | 82.30 | 80.77 | 79.46 | 78.35 | 78.21 | 82.69 | 81.14 | 79.80 | 78.82 | 78.83 | |
| | 238 | TC | 1047 | 958 | 875 | 802 | 765 | 1088 | 997 | 912 | 841 | 827 | 1112 | 1020 | 934 | 870 | 868 |
| | | SHC | 387 | 497 | 603 | 707 | 765 | 409 | 544 | 677 | 801 | 827 | 425 | 583 | 739 | 870 | 868 |
| | | LDB | 63.74 | 58.53 | 53.45 | 48.48 | 45.62 | 66.54 | 61.52 | 56.56 | 51.92 | 50.86 | 68.27 | 63.36 | 58.52 | 54.41 | 54.34 |
| | | LWB | 63.74 | 58.30 | 52.93 | 47.61 | 41.70 | 66.49 | 61.10 | 55.79 | 50.44 | 44.31 | 68.14 | 62.80 | 57.51 | 52.10 | 45.98 |
| | kW | 78.70 | 77.49 | 76.42 | 75.52 | 75.06 | 79.38 | 78.11 | 76.96 | 76.03 | 75.88 | 79.71 | 78.40 | 77.24 | 76.42 | 76.39 | |
| | 285 | TC | 1053 | 963 | 879 | 805 | 768 | 1095 | 1003 | 917 | 845 | 830 | 1119 | 1026 | 939 | 874 | 872 |
| | | SHC | 389 | 499 | 605 | 709 | 768 | 411 | 546 | 679 | 804 | 830 | 427 | 585 | 741 | 874 | 872 |
| LDB | | 63.65 | 58.44 | 53.37 | 48.41 | 45.50 | 66.47 | 61.45 | 56.49 | 51.84 | 50.74 | 68.20 | 63.30 | 58.46 | 54.30 | 54.23 | |
| LWB | | 63.65 | 58.21 | 52.86 | 47.54 | 41.64 | 66.41 | 61.03 | 55.72 | 50.37 | 44.25 | 68.07 | 62.73 | 57.45 | 52.06 | 45.93 | |
| kW | 76.89 | 75.80 | 74.87 | 74.11 | 73.71 | 77.52 | 76.35 | 75.35 | 74.55 | 74.42 | 77.82 | 76.61 | 75.59 | 74.87 | 74.84 | | |
| 333 | TC | 1058 | 967 | 882 | 808 | 770 | 1100 | 1008 | 921 | 848 | 832 | 1125 | 1031 | 943 | 877 | 874 | |
| | SHC | 391 | 500 | 606 | 710 | 770 | 413 | 548 | 681 | 805 | 832 | 429 | 587 | 742 | 877 | 874 | |
| | LDB | 63.59 | 58.38 | 53.32 | 48.36 | 45.41 | 66.41 | 61.40 | 56.45 | 51.79 | 50.65 | 68.15 | 63.25 | 58.42 | 54.21 | 54.15 | |
| | LWB | 63.59 | 58.15 | 52.80 | 47.49 | 41.59 | 66.36 | 60.98 | 55.67 | 50.33 | 44.21 | 68.02 | 62.69 | 57.41 | 52.02 | 45.89 | |
| kW | 75.55 | 74.57 | 73.76 | 73.05 | 72.71 | 76.12 | 75.08 | 74.19 | 73.47 | 73.36 | 76.40 | 75.31 | 74.39 | 73.75 | 73.73 | | |

LEGEND

- BF** — Bypass Factor
- EDB** — Entering Dry Bulb (F)
- EWB** — Entering Wet Bulb (F)
- EWT** — Entering Water Temperature (F)
- kW** — Compressor Motor Power Input (kilowatts)
- LDB** — Leaving Dry Bulb (F)
- LWB** — Leaving Wet Bulb (F)
- SHC** — Sensible Capacity (1000 Btu/hr)
- TC** — Total Capacity (1000 Btu/hr)

Performance data (cont)



GROSS COOLING CAPACITIES (cont)

50XJF094 WITH (2) 15 HP COMPRESSORS AND (2) 25 HP COMPRESSORS

| EWT (F) | GPM | BF | AIR ENTERING EVAPORATOR — CFM AT 80 F EDB | | | | | | | | | | | | | | | |
|------------|-------|-------|---|-------|-------|-------|-------|--------|-------|-------|-------|-------|--------|-------|-------|-------|-------|-------|
| | | | 20,400 | | | | | 26,000 | | | | | 31,000 | | | | | |
| | | | Air Entering Evaporator — Ewb (F) | | | | | | | | | | | | | | | |
| | | | 77 | 72 | 67 | 62 | 57 | 77 | 72 | 67 | 62 | 57 | 77 | 72 | 67 | 62 | 57 | |
| 0.001 | 0.052 | 0.054 | 0.054 | 0.109 | 0.019 | 0.072 | 0.072 | 0.08 | 0.241 | 0.057 | 0.088 | 0.087 | 0.11 | 0.329 | | | | |
| 65 | 200 | TC | 1245 | 1139 | 1041 | 953 | 883 | 1305 | 1195 | 1095 | 1005 | 959 | 1339 | 1229 | 1128 | 1040 | 1012 | |
| | | SHC | 458 | 570 | 678 | 783 | 883 | 483 | 621 | 755 | 885 | 959 | 501 | 661 | 819 | 967 | 1012 | |
| | | LDB | 60.74 | 55.35 | 50.20 | 45.15 | 40.31 | 64.08 | 58.95 | 53.93 | 49.03 | 46.18 | 66.17 | 61.18 | 56.25 | 51.59 | 50.06 | |
| | 250 | LWB | 60.74 | 55.20 | 49.77 | 44.42 | 38.92 | 64.08 | 58.62 | 53.23 | 47.88 | 41.98 | 66.10 | 60.68 | 55.32 | 49.95 | 43.91 | |
| | | KW | 58.31 | 56.84 | 55.64 | 54.60 | 53.88 | 59.35 | 57.60 | 56.30 | 55.19 | 54.71 | 59.69 | 58.06 | 56.88 | 55.68 | 55.34 | |
| | | TC | 1253 | 1145 | 1046 | 957 | 887 | 1313 | 1203 | 1101 | 1009 | 963 | 1349 | 1237 | 1134 | 1045 | 1016 | |
| | 300 | SHC | 461 | 573 | 680 | 784 | 883 | 486 | 624 | 757 | 888 | 963 | 504 | 664 | 821 | 970 | 1016 | |
| | | LDB | 60.62 | 55.25 | 50.10 | 45.07 | 40.33 | 63.98 | 58.85 | 53.84 | 48.95 | 46.06 | 66.08 | 61.10 | 56.17 | 51.52 | 49.94 | |
| | | LWB | 60.62 | 55.09 | 49.67 | 44.34 | 38.83 | 63.98 | 58.52 | 53.14 | 47.80 | 41.92 | 66.01 | 60.60 | 55.25 | 49.89 | 43.86 | |
| | 75 | 200 | KW | 56.50 | 55.16 | 54.06 | 53.09 | 52.42 | 57.38 | 55.91 | 54.68 | 53.68 | 53.18 | 57.89 | 56.37 | 55.08 | 54.09 | 53.78 |
| | | | TC | 1258 | 1149 | 1049 | 959 | 890 | 1319 | 1207 | 1104 | 1012 | 965 | 1355 | 1242 | 1138 | 1048 | 1019 |
| | | | SHC | 462 | 574 | 681 | 786 | 882 | 488 | 625 | 759 | 889 | 965 | 506 | 666 | 823 | 972 | 1019 |
| 250 | | LDB | 60.54 | 55.18 | 50.04 | 45.02 | 40.38 | 63.91 | 58.79 | 53.79 | 48.90 | 45.98 | 66.02 | 61.04 | 56.13 | 51.46 | 49.87 | |
| | | LWB | 60.54 | 55.03 | 49.61 | 44.28 | 38.76 | 63.91 | 58.46 | 53.09 | 47.75 | 41.88 | 65.96 | 60.55 | 55.21 | 49.85 | 43.82 | |
| | | KW | 55.35 | 54.09 | 52.99 | 52.09 | 51.47 | 56.22 | 54.81 | 53.62 | 52.64 | 52.17 | 56.73 | 55.21 | 54.02 | 53.03 | 52.72 | |
| 300 | | TC | 1261 | 1152 | 1051 | 961 | 893 | 1323 | 1211 | 1107 | 1015 | 966 | 1359 | 1246 | 1141 | 1050 | 1021 | |
| | | SHC | 464 | 576 | 682 | 787 | 879 | 489 | 627 | 760 | 890 | 966 | 508 | 667 | 824 | 973 | 1021 | |
| | | LDB | 60.49 | 55.13 | 49.99 | 44.97 | 40.51 | 63.87 | 58.74 | 53.75 | 48.86 | 45.93 | 65.98 | 61.00 | 56.09 | 51.43 | 49.82 | |
| 85 | | 200 | LWB | 60.49 | 54.98 | 49.57 | 44.25 | 38.69 | 63.87 | 58.42 | 53.05 | 47.72 | 41.85 | 65.91 | 60.51 | 55.17 | 49.82 | 43.79 |
| | | | KW | 54.58 | 53.30 | 52.25 | 51.41 | 50.81 | 55.82 | 54.02 | 52.86 | 51.92 | 51.48 | 55.88 | 54.46 | 53.24 | 52.29 | 52.00 |
| | | | TC | 1212 | 1109 | 1014 | 929 | 864 | 1267 | 1162 | 1064 | 977 | 938 | 1300 | 1194 | 1095 | 1011 | 989 |
| | 250 | SHC | 446 | 558 | 665 | 770 | 864 | 470 | 607 | 741 | 872 | 938 | 488 | 648 | 805 | 952 | 989 | |
| | | LDB | 61.25 | 55.90 | 50.74 | 45.70 | 41.18 | 64.51 | 59.41 | 54.38 | 49.50 | 46.92 | 66.54 | 61.56 | 56.64 | 52.02 | 50.76 | |
| | | LWB | 61.25 | 55.73 | 50.30 | 44.94 | 39.39 | 64.51 | 59.05 | 53.67 | 48.31 | 42.36 | 66.45 | 61.04 | 55.70 | 50.32 | 44.26 | |
| | 300 | KW | 64.03 | 62.70 | 61.60 | 60.73 | 60.08 | 64.84 | 63.36 | 62.17 | 61.23 | 60.86 | 65.37 | 63.83 | 62.60 | 61.65 | 61.37 | |
| | | TC | 1220 | 1116 | 1020 | 933 | 867 | 1276 | 1169 | 1070 | 983 | 942 | 1311 | 1203 | 1102 | 1017 | 993 | |
| | | SHC | 449 | 561 | 668 | 772 | 867 | 473 | 610 | 744 | 874 | 942 | 491 | 651 | 808 | 955 | 993 | |
| | 350 | LDB | 61.12 | 55.77 | 50.63 | 45.60 | 41.04 | 64.40 | 59.31 | 54.29 | 49.41 | 46.78 | 66.44 | 61.47 | 56.55 | 51.94 | 50.63 | |
| | | LWB | 61.12 | 55.61 | 50.19 | 44.85 | 39.32 | 64.40 | 58.95 | 53.58 | 48.23 | 42.28 | 66.36 | 60.96 | 55.62 | 50.25 | 44.19 | |
| | | KW | 61.92 | 60.65 | 59.63 | 58.85 | 58.30 | 62.69 | 61.31 | 60.17 | 59.29 | 58.97 | 63.18 | 61.75 | 60.55 | 59.65 | 59.40 | |
| 85 | 200 | TC | 1226 | 1120 | 1023 | 936 | 869 | 1283 | 1174 | 1075 | 986 | 945 | 1318 | 1208 | 1107 | 1021 | 996 | |
| | | SHC | 451 | 562 | 669 | 774 | 869 | 476 | 613 | 746 | 876 | 945 | 493 | 653 | 810 | 957 | 996 | |
| | | LDB | 61.04 | 55.70 | 50.56 | 45.54 | 40.95 | 64.33 | 59.22 | 54.22 | 49.35 | 46.70 | 66.37 | 61.41 | 56.49 | 51.88 | 50.54 | |
| | 250 | LWB | 61.04 | 55.53 | 50.12 | 44.79 | 39.27 | 64.33 | 58.89 | 53.52 | 48.18 | 42.24 | 66.30 | 60.90 | 55.56 | 50.20 | 44.15 | |
| | | KW | 60.55 | 59.37 | 58.37 | 57.61 | 57.16 | 61.26 | 60.01 | 58.91 | 58.03 | 57.71 | 61.72 | 60.40 | 59.27 | 58.40 | 58.15 | |
| | | TC | 1230 | 1123 | 1026 | 938 | 871 | 1287 | 1178 | 1078 | 988 | 946 | 1322 | 1212 | 1110 | 1023 | 998 | |
| | 300 | SHC | 452 | 564 | 670 | 775 | 871 | 477 | 614 | 747 | 877 | 946 | 495 | 654 | 812 | 958 | 998 | |
| | | LDB | 60.98 | 55.64 | 50.51 | 45.50 | 40.88 | 64.27 | 59.17 | 54.18 | 49.31 | 46.64 | 66.33 | 61.37 | 56.45 | 51.84 | 50.48 | |
| | | LWB | 60.98 | 55.48 | 50.08 | 44.75 | 39.23 | 64.27 | 58.84 | 53.47 | 48.14 | 42.21 | 66.25 | 60.86 | 55.52 | 50.17 | 44.12 | |
| | 85 | 200 | KW | 59.58 | 58.44 | 57.51 | 56.76 | 56.33 | 60.31 | 59.05 | 58.01 | 57.19 | 56.89 | 60.74 | 59.44 | 58.35 | 57.53 | 57.29 |
| | | | TC | 1175 | 1076 | 984 | 900 | 841 | 1226 | 1124 | 1030 | 947 | 913 | 1257 | 1155 | 1059 | 980 | 962 |
| | | | SHC | 432 | 544 | 651 | 756 | 841 | 456 | 592 | 727 | 856 | 913 | 473 | 633 | 790 | 935 | 962 |
| 250 | | LDB | 61.81 | 56.49 | 51.34 | 46.32 | 42.19 | 64.98 | 59.90 | 54.89 | 50.04 | 47.82 | 66.94 | 61.97 | 57.07 | 52.51 | 51.54 | |
| | | LWB | 61.81 | 56.30 | 50.89 | 45.55 | 39.92 | 64.97 | 59.53 | 54.15 | 48.80 | 42.81 | 66.84 | 61.44 | 56.11 | 50.73 | 44.64 | |
| | | KW | 71.35 | 70.01 | 68.84 | 67.88 | 67.18 | 72.03 | 70.63 | 69.38 | 68.41 | 68.02 | 72.55 | 71.11 | 69.86 | 68.88 | 68.64 | |
| 300 | | TC | 1184 | 1083 | 990 | 906 | 845 | 1236 | 1133 | 1037 | 953 | 917 | 1269 | 1164 | 1067 | 986 | 967 | |
| | | SHC | 436 | 547 | 654 | 759 | 845 | 459 | 596 | 730 | 859 | 917 | 477 | 636 | 793 | 939 | 967 | |
| | | LDB | 61.68 | 56.36 | 51.22 | 46.21 | 42.03 | 64.86 | 59.79 | 54.78 | 49.93 | 47.66 | 66.83 | 61.87 | 56.97 | 52.41 | 51.40 | |
| 350 | | LWB | 61.68 | 56.18 | 50.77 | 45.44 | 39.84 | 64.86 | 59.42 | 54.05 | 48.71 | 42.73 | 66.74 | 61.35 | 56.02 | 50.65 | 44.57 | |
| | | KW | 68.74 | 67.60 | 66.65 | 65.82 | 65.21 | 69.38 | 68.13 | 67.11 | 66.25 | 65.92 | 69.84 | 68.54 | 67.46 | 66.66 | 66.44 | |
| | | TC | 1190 | 1088 | 994 | 909 | 847 | 1243 | 1138 | 1042 | 956 | 920 | 1276 | 1170 | 1072 | 990 | 971 | |
| 85 | 200 | SHC | 438 | 549 | 656 | 760 | 847 | 462 | 598 | 732 | 861 | 920 | 479 | 639 | 796 | 941 | 971 | |
| | | LDB | 61.59 | 56.27 | 51.14 | 46.13 | 41.92 | 64.79 | 59.72 | 54.71 | 49.87 | 47.55 | 66.76 | 61.81 | 56.91 | 52.35 | 51.30 | |
| | | LWB | 61.59 | 56.10 | 50.69 | 45.37 | 39.78 | 64.78 | 59.35 | 53.99 | 48.65 | 42.67 | 66.67 | 61.29 | 55.96 | 50.59 | 44.52 | |
| | 250 | KW | 67.06 | 66.02 | 65.17 | 64.46 | 63.96 | 67.61 | 66.51 | 65.56 | 64.82 | 64.54 | 68.02 | 66.89 | 65.89 | 65.18 | 64.97 | |
| | | TC | 1194 | 1091 | 997 | 911 | 849 | 1248 | 1142 | 1045 | 959 | 922 | 1281 | 1175 | 1075 | 993 | 973 | |
| | | SHC | 439 | 550 | 657 | 761 | 849 | 463 | 599 | 733 | 862 | 922 | 481 | 640 | 797 | 942 | 973 | |
| | 300 | LDB | 61.53 | 56.21 | 51.09 | 46.08 | 41.85 | 64.73 | 59.67 | 54.66 | 49.82 | 47.48 | 66.71 | 61.77 | 56.87 | 52.31 | 51.23 | |
| | | LWB | 61.53 | 56.04 | 50.64 | 45.32 | 39.74 | 64.72 | 59.30 | 53.94 | 48.60 | 42.64 | 66.63 | 61.24 | 55.92 | 50.56 | 44.48 | |
| | | KW | 65.83 | 64.88 | 64.12 | 63.52 | 63.04 | 66.38 | 65.33 | 64.48 | 63.82 | 63.59 | 66.77 | 65.67 | 64.77 | 64.13 | 63.95 | |

LEGEND

- BF — Bypass Factor
- EDB — Entering Dry Bulb (F)
- EWB — Entering Wet Bulb (F)
- EWT — Entering Water Temperature (F)
- KW — Compressor Motor Power Input (kilowatts)
- LDB — Leaving Dry Bulb (F)
- LWB — Leaving Wet Bulb (F)
- SHC — Sensible Capacity (1000 Btu/hr)
- TC — Total Capacity (1000 Btu/hr)



GROSS COOLING CAPACITIES (cont)

50XJF094 WITH (2) 15 HP COMPRESSORS AND (2) 25 HP COMPRESSORS (cont)

| EWT (F) | GPM | BF | AIR ENTERING EVAPORATOR — CFM AT 80 F EDB | | | | | | | | | | | | | | |
|---------|-------|-------|---|-------|-------|-------|-------|--------|-------|-------|-------|-------|--------|-------|-------|-------|-------|
| | | | 20,400 | | | | | 26,000 | | | | | 31,000 | | | | |
| | | | Air Entering Evaporator — Ewb (F) | | | | | | | | | | | | | | |
| | | | 77 | 72 | 67 | 62 | 57 | 77 | 72 | 67 | 62 | 57 | 77 | 72 | 67 | 62 | 57 |
| 0.001 | 0.052 | 0.054 | 0.054 | 0.109 | 0.019 | 0.072 | 0.072 | 0.08 | 0.241 | 0.057 | 0.088 | 0.087 | 0.11 | 0.329 | | | |
| 95 | 200 | TC | 1134 | 1038 | 949 | 869 | 818 | 1181 | 1084 | 993 | 914 | 886 | 1211 | 1112 | 1020 | 944 | 933 |
| | | SHC | 418 | 529 | 636 | 740 | 818 | 440 | 577 | 711 | 839 | 886 | 458 | 617 | 774 | 915 | 933 |
| | | LDB | 62.45 | 57.15 | 52.02 | 47.02 | 43.26 | 65.50 | 60.43 | 55.43 | 50.62 | 48.78 | 67.36 | 62.42 | 57.53 | 53.09 | 52.42 |
| | 250 | LWB | 62.45 | 56.96 | 51.56 | 46.22 | 40.48 | 65.47 | 60.04 | 54.68 | 49.32 | 43.28 | 67.26 | 61.87 | 56.55 | 51.18 | 45.06 |
| | | KW | 79.65 | 78.16 | 76.89 | 75.84 | 75.14 | 80.39 | 78.88 | 77.54 | 76.50 | 76.08 | 80.95 | 79.42 | 78.04 | 76.89 | 76.80 |
| | | TC | 1144 | 1046 | 956 | 874 | 821 | 1192 | 1093 | 1000 | 920 | 890 | 1223 | 1122 | 1028 | 951 | 938 |
| | 300 | SHC | 421 | 532 | 639 | 743 | 821 | 444 | 580 | 714 | 842 | 890 | 461 | 621 | 778 | 919 | 938 |
| | | LDB | 62.30 | 57.01 | 51.88 | 46.89 | 43.09 | 65.37 | 60.31 | 55.31 | 50.51 | 48.61 | 67.26 | 62.31 | 57.42 | 52.97 | 52.25 |
| | | LWB | 62.30 | 56.82 | 51.43 | 46.11 | 40.39 | 65.35 | 59.92 | 54.57 | 49.22 | 43.20 | 67.15 | 61.77 | 56.46 | 51.10 | 44.98 |
| | 350 | KW | 76.81 | 75.58 | 74.50 | 73.58 | 72.99 | 77.46 | 76.15 | 75.05 | 74.13 | 73.77 | 77.95 | 76.60 | 75.46 | 74.50 | 74.39 |
| | | TC | 1150 | 1051 | 960 | 878 | 824 | 1199 | 1099 | 1005 | 924 | 894 | 1231 | 1129 | 1034 | 955 | 942 |
| | | SHC | 423 | 534 | 641 | 745 | 824 | 447 | 583 | 716 | 844 | 894 | 464 | 623 | 780 | 922 | 942 |
| 105 | 200 | LDB | 62.20 | 56.91 | 51.80 | 46.81 | 42.97 | 65.29 | 60.23 | 55.24 | 50.44 | 48.50 | 67.18 | 62.25 | 57.35 | 52.90 | 52.14 |
| | | LWB | 62.20 | 56.73 | 51.34 | 46.03 | 40.33 | 65.27 | 59.85 | 54.50 | 49.16 | 43.14 | 67.08 | 61.71 | 56.39 | 51.04 | 44.93 |
| | | KW | 74.97 | 73.84 | 72.90 | 72.12 | 71.62 | 75.53 | 74.36 | 73.36 | 72.58 | 72.27 | 75.95 | 74.77 | 73.74 | 72.90 | 72.81 |
| 250 | TC | 1155 | 1055 | 963 | 880 | 826 | 1204 | 1103 | 1009 | 927 | 896 | 1236 | 1133 | 1038 | 958 | 945 | |
| | SHC | 425 | 536 | 642 | 746 | 826 | 448 | 584 | 718 | 846 | 896 | 466 | 625 | 781 | 924 | 945 | |
| | LDB | 62.13 | 56.85 | 51.74 | 46.76 | 42.90 | 65.23 | 60.18 | 55.19 | 50.39 | 48.42 | 67.13 | 62.20 | 57.31 | 52.85 | 52.06 | |
| 300 | LWB | 62.13 | 56.66 | 51.28 | 45.97 | 40.29 | 65.21 | 59.80 | 54.45 | 49.11 | 43.11 | 67.03 | 61.66 | 56.35 | 51.00 | 44.89 | |
| | KW | 73.62 | 72.61 | 71.77 | 71.08 | 70.61 | 74.15 | 73.06 | 72.17 | 71.49 | 71.21 | 74.56 | 73.43 | 72.51 | 71.77 | 71.70 | |
| | TC | 1090 | 997 | 912 | 835 | 792 | 1134 | 1040 | 953 | 877 | 856 | 1160 | 1065 | 977 | 906 | 900 | |
| 105 | 200 | SHC | 402 | 512 | 619 | 723 | 792 | 424 | 560 | 694 | 821 | 856 | 441 | 600 | 756 | 893 | 900 |
| | | LDB | 63.11 | 57.85 | 52.77 | 47.75 | 44.41 | 66.03 | 60.99 | 56.00 | 51.25 | 49.81 | 67.82 | 62.90 | 58.04 | 53.74 | 53.39 |
| | | LWB | 63.11 | 57.64 | 52.25 | 46.92 | 41.08 | 65.99 | 60.58 | 55.23 | 49.88 | 43.80 | 67.71 | 62.35 | 57.04 | 51.65 | 45.53 |
| 250 | KW | 88.90 | 87.27 | 85.84 | 84.63 | 83.97 | 89.77 | 88.11 | 86.64 | 85.37 | 85.04 | 90.30 | 88.58 | 87.06 | 85.82 | 85.77 | |
| | TC | 1100 | 1006 | 919 | 841 | 796 | 1145 | 1050 | 961 | 884 | 861 | 1173 | 1076 | 985 | 913 | 906 | |
| | SHC | 405 | 516 | 622 | 726 | 796 | 428 | 564 | 697 | 824 | 861 | 445 | 604 | 760 | 898 | 906 | |
| 300 | LDB | 62.96 | 57.70 | 52.62 | 47.62 | 44.23 | 65.90 | 60.86 | 55.88 | 51.13 | 49.63 | 67.71 | 62.79 | 57.92 | 53.61 | 53.21 | |
| | LWB | 62.96 | 57.50 | 52.12 | 46.80 | 40.99 | 65.87 | 60.46 | 55.12 | 49.77 | 43.71 | 67.60 | 62.24 | 56.94 | 51.56 | 45.44 | |
| | KW | 85.83 | 84.48 | 83.26 | 82.19 | 81.63 | 86.57 | 85.16 | 83.92 | 82.88 | 82.52 | 87.07 | 85.57 | 84.28 | 83.27 | 83.15 | |
| 105 | 200 | TC | 1107 | 1011 | 924 | 845 | 799 | 1153 | 1056 | 966 | 889 | 865 | 1181 | 1083 | 991 | 918 | 910 |
| | | SHC | 408 | 518 | 624 | 728 | 799 | 431 | 566 | 700 | 827 | 865 | 448 | 606 | 762 | 900 | 910 |
| | | LDB | 62.86 | 57.61 | 52.53 | 47.54 | 44.11 | 65.82 | 60.78 | 55.81 | 51.05 | 49.51 | 67.63 | 62.72 | 57.85 | 53.53 | 53.09 |
| 250 | LWB | 62.86 | 57.40 | 52.03 | 46.72 | 40.92 | 65.78 | 60.38 | 55.05 | 49.71 | 43.65 | 67.52 | 62.17 | 56.88 | 51.51 | 45.38 | |
| | KW | 83.83 | 82.60 | 81.54 | 80.62 | 80.15 | 84.50 | 83.22 | 82.11 | 81.23 | 80.90 | 84.93 | 83.61 | 82.43 | 81.53 | 81.45 | |
| | TC | 1111 | 1015 | 927 | 847 | 801 | 1158 | 1060 | 970 | 892 | 867 | 1187 | 1088 | 995 | 921 | 913 | |
| 300 | SHC | 410 | 520 | 626 | 730 | 801 | 432 | 568 | 701 | 828 | 867 | 450 | 608 | 764 | 902 | 913 | |
| | LDB | 62.79 | 57.54 | 52.47 | 47.48 | 44.02 | 65.76 | 60.72 | 55.76 | 51.00 | 49.43 | 67.58 | 62.67 | 57.81 | 53.47 | 53.01 | |
| | LWB | 62.79 | 57.34 | 51.97 | 46.67 | 40.88 | 65.73 | 60.33 | 55.00 | 49.66 | 43.61 | 67.47 | 62.12 | 56.83 | 51.47 | 45.34 | |
| 105 | 200 | KW | 82.37 | 81.26 | 80.32 | 79.51 | 79.06 | 82.97 | 81.81 | 80.83 | 80.07 | 79.75 | 83.41 | 82.18 | 81.12 | 80.32 | 80.24 |

LEGEND

- BF** — Bypass Factor
- EDB** — Entering Dry Bulb (F)
- EWB** — Entering Wet Bulb (F)
- EWT** — Entering Water Temperature (F)
- kW** — Compressor Motor Power Input (kilowatts)
- LDB** — Leaving Dry Bulb (F)
- LWB** — Leaving Wet Bulb (F)
- SHC** — Sensible Capacity (1000 Btu/hr)
- TC** — Total Capacity (1000 Btu/hr)

Performance data (cont)



GROSS COOLING CAPACITIES (cont)

50XJA104 WITH (2) 15 HP COMPRESSORS AND (2) 20 HP COMPRESSORS

| EWT (F) | GPM | BF | AIR ENTERING EVAPORATOR — CFM AT 80 F EDB | | | | | | | | | | | | | | |
|---------|-------|-------|---|-------|-------|-------|-------|--------|-------|-------|-------|-------|--------|-------|-------|-------|-------|
| | | | 22,300 | | | | | 28,000 | | | | | 33,500 | | | | |
| | | | Air Entering Evaporator — Ewb (F) | | | | | | | | | | | | | | |
| | | | 77 | 72 | 67 | 62 | 57 | 77 | 72 | 67 | 62 | 57 | 77 | 72 | 67 | 62 | 57 |
| 0.001 | 0.054 | 0.054 | 0.058 | 0.198 | 0.046 | 0.072 | 0.071 | 0.091 | 0.314 | 0.07 | 0.087 | 0.087 | 0.142 | 0.389 | | | |
| 65 | 175 | TC | 1196 | 1095 | 1002 | 919 | 871 | 1241 | 1138 | 1045 | 963 | 937 | 1271 | 1167 | 1071 | 995 | 986 |
| | | SHC | 441 | 562 | 679 | 793 | 871 | 463 | 610 | 755 | 892 | 937 | 482 | 654 | 823 | 973 | 986 |
| | | LDB | 63.05 | 57.78 | 52.67 | 47.65 | 44.19 | 65.84 | 60.77 | 55.77 | 50.98 | 49.33 | 67.69 | 62.75 | 57.87 | 53.53 | 53.02 |
| | | LWB | 63.05 | 57.57 | 52.16 | 46.81 | 40.96 | 65.79 | 60.37 | 54.99 | 49.62 | 43.56 | 67.57 | 62.20 | 56.88 | 51.48 | 45.35 |
| | kW | 52.44 | 51.07 | 49.89 | 48.90 | 48.42 | 53.24 | 51.70 | 50.62 | 49.48 | 49.19 | 53.70 | 52.14 | 50.85 | 49.92 | 48.82 | |
| | 219 | TC | 1204 | 1102 | 1007 | 923 | 874 | 1250 | 1146 | 1050 | 968 | 941 | 1281 | 1176 | 1078 | 1000 | 990 |
| | | SHC | 444 | 564 | 681 | 795 | 874 | 466 | 613 | 757 | 895 | 941 | 485 | 657 | 826 | 976 | 990 |
| | | LDB | 62.94 | 57.68 | 52.58 | 47.57 | 44.07 | 65.74 | 60.68 | 55.68 | 50.90 | 49.21 | 67.61 | 62.67 | 57.79 | 53.45 | 52.90 |
| | | LWB | 62.94 | 57.46 | 52.07 | 46.73 | 40.90 | 65.70 | 60.28 | 54.93 | 49.55 | 43.50 | 67.49 | 62.12 | 56.81 | 51.42 | 45.29 |
| | kW | 50.95 | 49.54 | 48.43 | 47.52 | 47.04 | 51.66 | 50.14 | 48.96 | 48.07 | 47.74 | 52.15 | 50.64 | 49.33 | 48.41 | 48.32 | |
| | 263 | TC | 1209 | 1106 | 1011 | 926 | 876 | 1256 | 1151 | 1053 | 971 | 943 | 1288 | 1181 | 1082 | 1003 | 993 |
| | | SHC | 446 | 566 | 682 | 797 | 876 | 468 | 615 | 759 | 896 | 943 | 487 | 659 | 828 | 978 | 993 |
| LDB | | 62.86 | 57.61 | 52.53 | 47.51 | 43.99 | 65.68 | 60.63 | 55.63 | 50.85 | 49.13 | 67.55 | 62.62 | 57.75 | 53.39 | 52.82 | |
| LWB | | 62.86 | 57.40 | 52.01 | 46.68 | 40.86 | 65.64 | 60.22 | 54.88 | 49.51 | 43.46 | 67.43 | 62.07 | 56.76 | 51.38 | 45.25 | |
| kW | 49.86 | 48.56 | 47.47 | 46.58 | 46.13 | 50.53 | 49.14 | 47.98 | 47.09 | 46.78 | 51.03 | 49.57 | 48.35 | 47.45 | 47.35 | | |
| 306 | TC | 1213 | 1109 | 1013 | 927 | 877 | 1260 | 1154 | 1056 | 973 | 944 | 1292 | 1185 | 1085 | 1006 | 995 | |
| | SHC | 447 | 567 | 684 | 798 | 877 | 470 | 616 | 760 | 897 | 944 | 489 | 660 | 829 | 979 | 995 | |
| | LDB | 62.81 | 57.57 | 52.46 | 47.47 | 43.94 | 65.64 | 60.59 | 55.59 | 50.82 | 49.08 | 67.51 | 62.58 | 57.71 | 53.36 | 52.77 | |
| | LWB | 62.81 | 57.35 | 51.98 | 46.64 | 40.84 | 65.60 | 60.19 | 54.84 | 49.48 | 43.43 | 67.39 | 62.03 | 56.73 | 51.35 | 45.23 | |
| kW | 49.17 | 47.86 | 46.80 | 45.95 | 45.53 | 49.80 | 48.45 | 47.29 | 46.43 | 46.14 | 50.27 | 48.88 | 47.65 | 46.78 | 46.68 | | |
| 75 | 175 | TC | 1162 | 1065 | 974 | 894 | 852 | 1205 | 1106 | 1014 | 935 | 915 | 1232 | 1132 | 1039 | 967 | 961 |
| | | SHC | 429 | 550 | 666 | 781 | 852 | 451 | 598 | 742 | 879 | 915 | 469 | 641 | 810 | 956 | 961 |
| | | LDB | 63.51 | 58.26 | 53.16 | 48.14 | 44.99 | 66.21 | 61.15 | 56.16 | 51.42 | 50.04 | 68.02 | 63.08 | 58.22 | 53.99 | 53.69 |
| | | LWB | 63.51 | 58.03 | 52.64 | 47.28 | 41.38 | 66.15 | 60.74 | 55.39 | 50.01 | 43.91 | 67.89 | 62.52 | 57.21 | 51.80 | 45.67 |
| | kW | 57.51 | 56.18 | 55.04 | 54.20 | 53.80 | 58.20 | 56.79 | 55.59 | 54.69 | 54.48 | 58.64 | 57.16 | 55.92 | 55.02 | 54.97 | |
| | 219 | TC | 1171 | 1072 | 980 | 899 | 855 | 1215 | 1114 | 1021 | 941 | 919 | 1243 | 1141 | 1046 | 973 | 966 |
| | | SHC | 432 | 553 | 669 | 783 | 855 | 454 | 601 | 745 | 881 | 919 | 472 | 644 | 813 | 959 | 966 |
| | | LDB | 63.39 | 58.14 | 53.05 | 48.05 | 44.85 | 66.11 | 61.06 | 56.07 | 51.34 | 49.90 | 67.92 | 63.00 | 58.13 | 53.90 | 53.55 |
| | | LWB | 63.39 | 57.92 | 52.53 | 47.19 | 41.30 | 66.06 | 60.65 | 55.30 | 49.93 | 43.84 | 67.80 | 62.44 | 57.14 | 51.73 | 45.61 |
| | kW | 55.53 | 54.28 | 53.27 | 52.42 | 52.08 | 56.17 | 54.86 | 53.76 | 52.90 | 52.64 | 56.60 | 55.22 | 54.05 | 53.25 | 53.18 | |
| | 263 | TC | 1177 | 1076 | 984 | 902 | 857 | 1221 | 1119 | 1025 | 945 | 922 | 1251 | 1147 | 1051 | 976 | 970 |
| | | SHC | 434 | 554 | 671 | 785 | 857 | 456 | 603 | 747 | 883 | 922 | 475 | 646 | 815 | 961 | 970 |
| LDB | | 63.31 | 58.08 | 52.99 | 47.99 | 44.75 | 66.04 | 61.00 | 56.01 | 51.28 | 49.81 | 67.86 | 62.94 | 58.08 | 53.84 | 53.46 | |
| LWB | | 63.31 | 57.85 | 52.47 | 47.13 | 41.25 | 65.99 | 60.59 | 55.25 | 49.88 | 43.80 | 67.74 | 62.38 | 57.09 | 51.69 | 45.56 | |
| kW | 54.24 | 53.09 | 52.10 | 51.32 | 50.95 | 54.84 | 53.63 | 52.58 | 51.77 | 51.55 | 55.25 | 53.96 | 52.87 | 52.08 | 52.01 | | |
| 306 | TC | 1181 | 1080 | 987 | 904 | 859 | 1226 | 1123 | 1028 | 947 | 924 | 1255 | 1151 | 1054 | 979 | 972 | |
| | SHC | 436 | 556 | 672 | 786 | 859 | 458 | 604 | 748 | 884 | 924 | 476 | 648 | 817 | 963 | 972 | |
| | LDB | 63.25 | 58.03 | 52.95 | 47.95 | 44.69 | 66.00 | 60.96 | 55.97 | 51.24 | 49.75 | 67.82 | 62.90 | 58.04 | 53.79 | 53.40 | |
| | LWB | 63.25 | 57.80 | 52.43 | 47.09 | 41.22 | 65.95 | 60.54 | 55.21 | 49.85 | 43.77 | 67.70 | 62.35 | 57.05 | 51.66 | 45.53 | |
| kW | 53.38 | 52.24 | 51.31 | 50.58 | 50.26 | 53.97 | 52.76 | 51.76 | 51.00 | 50.78 | 54.37 | 53.10 | 52.04 | 51.29 | 51.22 | | |
| 85 | 175 | TC | 1125 | 1031 | 943 | 866 | 829 | 1165 | 1069 | 980 | 905 | 890 | 1190 | 1093 | 1003 | 937 | 935 |
| | | SHC | 416 | 536 | 653 | 767 | 829 | 437 | 584 | 728 | 862 | 890 | 455 | 627 | 795 | 937 | 935 |
| | | LDB | 64.00 | 58.79 | 53.70 | 48.71 | 45.93 | 66.62 | 61.59 | 56.61 | 51.94 | 50.86 | 68.37 | 63.45 | 58.61 | 54.50 | 54.42 |
| | | LWB | 64.00 | 58.54 | 53.16 | 47.80 | 41.86 | 66.56 | 61.16 | 55.82 | 50.45 | 44.31 | 68.23 | 62.88 | 57.58 | 52.15 | 46.02 |
| | kW | 63.82 | 62.55 | 61.44 | 60.58 | 60.15 | 64.46 | 63.12 | 61.96 | 61.04 | 60.89 | 64.83 | 63.43 | 62.27 | 61.45 | 61.42 | |
| | 219 | TC | 1135 | 1039 | 950 | 871 | 833 | 1176 | 1078 | 987 | 911 | 895 | 1202 | 1103 | 1011 | 942 | 940 |
| | | SHC | 420 | 539 | 656 | 770 | 833 | 441 | 587 | 731 | 866 | 895 | 459 | 630 | 799 | 942 | 940 |
| | | LDB | 63.88 | 58.66 | 53.58 | 48.60 | 45.76 | 66.51 | 61.48 | 56.50 | 51.84 | 50.70 | 68.27 | 63.36 | 58.51 | 54.35 | 54.28 |
| | | LWB | 63.88 | 58.42 | 53.05 | 47.70 | 41.77 | 66.45 | 61.06 | 55.73 | 50.36 | 44.23 | 68.14 | 62.79 | 57.50 | 52.08 | 45.95 |
| | kW | 61.36 | 60.25 | 59.34 | 58.58 | 58.23 | 61.95 | 60.75 | 59.76 | 58.98 | 58.85 | 62.29 | 61.03 | 60.00 | 59.32 | 59.29 | |
| | 263 | TC | 1141 | 1044 | 954 | 875 | 835 | 1183 | 1084 | 992 | 915 | 898 | 1209 | 1109 | 1016 | 946 | 944 |
| | | SHC | 422 | 541 | 658 | 771 | 835 | 443 | 589 | 733 | 868 | 898 | 461 | 633 | 801 | 946 | 944 |
| LDB | | 63.79 | 58.59 | 53.51 | 48.53 | 45.66 | 66.44 | 61.41 | 56.44 | 51.77 | 50.59 | 68.21 | 63.30 | 58.45 | 54.25 | 54.18 | |
| LWB | | 63.79 | 58.35 | 52.98 | 47.64 | 41.72 | 66.38 | 60.99 | 55.67 | 50.31 | 44.18 | 68.08 | 62.73 | 57.44 | 52.04 | 45.90 | |
| kW | 59.75 | 58.75 | 57.92 | 57.28 | 56.98 | 60.27 | 59.22 | 58.31 | 57.62 | 57.51 | 60.64 | 59.48 | 58.53 | 57.90 | 57.87 | | |
| 306 | TC | 1145 | 1047 | 957 | 877 | 837 | 1188 | 1088 | 995 | 918 | 900 | 1214 | 1114 | 1020 | 949 | 946 | |
| | SHC | 423 | 543 | 659 | 773 | 837 | 445 | 591 | 735 | 869 | 900 | 463 | 634 | 802 | 949 | 946 | |
| | LDB | 63.74 | 58.54 | 53.47 | 48.48 | 45.58 | 66.39 | 61.36 | 56.40 | 51.73 | 50.52 | 68.17 | 63.26 | 58.41 | 54.18 | 54.11 | |
| | LWB | 63.74 | 58.30 | 52.93 | 47.60 | 41.68 | 66.33 | 60.94 | 55.62 | 50.27 | 44.14 | 68.03 | 62.69 | 57.41 | 52.01 | 45.87 | |
| kW | 58.70 | 57.69 | 56.95 | 56.39 | 56.12 | 59.27 | 58.13 | 57.30 | 56.68 | 56.59 | 59.60 | 58.41 | 57.50 | 56.92 | 56.90 | | |

LEGEND

- | | |
|---|---------------------------------------|
| BF — Bypass Factor | LDB — Leaving Dry Bulb (F) |
| EDB — Entering Dry Bulb (F) | LWB — Leaving Wet Bulb (F) |
| EWB — Entering Wet Bulb (F) | SHC — Sensible Capacity (1000 Btu/hr) |
| EWT — Entering Water Temperature (F) | TC — Total Capacity (1000 Btu/hr) |
| kW — Compressor Motor Power Input (kilowatts) | |



GROSS COOLING CAPACITIES (cont)

50XJA104 WITH (2) 15 HP COMPRESSORS AND (2) 20 HP COMPRESSORS (cont)

| EWT (F) | GPM | BF | AIR ENTERING EVAPORATOR — CFM AT 80 F EDB | | | | | | | | | | | | | | |
|---------|-------|-------|---|-------|-------|-------|-------|--------|-------|-------|-------|-------|--------|-------|-------|-------|-------|
| | | | 22,300 | | | | | 28,000 | | | | | 33,500 | | | | |
| | | | Air Entering Evaporator — Ewb (F) | | | | | | | | | | | | | | |
| | | | 77 | 72 | 67 | 62 | 57 | 77 | 72 | 67 | 62 | 57 | 77 | 72 | 67 | 62 | 57 |
| 0.001 | 0.054 | 0.054 | 0.058 | 0.198 | 0.046 | 0.072 | 0.071 | 0.091 | 0.314 | 0.07 | 0.087 | 0.087 | 0.142 | 0.389 | | | |
| 95 | 175 | TC | 1085 | 994 | 910 | 836 | 804 | 1121 | 1028 | 942 | 872 | 862 | 1144 | 1051 | 965 | 906 | 905 |
| | | SHC | 402 | 522 | 638 | 752 | 804 | 423 | 569 | 712 | 845 | 862 | 440 | 611 | 779 | 906 | 905 |
| | | LDB | 64.54 | 59.36 | 54.29 | 49.31 | 46.93 | 67.08 | 62.05 | 57.10 | 52.51 | 51.78 | 68.75 | 63.85 | 59.03 | 55.33 | 55.23 |
| | 219 | LWB | 64.54 | 59.10 | 53.72 | 48.36 | 42.37 | 67.00 | 61.62 | 56.29 | 50.91 | 44.76 | 68.60 | 63.26 | 57.97 | 52.50 | 46.40 |
| | | KW | 71.23 | 69.87 | 68.68 | 67.76 | 67.30 | 71.82 | 70.40 | 69.17 | 68.17 | 68.07 | 72.22 | 70.79 | 69.52 | 68.74 | 68.73 |
| | | TC | 1095 | 1002 | 917 | 841 | 809 | 1132 | 1038 | 950 | 879 | 867 | 1156 | 1061 | 973 | 912 | 911 |
| | 263 | SHC | 406 | 525 | 641 | 755 | 809 | 426 | 572 | 716 | 848 | 867 | 444 | 615 | 783 | 912 | 911 |
| | | LDB | 64.41 | 59.23 | 54.16 | 49.20 | 46.76 | 66.96 | 61.94 | 56.98 | 52.40 | 51.61 | 68.65 | 63.75 | 58.92 | 55.17 | 55.07 |
| | | LWB | 64.41 | 58.97 | 53.61 | 48.26 | 42.28 | 66.89 | 61.51 | 56.20 | 50.82 | 44.68 | 68.50 | 63.17 | 57.88 | 52.43 | 46.33 |
| | 306 | KW | 68.51 | 67.35 | 66.38 | 65.57 | 65.17 | 69.05 | 67.81 | 66.77 | 65.95 | 65.83 | 69.40 | 68.12 | 67.05 | 66.41 | 66.37 |
| | | TC | 1101 | 1008 | 921 | 845 | 811 | 1139 | 1044 | 955 | 883 | 871 | 1164 | 1068 | 978 | 916 | 915 |
| | | SHC | 408 | 527 | 643 | 757 | 811 | 429 | 575 | 718 | 850 | 871 | 447 | 618 | 785 | 916 | 915 |
| 105 | 175 | LDB | 64.32 | 59.14 | 54.08 | 49.12 | 46.65 | 66.89 | 61.87 | 56.91 | 52.33 | 51.50 | 68.58 | 63.69 | 58.87 | 55.06 | 54.96 |
| | | LWB | 64.32 | 58.89 | 53.53 | 48.19 | 42.22 | 66.81 | 61.44 | 56.13 | 50.76 | 44.62 | 68.44 | 63.11 | 57.83 | 52.38 | 46.28 |
| | | KW | 66.75 | 65.70 | 64.83 | 64.15 | 63.81 | 67.22 | 66.12 | 65.17 | 64.47 | 64.37 | 67.52 | 66.40 | 65.42 | 64.84 | 64.82 |
| | 219 | TC | 1106 | 1011 | 924 | 848 | 813 | 1145 | 1049 | 959 | 885 | 873 | 1169 | 1073 | 982 | 919 | 918 |
| | | SHC | 410 | 529 | 645 | 758 | 813 | 431 | 576 | 720 | 852 | 873 | 448 | 619 | 787 | 919 | 918 |
| | | LDB | 64.26 | 59.09 | 54.03 | 49.08 | 46.57 | 66.83 | 61.82 | 56.87 | 52.28 | 51.42 | 68.54 | 63.64 | 58.82 | 54.98 | 54.89 |
| | 263 | LWB | 64.26 | 58.83 | 53.48 | 48.15 | 42.18 | 66.76 | 61.39 | 56.09 | 50.72 | 44.58 | 68.40 | 63.07 | 57.79 | 52.35 | 46.24 |
| | | KW | 65.49 | 64.53 | 63.76 | 63.17 | 62.86 | 65.95 | 64.92 | 64.07 | 63.44 | 63.36 | 66.24 | 65.17 | 64.29 | 63.76 | 63.75 |
| | | TC | 1041 | 954 | 873 | 802 | 778 | 1074 | 985 | 903 | 838 | 832 | 1096 | 1007 | 924 | 874 | 873 |
| | 306 | SHC | 388 | 507 | 622 | 735 | 778 | 407 | 553 | 696 | 824 | 832 | 424 | 595 | 762 | 874 | 873 |
| | | LDB | 65.11 | 59.95 | 54.91 | 49.99 | 48.01 | 67.55 | 62.55 | 57.62 | 53.17 | 52.75 | 69.15 | 64.27 | 59.47 | 56.22 | 56.12 |
| | | LWB | 65.11 | 59.69 | 54.33 | 48.98 | 42.91 | 67.47 | 62.10 | 56.79 | 51.39 | 45.23 | 68.99 | 63.66 | 58.38 | 52.87 | 46.82 |
| 105 | 175 | KW | 79.54 | 78.02 | 76.69 | 75.59 | 75.25 | 80.09 | 78.55 | 77.20 | 76.15 | 76.09 | 80.52 | 78.98 | 77.62 | 76.80 | 76.79 |
| | | TC | 1052 | 963 | 880 | 808 | 783 | 1085 | 995 | 911 | 845 | 838 | 1108 | 1017 | 932 | 880 | 879 |
| | | SHC | 391 | 510 | 626 | 738 | 783 | 411 | 557 | 700 | 828 | 838 | 428 | 599 | 766 | 880 | 879 |
| | 219 | LDB | 64.97 | 59.82 | 54.77 | 49.86 | 47.83 | 67.44 | 62.43 | 57.49 | 53.04 | 52.58 | 69.04 | 64.17 | 59.37 | 56.05 | 55.95 |
| | | LWB | 64.97 | 59.55 | 54.21 | 48.88 | 42.82 | 67.35 | 61.99 | 56.69 | 51.30 | 45.14 | 68.89 | 63.57 | 58.29 | 52.80 | 46.74 |
| | | KW | 76.60 | 75.33 | 74.21 | 73.26 | 72.93 | 77.07 | 75.75 | 74.61 | 73.74 | 73.64 | 77.46 | 76.11 | 74.96 | 74.27 | 74.26 |
| | 263 | TC | 1059 | 969 | 885 | 812 | 786 | 1093 | 1001 | 916 | 849 | 841 | 1116 | 1024 | 938 | 884 | 883 |
| | | SHC | 394 | 512 | 628 | 740 | 786 | 413 | 559 | 702 | 831 | 841 | 431 | 602 | 768 | 884 | 883 |
| | | LDB | 64.88 | 59.73 | 54.69 | 49.78 | 47.71 | 67.36 | 62.36 | 57.42 | 52.96 | 52.46 | 68.98 | 64.10 | 59.31 | 55.93 | 55.83 |
| | 306 | LWB | 64.88 | 59.47 | 54.13 | 48.80 | 42.76 | 67.28 | 61.92 | 56.62 | 51.24 | 45.09 | 68.82 | 63.51 | 58.24 | 52.75 | 46.68 |
| | | KW | 74.67 | 73.54 | 72.56 | 71.74 | 71.45 | 75.11 | 73.92 | 72.89 | 72.14 | 72.06 | 75.43 | 74.23 | 73.19 | 72.60 | 72.59 |
| | | TC | 1064 | 973 | 889 | 815 | 788 | 1098 | 1006 | 920 | 852 | 844 | 1122 | 1029 | 942 | 887 | 886 |
| 306 | SHC | 395 | 514 | 629 | 742 | 788 | 415 | 561 | 703 | 832 | 844 | 433 | 603 | 770 | 887 | 886 | |
| | LDB | 64.82 | 59.67 | 54.63 | 49.73 | 47.62 | 67.30 | 62.31 | 57.38 | 52.90 | 52.37 | 68.93 | 64.06 | 59.27 | 55.85 | 55.74 | |
| | LWB | 64.82 | 59.41 | 54.07 | 48.75 | 42.71 | 67.22 | 61.87 | 56.57 | 51.20 | 45.04 | 68.78 | 63.47 | 58.20 | 52.71 | 46.64 | |
| 306 | KW | 73.30 | 72.28 | 71.42 | 70.69 | 70.42 | 73.71 | 72.62 | 71.70 | 71.05 | 70.97 | 74.02 | 72.91 | 71.97 | 71.45 | 71.44 | |

LEGEND

- BF** — Bypass Factor
- EDB** — Entering Dry Bulb (F)
- EWB** — Entering Wet Bulb (F)
- EWT** — Entering Water Temperature (F)
- kW** — Compressor Motor Power Input (kilowatts)
- LDB** — Leaving Dry Bulb (F)
- LWB** — Leaving Wet Bulb (F)
- SHC** — Sensible Capacity (1000 Btu/hr)
- TC** — Total Capacity (1000 Btu/hr)

Performance data (cont)



GROSS COOLING CAPACITIES (cont)

50XJB104 WITH (2) 13 HP COMPRESSORS AND (2) 25 HP COMPRESSORS

| EWT (F) | GPM | BF | AIR ENTERING EVAPORATOR — CFM AT 80 F EDB | | | | | | | | | | | | | | | |
|------------|-------|-------|---|-------|-------|-------|-------|--------|-------|-------|-------|-------|--------|-------|-------|-------|-------|-------|
| | | | 22,300 | | | | | 28,000 | | | | | 33,500 | | | | | |
| | | | Air Entering Evaporator — Ewb (F) | | | | | | | | | | | | | | | |
| | | | 77 | 72 | 67 | 62 | 57 | 77 | 72 | 67 | 62 | 57 | 77 | 72 | 67 | 62 | 57 | |
| 0.001 | 0.054 | 0.054 | 0.057 | 0.184 | 0.043 | 0.071 | 0.071 | 0.087 | 0.301 | 0.068 | 0.087 | 0.087 | 0.133 | 0.386 | | | | |
| 65 | 190 | TC | 1223 | 1120 | 1024 | 939 | 886 | 1270 | 1165 | 1068 | 984 | 954 | 1302 | 1196 | 1097 | 1017 | 1005 | |
| | | SHC | 451 | 572 | 689 | 803 | 886 | 473 | 620 | 765 | 903 | 954 | 492 | 664 | 834 | 986 | 1005 | |
| | | LDB | 62.67 | 57.39 | 52.25 | 47.25 | 43.58 | 65.53 | 60.45 | 55.44 | 50.64 | 48.77 | 67.43 | 62.48 | 57.59 | 53.17 | 52.49 | |
| | 238 | LWB | 62.67 | 57.18 | 51.78 | 46.43 | 40.65 | 65.49 | 60.06 | 54.69 | 49.32 | 43.28 | 67.31 | 61.93 | 56.61 | 51.22 | 45.10 | |
| | | KW | 54.32 | 52.84 | 51.66 | 50.64 | 50.06 | 54.94 | 53.53 | 52.25 | 51.22 | 50.84 | 55.49 | 53.93 | 52.62 | 51.64 | 51.51 | |
| | | TC | 1231 | 1126 | 1029 | 943 | 889 | 1279 | 1172 | 1073 | 988 | 958 | 1312 | 1204 | 1104 | 1022 | 1010 | |
| | 285 | SHC | 453 | 574 | 691 | 805 | 889 | 476 | 623 | 767 | 905 | 958 | 495 | 667 | 837 | 989 | 1010 | |
| | | LDB | 62.57 | 57.29 | 52.17 | 47.17 | 43.46 | 65.44 | 60.37 | 55.37 | 50.57 | 48.65 | 67.35 | 62.40 | 57.51 | 53.09 | 52.37 | |
| | | LWB | 62.57 | 57.08 | 51.69 | 46.35 | 40.59 | 65.40 | 59.97 | 54.62 | 49.25 | 43.22 | 67.23 | 61.85 | 56.54 | 51.16 | 45.04 | |
| | 75 | 190 | KW | 52.73 | 51.30 | 50.19 | 49.24 | 48.69 | 53.45 | 51.91 | 50.70 | 49.78 | 49.42 | 53.99 | 52.44 | 51.11 | 50.17 | 50.05 |
| | | | TC | 1236 | 1130 | 1032 | 945 | 890 | 1284 | 1177 | 1077 | 991 | 960 | 1318 | 1209 | 1108 | 1025 | 1012 |
| | | | SHC | 455 | 576 | 693 | 806 | 890 | 478 | 625 | 769 | 907 | 960 | 497 | 669 | 838 | 991 | 1012 |
| 238 | | LDB | 62.50 | 57.23 | 52.12 | 47.13 | 43.40 | 65.38 | 60.32 | 55.32 | 50.51 | 48.58 | 67.30 | 62.35 | 57.47 | 53.04 | 52.30 | |
| | | LWB | 62.50 | 57.02 | 51.64 | 46.31 | 40.55 | 65.34 | 59.92 | 54.57 | 49.21 | 43.19 | 67.18 | 61.81 | 56.50 | 51.12 | 45.00 | |
| | | KW | 51.67 | 50.35 | 49.23 | 48.33 | 47.81 | 52.36 | 50.95 | 49.76 | 48.83 | 48.49 | 52.87 | 51.40 | 50.16 | 49.21 | 49.09 | |
| 333 | | TC | 1240 | 1133 | 1035 | 947 | 892 | 1288 | 1180 | 1080 | 993 | 961 | 1322 | 1213 | 1111 | 1028 | 1014 | |
| | | SHC | 457 | 577 | 694 | 807 | 892 | 480 | 626 | 770 | 908 | 961 | 499 | 671 | 840 | 992 | 1014 | |
| | | LDB | 62.45 | 57.18 | 52.08 | 47.09 | 43.34 | 65.33 | 60.27 | 55.28 | 50.48 | 48.53 | 67.26 | 62.32 | 57.43 | 53.01 | 52.24 | |
| 85 | | 190 | LWB | 62.45 | 56.98 | 51.60 | 46.27 | 40.53 | 65.30 | 59.88 | 54.54 | 49.18 | 43.16 | 67.15 | 61.77 | 56.46 | 51.09 | 44.98 |
| | | | KW | 50.97 | 49.63 | 48.56 | 47.70 | 47.20 | 51.62 | 50.22 | 49.05 | 48.17 | 47.84 | 52.11 | 50.69 | 49.45 | 48.54 | 48.42 |
| | | | TC | 1189 | 1089 | 996 | 913 | 867 | 1234 | 1132 | 1037 | 957 | 932 | 1263 | 1160 | 1064 | 988 | 980 |
| | 238 | SHC | 438 | 559 | 676 | 791 | 867 | 461 | 607 | 752 | 890 | 932 | 479 | 651 | 821 | 970 | 980 | |
| | | LDB | 63.15 | 57.89 | 52.78 | 47.76 | 44.37 | 65.91 | 60.85 | 55.85 | 51.07 | 49.49 | 67.75 | 62.82 | 57.94 | 53.61 | 53.17 | |
| | | LWB | 63.15 | 57.67 | 52.27 | 46.91 | 41.06 | 65.86 | 60.44 | 55.09 | 49.71 | 43.64 | 67.63 | 62.26 | 56.95 | 51.55 | 45.42 | |
| | 285 | KW | 59.43 | 58.07 | 56.92 | 56.08 | 55.68 | 60.13 | 58.71 | 57.45 | 56.59 | 56.30 | 60.62 | 59.12 | 57.85 | 56.92 | 56.83 | |
| | | TC | 1197 | 1096 | 1002 | 918 | 870 | 1243 | 1140 | 1044 | 962 | 936 | 1274 | 1169 | 1071 | 994 | 985 | |
| | | SHC | 442 | 562 | 678 | 793 | 870 | 464 | 610 | 755 | 892 | 936 | 483 | 654 | 824 | 973 | 985 | |
| | 333 | LDB | 63.03 | 57.78 | 52.68 | 47.67 | 44.24 | 65.81 | 60.76 | 55.76 | 50.99 | 49.36 | 67.67 | 62.73 | 57.86 | 53.53 | 53.04 | |
| | | LWB | 63.03 | 57.56 | 52.17 | 46.83 | 40.99 | 65.77 | 60.35 | 55.00 | 49.63 | 43.57 | 67.54 | 62.18 | 56.88 | 51.48 | 45.36 | |
| | | KW | 57.48 | 56.22 | 55.18 | 54.31 | 53.95 | 58.13 | 56.79 | 55.69 | 54.83 | 54.50 | 58.60 | 57.20 | 56.01 | 55.16 | 55.07 | |
| 95 | 190 | TC | 1203 | 1100 | 1005 | 921 | 872 | 1249 | 1145 | 1048 | 965 | 939 | 1281 | 1175 | 1076 | 998 | 988 | |
| | | SHC | 443 | 564 | 680 | 794 | 872 | 466 | 612 | 756 | 894 | 939 | 485 | 657 | 826 | 975 | 988 | |
| | | LDB | 62.95 | 57.71 | 52.62 | 47.61 | 44.16 | 65.75 | 60.70 | 55.71 | 50.93 | 49.27 | 67.61 | 62.68 | 57.81 | 53.47 | 52.95 | |
| | 238 | LWB | 62.95 | 57.49 | 52.11 | 46.77 | 40.95 | 65.70 | 60.29 | 54.95 | 49.58 | 43.53 | 67.49 | 62.13 | 56.83 | 51.44 | 45.32 | |
| | | KW | 56.24 | 55.05 | 54.05 | 53.25 | 52.85 | 56.84 | 55.61 | 54.53 | 53.73 | 53.44 | 57.29 | 55.99 | 54.86 | 54.03 | 53.94 | |
| | | TC | 1207 | 1103 | 1008 | 923 | 873 | 1254 | 1149 | 1051 | 968 | 940 | 1286 | 1179 | 1079 | 1000 | 991 | |
| | 285 | SHC | 445 | 565 | 681 | 795 | 873 | 467 | 614 | 758 | 895 | 940 | 487 | 658 | 827 | 977 | 991 | |
| | | LDB | 62.90 | 57.66 | 52.57 | 47.57 | 44.10 | 65.70 | 60.65 | 55.67 | 50.89 | 49.21 | 67.57 | 62.64 | 57.77 | 53.43 | 52.89 | |
| | | LWB | 62.90 | 57.44 | 52.06 | 46.73 | 40.92 | 65.66 | 60.25 | 54.91 | 49.55 | 43.50 | 67.45 | 62.09 | 56.79 | 51.41 | 45.29 | |
| | 333 | KW | 55.35 | 54.19 | 53.25 | 52.52 | 52.13 | 55.95 | 54.72 | 53.70 | 52.94 | 52.68 | 56.41 | 55.10 | 54.01 | 53.23 | 53.14 | |
| | | TC | 1151 | 1054 | 965 | 885 | 844 | 1193 | 1095 | 1003 | 926 | 907 | 1220 | 1120 | 1028 | 956 | 953 | |
| | | SHC | 425 | 546 | 662 | 777 | 844 | 447 | 594 | 738 | 874 | 907 | 465 | 637 | 805 | 956 | 953 | |
| 85 | 190 | LDB | 63.66 | 58.43 | 53.34 | 48.33 | 45.31 | 66.33 | 61.28 | 56.30 | 51.58 | 50.29 | 68.12 | 63.19 | 58.34 | 53.98 | 53.92 | |
| | | LWB | 63.66 | 58.19 | 52.80 | 47.45 | 41.54 | 66.27 | 60.87 | 55.52 | 50.15 | 44.03 | 67.99 | 62.63 | 57.32 | 51.92 | 45.78 | |
| | | KW | 65.95 | 64.65 | 63.55 | 62.68 | 62.27 | 66.62 | 65.28 | 64.12 | 63.18 | 63.00 | 67.01 | 65.63 | 64.41 | 63.54 | 63.50 | |
| 238 | TC | 1160 | 1062 | 971 | 890 | 848 | 1204 | 1104 | 1011 | 931 | 912 | 1231 | 1130 | 1035 | 964 | 958 | | |
| | SHC | 429 | 549 | 665 | 779 | 848 | 450 | 597 | 741 | 877 | 912 | 469 | 640 | 809 | 953 | 958 | | |
| | LDB | 63.53 | 58.31 | 53.22 | 48.22 | 45.15 | 66.23 | 61.18 | 56.20 | 51.49 | 50.15 | 68.02 | 63.10 | 58.24 | 54.06 | 53.78 | | |
| 285 | LWB | 63.53 | 58.08 | 52.69 | 47.35 | 41.46 | 66.17 | 60.76 | 55.43 | 50.07 | 43.96 | 67.89 | 62.54 | 57.25 | 51.84 | 45.71 | | |
| | KW | 63.52 | 62.39 | 61.47 | 60.71 | 60.36 | 64.11 | 62.93 | 61.95 | 61.14 | 60.97 | 64.48 | 63.22 | 62.18 | 61.45 | 61.40 | | |
| | TC | 1166 | 1067 | 975 | 893 | 850 | 1210 | 1109 | 1015 | 935 | 915 | 1239 | 1136 | 1040 | 967 | 962 | | |
| 333 | SHC | 431 | 550 | 667 | 781 | 850 | 453 | 599 | 743 | 878 | 915 | 471 | 642 | 811 | 956 | 962 | | |
| | LDB | 63.45 | 58.23 | 53.15 | 48.16 | 45.05 | 66.16 | 61.12 | 56.14 | 51.43 | 50.06 | 67.96 | 63.05 | 58.19 | 53.99 | 53.68 | | |
| | LWB | 63.45 | 58.00 | 52.63 | 47.29 | 41.41 | 66.10 | 60.70 | 55.37 | 50.02 | 43.92 | 67.84 | 62.49 | 57.20 | 51.79 | 45.67 | | |
| 85 | 190 | KW | 61.97 | 60.94 | 60.10 | 59.44 | 59.15 | 62.48 | 61.43 | 60.53 | 59.82 | 59.66 | 62.90 | 61.71 | 60.74 | 60.08 | 60.03 | |
| | | TC | 1170 | 1070 | 978 | 895 | 852 | 1215 | 1113 | 1019 | 938 | 917 | 1244 | 1140 | 1044 | 970 | 964 | |
| | | SHC | 432 | 552 | 668 | 782 | 852 | 454 | 600 | 744 | 880 | 917 | 473 | 644 | 812 | 958 | 964 | |
| 238 | LDB | 63.39 | 58.17 | 53.10 | 48.11 | 44.98 | 66.11 | 61.07 | 56.09 | 51.38 | 49.99 | 67.92 | 63.00 | 58.15 | 53.94 | 53.62 | | |
| | LWB | 63.39 | 57.95 | 52.58 | 47.25 | 41.37 | 66.05 | 60.66 | 55.33 | 49.98 | 43.88 | 67.79 | 62.45 | 57.16 | 51.76 | 45.64 | | |
| | KW | 60.89 | 59.87 | 59.11 | 58.54 | 58.28 | 61.46 | 60.32 | 59.50 | 58.88 | 58.74 | 61.84 | 60.62 | 59.69 | 59.10 | 59.05 | | |

LEGEND

- | | | | |
|-----|--|-----|-----------------------------------|
| BF | — Bypass Factor | LDB | — Leaving Dry Bulb (F) |
| EDB | — Entering Dry Bulb (F) | LWB | — Leaving Wet Bulb (F) |
| EWB | — Entering Wet Bulb (F) | SHC | — Sensible Capacity (1000 Btu/hr) |
| EWT | — Entering Water Temperature (F) | TC | — Total Capacity (1000 Btu/hr) |
| KW | — Compressor Motor Power Input (kilowatts) | | |



GROSS COOLING CAPACITIES (cont)

50XJB104 WITH (2) 13 HP COMPRESSORS AND (2) 25 HP COMPRESSORS (cont)

| EWT (F) | GPM | BF | AIR ENTERING EVAPORATOR — CFM AT 80 F EDB | | | | | | | | | | | | | | |
|---------|-------|-------|---|-------|-------|-------|-------|--------|-------|-------|-------|-------|--------|-------|-------|-------|-------|
| | | | 22,300 | | | | | 28,000 | | | | | 33,500 | | | | |
| | | | Air Entering Evaporator — Ewb (F) | | | | | | | | | | | | | | |
| | | | 77 | 72 | 67 | 62 | 57 | 77 | 72 | 67 | 62 | 57 | 77 | 72 | 67 | 62 | 57 |
| 0.001 | 0.054 | 0.054 | 0.057 | 0.184 | 0.043 | 0.071 | 0.071 | 0.087 | 0.301 | 0.068 | 0.087 | 0.087 | 0.133 | 0.386 | | | |
| 95 | 190 | TC | 1110 | 1017 | 930 | 854 | 819 | 1149 | 1054 | 965 | 892 | 879 | 1173 | 1077 | 989 | 925 | 923 |
| | | SHC | 411 | 531 | 647 | 761 | 819 | 432 | 578 | 722 | 856 | 879 | 450 | 621 | 789 | 925 | 923 |
| | | LDB | 64.20 | 59.01 | 53.93 | 48.95 | 46.34 | 66.79 | 61.76 | 56.80 | 52.16 | 51.23 | 68.51 | 63.60 | 58.77 | 54.83 | 54.74 |
| | 238 | LWB | 64.20 | 58.76 | 53.38 | 48.03 | 42.06 | 66.72 | 61.34 | 56.00 | 50.63 | 44.49 | 68.37 | 63.02 | 57.72 | 52.28 | 46.17 |
| | | KW | 73.64 | 72.24 | 71.05 | 70.12 | 69.64 | 74.27 | 72.83 | 71.59 | 70.56 | 70.45 | 74.66 | 73.20 | 71.93 | 71.08 | 71.06 |
| | | TC | 1120 | 1025 | 937 | 859 | 823 | 1159 | 1063 | 973 | 898 | 884 | 1185 | 1087 | 996 | 931 | 929 |
| | 285 | SHC | 414 | 534 | 650 | 764 | 823 | 436 | 582 | 725 | 859 | 884 | 453 | 625 | 793 | 931 | 929 |
| | | LDB | 64.07 | 58.88 | 53.81 | 48.84 | 46.17 | 66.68 | 61.65 | 56.69 | 52.05 | 51.06 | 68.41 | 63.50 | 58.67 | 54.67 | 54.59 |
| | | LWB | 64.07 | 58.63 | 53.27 | 47.93 | 41.98 | 66.62 | 61.23 | 55.91 | 50.54 | 44.41 | 68.27 | 62.93 | 57.64 | 52.22 | 46.10 |
| | 333 | KW | 70.93 | 69.77 | 68.77 | 67.96 | 67.55 | 71.52 | 70.27 | 69.21 | 68.36 | 68.23 | 71.87 | 70.57 | 69.50 | 68.77 | 68.74 |
| | | TC | 1126 | 1030 | 941 | 863 | 826 | 1167 | 1069 | 978 | 902 | 887 | 1192 | 1094 | 1002 | 934 | 932 |
| | | SHC | 417 | 536 | 652 | 766 | 826 | 438 | 584 | 727 | 861 | 887 | 456 | 627 | 795 | 934 | 932 |
| 105 | 190 | LDB | 63.99 | 58.80 | 53.73 | 48.77 | 46.07 | 66.60 | 61.58 | 56.62 | 51.98 | 50.96 | 68.35 | 63.44 | 58.61 | 54.56 | 54.48 |
| | | LWB | 63.99 | 58.56 | 53.19 | 47.86 | 41.93 | 66.54 | 61.16 | 55.85 | 50.49 | 44.36 | 68.21 | 62.87 | 57.59 | 52.17 | 46.05 |
| | | KW | 69.22 | 68.15 | 67.27 | 66.58 | 66.24 | 69.76 | 68.62 | 67.66 | 66.93 | 66.82 | 70.05 | 68.90 | 67.90 | 67.26 | 67.24 |
| 238 | TC | 1130 | 1034 | 944 | 865 | 827 | 1172 | 1073 | 981 | 905 | 890 | 1198 | 1098 | 1006 | 937 | 935 | |
| | SHC | 418 | 537 | 653 | 767 | 827 | 440 | 585 | 729 | 863 | 890 | 458 | 629 | 797 | 937 | 935 | |
| | LDB | 63.93 | 58.74 | 53.68 | 48.72 | 45.99 | 66.55 | 61.53 | 56.58 | 51.93 | 50.88 | 68.30 | 63.40 | 58.57 | 54.49 | 54.41 | |
| 333 | LWB | 63.93 | 58.50 | 53.14 | 47.82 | 41.89 | 66.49 | 61.11 | 55.80 | 50.45 | 44.32 | 68.17 | 62.83 | 57.55 | 52.14 | 46.01 | |
| | KW | 67.94 | 66.98 | 66.19 | 65.58 | 65.27 | 68.46 | 67.41 | 66.55 | 65.91 | 65.81 | 68.74 | 67.65 | 66.76 | 66.18 | 66.16 | |
| | TC | 1066 | 977 | 893 | 820 | 792 | 1100 | 1009 | 925 | 857 | 848 | 1124 | 1032 | 947 | 892 | 891 | |
| 105 | 190 | SHC | 396 | 515 | 631 | 744 | 792 | 416 | 562 | 705 | 836 | 848 | 433 | 604 | 772 | 892 | 891 |
| | | LDB | 64.79 | 59.61 | 54.56 | 49.62 | 47.44 | 67.28 | 62.27 | 57.33 | 52.80 | 52.22 | 68.92 | 64.03 | 59.22 | 55.73 | 55.62 |
| | | LWB | 64.79 | 59.35 | 53.99 | 48.65 | 42.62 | 67.20 | 61.83 | 56.51 | 51.13 | 44.97 | 68.77 | 63.43 | 58.15 | 52.66 | 46.59 |
| | 238 | KW | 82.26 | 80.74 | 79.42 | 78.32 | 77.85 | 82.86 | 81.28 | 79.92 | 78.82 | 78.73 | 83.28 | 81.71 | 80.33 | 79.50 | 79.49 |
| | | TC | 1076 | 985 | 901 | 826 | 796 | 1112 | 1019 | 932 | 863 | 854 | 1136 | 1042 | 955 | 898 | 897 |
| | | SHC | 399 | 518 | 635 | 747 | 796 | 420 | 565 | 709 | 839 | 854 | 437 | 608 | 776 | 898 | 897 |
| | 285 | LDB | 64.65 | 59.49 | 54.43 | 49.49 | 47.26 | 67.17 | 62.16 | 57.21 | 52.68 | 52.05 | 68.82 | 63.93 | 59.12 | 55.56 | 55.46 |
| | | LWB | 64.65 | 59.23 | 53.87 | 48.54 | 42.53 | 67.09 | 61.72 | 56.42 | 51.04 | 44.89 | 68.67 | 63.34 | 58.07 | 52.59 | 46.51 |
| | | KW | 79.32 | 78.07 | 76.95 | 75.99 | 75.57 | 79.86 | 78.52 | 77.35 | 76.44 | 76.32 | 80.24 | 78.87 | 77.69 | 76.99 | 76.98 |
| | 333 | TC | 1083 | 990 | 905 | 830 | 799 | 1119 | 1025 | 938 | 867 | 857 | 1143 | 1049 | 960 | 902 | 901 |
| | | SHC | 402 | 520 | 636 | 749 | 799 | 422 | 568 | 711 | 842 | 857 | 440 | 611 | 778 | 902 | 901 |
| | | LDB | 64.57 | 59.41 | 54.36 | 49.42 | 47.14 | 67.09 | 62.09 | 57.14 | 52.61 | 51.94 | 68.75 | 63.87 | 59.06 | 55.45 | 55.35 |
| 105 | 285 | LWB | 64.57 | 59.15 | 53.80 | 48.47 | 42.47 | 67.02 | 61.66 | 56.35 | 50.98 | 44.84 | 68.61 | 63.28 | 58.01 | 52.55 | 46.46 |
| | | KW | 77.45 | 76.30 | 75.33 | 74.53 | 74.16 | 77.95 | 76.73 | 75.68 | 74.90 | 74.79 | 78.28 | 77.04 | 75.98 | 75.37 | 75.35 |
| | | TC | 1087 | 994 | 908 | 833 | 801 | 1125 | 1030 | 941 | 870 | 860 | 1149 | 1053 | 964 | 905 | 904 |
| 105 | 333 | SHC | 403 | 522 | 638 | 751 | 801 | 424 | 569 | 712 | 843 | 860 | 442 | 612 | 779 | 905 | 904 |
| | | LDB | 64.50 | 59.35 | 54.31 | 49.37 | 47.06 | 67.04 | 62.04 | 57.09 | 52.55 | 51.86 | 68.71 | 63.83 | 59.02 | 55.37 | 55.27 |
| | | LWB | 64.50 | 59.09 | 53.75 | 48.42 | 42.43 | 66.96 | 61.61 | 56.31 | 50.94 | 44.80 | 68.56 | 63.24 | 57.97 | 52.51 | 46.42 |
| 105 | 333 | KW | 76.06 | 75.03 | 74.17 | 73.46 | 73.10 | 76.52 | 75.41 | 74.48 | 73.78 | 73.69 | 76.83 | 75.70 | 74.74 | 74.19 | 74.18 |

LEGEND

- BF** — Bypass Factor
- EDB** — Entering Dry Bulb (F)
- EWB** — Entering Wet Bulb (F)
- EWT** — Entering Water Temperature (F)
- kW** — Compressor Motor Power Input (kilowatts)
- LDB** — Leaving Dry Bulb (F)
- LWB** — Leaving Wet Bulb (F)
- SHC** — Sensible Capacity (1000 Btu/hr)
- TC** — Total Capacity (1000 Btu/hr)

Performance data (cont)



GROSS COOLING CAPACITIES (cont)

50XJD104 WITH (2) 15 HP COMPRESSORS AND (2) 25 HP COMPRESSORS

| EWT (F) | GPM | BF | AIR ENTERING EVAPORATOR — CFM AT 80 F EDB | | | | | | | | | | | | | | |
|---------|-------|-------|---|-------|-------|-------|-------|--------|-------|-------|-------|-------|--------|-------|-------|-------|-------|
| | | | 22,300 | | | | | 28,000 | | | | | 33,500 | | | | |
| | | | Air Entering Evaporator — Ewb (F) | | | | | | | | | | | | | | |
| | | | 77 | 72 | 67 | 62 | 57 | 77 | 72 | 67 | 62 | 57 | 77 | 72 | 67 | 62 | 57 |
| 0.001 | 0.052 | 0.054 | 0.055 | 0.152 | 0.033 | 0.071 | 0.07 | 0.081 | 0.272 | 0.063 | 0.087 | 0.086 | 0.118 | 0.358 | | | |
| 65 | 200 | TC | 1286 | 1177 | 1077 | 986 | 922 | 1337 | 1226 | 1124 | 1033 | 995 | 1373 | 1261 | 1156 | 1070 | 1050 |
| | | SHC | 473 | 595 | 712 | 827 | 922 | 497 | 644 | 789 | 929 | 995 | 516 | 689 | 859 | 1016 | 1050 |
| | | LDB | 61.81 | 56.48 | 51.33 | 46.30 | 42.10 | 64.81 | 59.71 | 54.68 | 49.82 | 47.44 | 66.81 | 61.85 | 56.93 | 52.36 | 51.28 |
| | 250 | LWB | 61.81 | 56.29 | 50.87 | 45.52 | 39.88 | 64.79 | 59.34 | 53.96 | 48.60 | 42.62 | 66.72 | 61.32 | 55.98 | 50.59 | 44.51 |
| | | TC | 1294 | 1184 | 1082 | 990 | 924 | 1347 | 1234 | 1130 | 1038 | 998 | 1383 | 1269 | 1163 | 1075 | 1054 |
| | | SHC | 476 | 598 | 715 | 829 | 924 | 500 | 647 | 792 | 931 | 998 | 519 | 692 | 862 | 1019 | 1054 |
| | 300 | LDB | 61.69 | 56.38 | 51.23 | 46.22 | 42.01 | 64.71 | 59.62 | 54.60 | 49.74 | 47.31 | 66.73 | 61.77 | 56.86 | 52.29 | 51.16 |
| | | LWB | 61.69 | 56.19 | 50.77 | 45.44 | 39.83 | 64.69 | 59.25 | 53.88 | 48.52 | 42.55 | 66.64 | 61.24 | 55.91 | 50.53 | 44.45 |
| | | KW | 57.22 | 55.72 | 54.53 | 53.54 | 52.82 | 58.00 | 56.37 | 55.08 | 54.06 | 53.64 | 58.54 | 56.88 | 55.52 | 54.52 | 54.26 |
| | 350 | TC | 1299 | 1188 | 1085 | 993 | 926 | 1353 | 1239 | 1134 | 1042 | 1001 | 1390 | 1275 | 1168 | 1079 | 1057 |
| | | SHC | 478 | 599 | 716 | 830 | 926 | 502 | 649 | 793 | 933 | 1001 | 521 | 694 | 864 | 1021 | 1057 |
| | | LDB | 61.62 | 56.31 | 51.17 | 46.16 | 41.93 | 64.64 | 59.56 | 54.55 | 49.68 | 47.23 | 66.67 | 61.72 | 56.81 | 52.23 | 51.08 |
| 75 | 200 | LWB | 61.62 | 56.12 | 50.71 | 45.38 | 39.79 | 64.63 | 59.19 | 53.82 | 48.48 | 42.51 | 66.58 | 61.19 | 55.86 | 50.49 | 44.41 |
| | | TC | 1303 | 1191 | 1088 | 995 | 927 | 1357 | 1243 | 1137 | 1044 | 1003 | 1394 | 1279 | 1171 | 1081 | 1059 |
| | | SHC | 479 | 600 | 717 | 831 | 927 | 504 | 650 | 795 | 934 | 1003 | 523 | 695 | 865 | 1022 | 1059 |
| | 250 | LDB | 61.57 | 56.27 | 51.13 | 46.12 | 41.88 | 64.59 | 59.51 | 54.51 | 49.65 | 47.17 | 66.63 | 61.68 | 56.77 | 52.20 | 51.03 |
| | | LWB | 61.57 | 56.08 | 50.67 | 45.34 | 39.76 | 64.58 | 59.15 | 53.79 | 48.45 | 42.48 | 66.54 | 61.16 | 55.83 | 50.46 | 44.39 |
| | | KW | 55.19 | 53.83 | 52.70 | 51.79 | 51.17 | 55.91 | 54.46 | 53.22 | 52.25 | 51.87 | 56.43 | 54.96 | 53.64 | 52.69 | 52.43 |
| | 300 | TC | 1250 | 1144 | 1046 | 959 | 901 | 1299 | 1191 | 1091 | 1005 | 971 | 1332 | 1224 | 1123 | 1039 | 1025 |
| | | SHC | 460 | 582 | 699 | 813 | 901 | 483 | 630 | 775 | 914 | 971 | 502 | 675 | 845 | 1000 | 1025 |
| | | LDB | 62.31 | 57.00 | 51.87 | 46.84 | 42.97 | 65.22 | 60.14 | 55.12 | 50.27 | 48.20 | 67.17 | 62.21 | 57.30 | 52.80 | 51.96 |
| | 350 | LWB | 62.31 | 56.81 | 51.40 | 46.05 | 40.33 | 65.19 | 59.75 | 54.38 | 49.01 | 43.00 | 67.06 | 61.67 | 56.33 | 50.95 | 44.84 |
| | | TC | 1259 | 1152 | 1053 | 964 | 904 | 1309 | 1200 | 1099 | 1010 | 976 | 1343 | 1233 | 1130 | 1045 | 1030 |
| | | SHC | 463 | 585 | 702 | 816 | 904 | 487 | 634 | 778 | 917 | 976 | 506 | 678 | 848 | 1003 | 1030 |
| 85 | 200 | LDB | 62.18 | 56.89 | 51.76 | 46.75 | 42.83 | 65.11 | 60.04 | 55.02 | 50.19 | 48.06 | 67.07 | 62.12 | 57.21 | 52.71 | 51.82 |
| | | LWB | 62.18 | 56.69 | 51.29 | 45.95 | 40.26 | 65.09 | 59.65 | 54.29 | 48.93 | 42.93 | 66.97 | 61.58 | 56.26 | 50.88 | 44.77 |
| | | KW | 62.55 | 61.18 | 60.04 | 59.20 | 58.66 | 63.24 | 61.78 | 60.57 | 59.65 | 59.31 | 63.77 | 62.27 | 61.00 | 60.02 | 59.89 |
| | 250 | TC | 1265 | 1157 | 1057 | 967 | 906 | 1316 | 1205 | 1103 | 1014 | 978 | 1351 | 1239 | 1135 | 1050 | 1033 |
| | | SHC | 466 | 587 | 703 | 817 | 906 | 489 | 636 | 780 | 919 | 978 | 508 | 680 | 850 | 1005 | 1033 |
| | | LDB | 62.09 | 56.81 | 51.69 | 46.68 | 42.74 | 65.04 | 59.97 | 54.96 | 50.13 | 47.97 | 67.01 | 62.06 | 57.16 | 52.66 | 51.73 |
| | 300 | LWB | 62.09 | 56.61 | 51.22 | 45.89 | 40.21 | 65.02 | 59.59 | 54.23 | 48.88 | 42.88 | 66.91 | 61.53 | 56.20 | 50.83 | 44.73 |
| | | TC | 1269 | 1160 | 1059 | 969 | 908 | 1320 | 1209 | 1106 | 1016 | 980 | 1356 | 1244 | 1139 | 1052 | 1035 |
| | | SHC | 467 | 588 | 705 | 819 | 908 | 491 | 637 | 781 | 920 | 980 | 510 | 682 | 852 | 1007 | 1035 |
| | 350 | LDB | 62.03 | 56.75 | 51.64 | 46.64 | 42.68 | 64.99 | 59.92 | 54.92 | 50.09 | 47.91 | 66.97 | 62.02 | 57.13 | 52.61 | 51.67 |
| | | LWB | 62.03 | 56.56 | 51.17 | 45.85 | 40.18 | 64.97 | 59.54 | 54.19 | 48.84 | 42.85 | 66.87 | 61.49 | 56.17 | 50.80 | 44.70 |
| | | KW | 60.16 | 58.92 | 57.91 | 57.09 | 56.61 | 60.77 | 59.46 | 58.36 | 57.51 | 57.19 | 61.24 | 59.90 | 58.75 | 57.89 | 57.73 |
| 85 | 200 | TC | 1210 | 1108 | 1013 | 929 | 878 | 1256 | 1153 | 1056 | 973 | 945 | 1288 | 1182 | 1084 | 1005 | 996 |
| | | SHC | 446 | 567 | 684 | 798 | 878 | 468 | 615 | 760 | 898 | 945 | 487 | 659 | 829 | 980 | 996 |
| | | LDB | 62.86 | 57.59 | 52.46 | 47.45 | 43.91 | 65.67 | 60.61 | 55.60 | 50.79 | 49.05 | 67.55 | 62.61 | 57.72 | 53.33 | 52.76 |
| | 250 | LWB | 62.86 | 57.37 | 51.97 | 46.62 | 40.82 | 65.63 | 60.20 | 54.84 | 49.47 | 43.42 | 67.43 | 62.06 | 56.74 | 51.35 | 45.22 |
| | | TC | 1219 | 1116 | 1020 | 934 | 882 | 1267 | 1162 | 1064 | 979 | 950 | 1300 | 1193 | 1093 | 1012 | 1001 |
| | | SHC | 449 | 570 | 687 | 801 | 882 | 472 | 619 | 763 | 901 | 950 | 491 | 663 | 833 | 984 | 1001 |
| | 300 | LDB | 62.73 | 57.46 | 52.34 | 47.33 | 43.75 | 65.55 | 60.50 | 55.49 | 50.69 | 48.90 | 67.44 | 62.51 | 57.62 | 53.22 | 52.60 |
| | | LWB | 62.73 | 57.25 | 51.86 | 46.52 | 40.74 | 65.52 | 60.10 | 54.75 | 49.39 | 43.35 | 67.33 | 61.96 | 56.65 | 51.27 | 45.15 |
| | | KW | 69.29 | 68.04 | 67.03 | 66.15 | 65.67 | 69.93 | 68.61 | 67.52 | 66.67 | 66.33 | 70.45 | 69.04 | 67.87 | 67.01 | 66.91 |
| | 350 | TC | 1226 | 1121 | 1024 | 937 | 884 | 1274 | 1168 | 1069 | 983 | 953 | 1307 | 1199 | 1098 | 1016 | 1005 |
| | | SHC | 452 | 572 | 689 | 803 | 884 | 475 | 621 | 765 | 903 | 953 | 494 | 666 | 835 | 987 | 1005 |
| | | LDB | 62.64 | 57.38 | 52.26 | 47.27 | 43.64 | 65.48 | 60.42 | 55.43 | 50.63 | 48.80 | 67.38 | 62.44 | 57.56 | 53.15 | 52.50 |
| 350 | LWB | 62.64 | 57.17 | 51.78 | 46.45 | 40.68 | 65.45 | 60.03 | 54.68 | 49.33 | 43.29 | 67.27 | 61.90 | 56.59 | 51.22 | 45.10 | |
| | TC | 1230 | 1125 | 1027 | 940 | 886 | 1279 | 1172 | 1072 | 986 | 955 | 1313 | 1204 | 1102 | 1020 | 1008 | |
| | SHC | 453 | 574 | 690 | 804 | 886 | 477 | 623 | 767 | 905 | 955 | 496 | 667 | 836 | 989 | 1008 | |
| 350 | LDB | 62.57 | 57.31 | 52.21 | 47.22 | 43.57 | 65.42 | 60.37 | 55.38 | 50.59 | 48.72 | 67.33 | 62.40 | 57.52 | 53.10 | 52.43 | |
| | LWB | 62.57 | 57.11 | 51.73 | 46.41 | 40.64 | 65.39 | 59.98 | 54.64 | 49.29 | 43.26 | 67.22 | 61.86 | 56.55 | 51.18 | 45.07 | |
| | KW | 66.30 | 65.25 | 64.42 | 63.76 | 63.39 | 66.84 | 65.72 | 64.81 | 64.14 | 63.88 | 67.34 | 66.10 | 65.12 | 64.40 | 64.32 | |

LEGEND

- BF — Bypass Factor
- EDB — Entering Dry Bulb (F)
- EWB — Entering Wet Bulb (F)
- EWT — Entering Water Temperature (F)
- KW — Compressor Motor Power Input (kilowatts)
- LDB — Leaving Dry Bulb (F)
- LWB — Leaving Wet Bulb (F)
- SHC — Sensible Capacity (1000 Btu/hr)
- TC — Total Capacity (1000 Btu/hr)



GROSS COOLING CAPACITIES (cont)

50XJD104 WITH (2) 15 HP COMPRESSORS AND (2) 25 HP COMPRESSORS (cont)

| EWT (F) | GPM | BF | AIR ENTERING EVAPORATOR — CFM AT 80 F EDB | | | | | | | | | | | | | | |
|---------|-------|-------|---|-------|-------|-------|-------|--------|-------|-------|-------|-------|--------|-------|-------|-------|-------|
| | | | 22,300 | | | | | 28,000 | | | | | 33,500 | | | | |
| | | | Air Entering Evaporator — Ewb (F) | | | | | | | | | | | | | | |
| | | | 77 | 72 | 67 | 62 | 57 | 77 | 72 | 67 | 62 | 57 | 77 | 72 | 67 | 62 | 57 |
| 0.001 | 0.052 | 0.054 | 0.055 | 0.152 | 0.033 | 0.071 | 0.07 | 0.081 | 0.272 | 0.063 | 0.087 | 0.086 | 0.118 | 0.358 | | | |
| 95 | 200 | TC | 1166 | 1068 | 977 | 896 | 853 | 1210 | 1110 | 1017 | 937 | 917 | 1238 | 1137 | 1043 | 969 | 964 |
| | | SHC | 431 | 551 | 668 | 782 | 853 | 453 | 599 | 743 | 880 | 917 | 471 | 643 | 811 | 958 | 964 |
| | | LDB | 63.45 | 58.21 | 53.12 | 48.10 | 44.95 | 66.15 | 61.10 | 56.12 | 51.37 | 49.98 | 67.96 | 63.04 | 58.18 | 53.92 | 53.62 |
| | 250 | LWB | 63.45 | 57.98 | 52.59 | 47.24 | 41.36 | 66.10 | 60.69 | 55.34 | 49.99 | 43.88 | 67.84 | 62.48 | 57.17 | 51.77 | 45.64 |
| | | KW | 80.29 | 78.77 | 77.43 | 76.34 | 75.81 | 81.09 | 79.53 | 78.12 | 76.94 | 76.70 | 81.57 | 79.93 | 78.51 | 77.39 | 77.35 |
| | | TC | 1177 | 1077 | 984 | 902 | 857 | 1221 | 1120 | 1025 | 944 | 922 | 1250 | 1147 | 1051 | 977 | 970 |
| | 300 | SHC | 434 | 555 | 671 | 785 | 857 | 457 | 603 | 747 | 884 | 922 | 475 | 647 | 816 | 962 | 970 |
| | | LDB | 63.31 | 58.07 | 52.99 | 47.98 | 44.77 | 66.03 | 60.99 | 56.00 | 51.26 | 49.82 | 67.86 | 62.94 | 58.07 | 53.81 | 53.46 |
| | | LWB | 63.31 | 57.84 | 52.47 | 47.13 | 41.27 | 65.99 | 60.58 | 55.24 | 49.89 | 43.80 | 67.74 | 62.38 | 57.08 | 51.68 | 45.56 |
| | 350 | KW | 77.38 | 76.06 | 74.96 | 74.00 | 73.56 | 78.07 | 76.69 | 75.55 | 74.56 | 74.29 | 78.52 | 77.06 | 75.83 | 74.95 | 74.85 |
| | | TC | 1184 | 1082 | 989 | 905 | 860 | 1229 | 1126 | 1031 | 949 | 925 | 1259 | 1155 | 1057 | 981 | 974 |
| | | SHC | 437 | 557 | 673 | 787 | 860 | 459 | 605 | 749 | 886 | 925 | 478 | 649 | 818 | 965 | 974 |
| 105 | 200 | LDB | 63.22 | 57.98 | 52.91 | 47.91 | 44.66 | 65.96 | 60.92 | 55.93 | 51.19 | 49.71 | 67.79 | 62.87 | 58.00 | 53.73 | 53.35 |
| | | LWB | 63.22 | 57.76 | 52.39 | 47.06 | 41.20 | 65.91 | 60.51 | 55.17 | 49.82 | 43.74 | 67.67 | 62.32 | 57.02 | 51.63 | 45.51 |
| | | KW | 75.46 | 74.28 | 73.29 | 72.48 | 72.11 | 76.06 | 74.86 | 73.80 | 72.96 | 72.72 | 76.47 | 75.20 | 74.08 | 73.27 | 73.20 |
| 250 | TC | 1188 | 1086 | 992 | 908 | 862 | 1234 | 1131 | 1034 | 952 | 928 | 1265 | 1159 | 1061 | 984 | 977 | |
| | SHC | 438 | 558 | 674 | 788 | 862 | 461 | 607 | 751 | 888 | 928 | 480 | 651 | 820 | 967 | 977 | |
| | LDB | 63.15 | 57.92 | 52.85 | 47.86 | 44.57 | 65.90 | 60.86 | 55.88 | 51.13 | 49.63 | 67.74 | 62.83 | 57.96 | 53.67 | 53.27 | |
| 300 | LWB | 63.15 | 57.70 | 52.33 | 47.01 | 41.16 | 65.86 | 60.46 | 55.12 | 49.78 | 43.71 | 67.62 | 62.27 | 56.98 | 51.59 | 45.47 | |
| | KW | 74.07 | 73.00 | 72.11 | 71.41 | 71.08 | 74.65 | 73.51 | 72.57 | 71.83 | 71.61 | 75.05 | 73.83 | 72.82 | 72.09 | 72.03 | |
| | TC | 1120 | 1026 | 938 | 861 | 824 | 1160 | 1064 | 975 | 899 | 885 | 1185 | 1089 | 998 | 932 | 930 | |
| 105 | 200 | SHC | 415 | 534 | 650 | 765 | 824 | 436 | 582 | 726 | 860 | 885 | 454 | 625 | 793 | 932 | 930 |
| | | LDB | 64.07 | 58.87 | 53.80 | 48.81 | 46.12 | 66.67 | 61.64 | 56.68 | 52.01 | 51.02 | 68.41 | 63.50 | 58.65 | 54.64 | 54.55 |
| | | LWB | 64.07 | 58.62 | 53.24 | 47.90 | 41.95 | 66.61 | 61.22 | 55.89 | 50.53 | 44.39 | 68.27 | 62.92 | 57.62 | 52.20 | 46.08 |
| 250 | KW | 89.69 | 87.99 | 86.49 | 85.26 | 84.62 | 90.48 | 88.73 | 87.20 | 85.87 | 85.70 | 90.96 | 89.21 | 87.63 | 86.46 | 86.48 | |
| | TC | 1131 | 1035 | 946 | 867 | 829 | 1172 | 1074 | 983 | 906 | 891 | 1198 | 1100 | 1007 | 939 | 936 | |
| | SHC | 418 | 538 | 654 | 768 | 829 | 440 | 586 | 730 | 864 | 891 | 458 | 629 | 797 | 939 | 936 | |
| 300 | LDB | 63.93 | 58.72 | 53.65 | 48.68 | 45.93 | 66.55 | 61.52 | 56.55 | 51.89 | 50.83 | 68.29 | 63.39 | 58.54 | 54.45 | 54.38 | |
| | LWB | 63.93 | 58.48 | 53.12 | 47.79 | 41.86 | 66.49 | 61.10 | 55.78 | 50.43 | 44.30 | 68.16 | 62.82 | 57.53 | 52.12 | 46.00 | |
| | KW | 86.50 | 85.06 | 83.82 | 82.73 | 82.18 | 87.23 | 85.71 | 84.40 | 83.30 | 83.11 | 87.64 | 86.09 | 84.75 | 83.81 | 83.75 | |
| 105 | 200 | TC | 1138 | 1041 | 951 | 871 | 832 | 1180 | 1081 | 989 | 911 | 895 | 1207 | 1107 | 1013 | 943 | 941 |
| | | SHC | 421 | 540 | 656 | 770 | 832 | 443 | 588 | 732 | 866 | 895 | 461 | 632 | 800 | 943 | 941 |
| | | LDB | 63.83 | 58.63 | 53.57 | 48.60 | 45.81 | 66.46 | 61.44 | 56.48 | 51.81 | 50.71 | 68.22 | 63.32 | 58.48 | 54.33 | 54.26 |
| 250 | LWB | 63.83 | 58.39 | 53.03 | 47.71 | 41.79 | 66.41 | 61.02 | 55.71 | 50.36 | 44.24 | 68.09 | 62.76 | 57.47 | 52.07 | 45.94 | |
| | KW | 84.43 | 83.13 | 82.02 | 81.09 | 80.62 | 85.07 | 83.73 | 82.54 | 81.58 | 81.43 | 85.43 | 84.07 | 82.85 | 81.99 | 81.96 | |
| | TC | 1143 | 1045 | 954 | 874 | 834 | 1186 | 1086 | 993 | 914 | 898 | 1213 | 1112 | 1017 | 946 | 944 | |
| 300 | SHC | 423 | 542 | 658 | 771 | 834 | 445 | 590 | 734 | 868 | 898 | 463 | 634 | 802 | 946 | 944 | |
| | LDB | 63.76 | 58.57 | 53.51 | 48.54 | 45.72 | 66.40 | 61.39 | 56.43 | 51.76 | 50.62 | 68.17 | 63.28 | 58.43 | 54.25 | 54.17 | |
| | LWB | 63.76 | 58.33 | 52.98 | 47.66 | 41.75 | 66.35 | 60.97 | 55.66 | 50.32 | 44.19 | 68.04 | 62.71 | 57.43 | 52.04 | 45.90 | |
| 105 | 200 | KW | 82.91 | 81.74 | 80.75 | 79.94 | 79.51 | 83.55 | 82.29 | 81.23 | 80.37 | 80.24 | 83.88 | 82.59 | 81.49 | 80.72 | 80.69 |

LEGEND

- BF** — Bypass Factor
- EDB** — Entering Dry Bulb (F)
- EWB** — Entering Wet Bulb (F)
- EWT** — Entering Water Temperature (F)
- kW** — Compressor Motor Power Input (kilowatts)
- LDB** — Leaving Dry Bulb (F)
- LWB** — Leaving Wet Bulb (F)
- SHC** — Sensible Capacity (1000 Btu/hr)
- TC** — Total Capacity (1000 Btu/hr)

Performance data (cont)



COOLING CAPACITIES (cont)

50XJE104 WITH (2) 20 HP COMPRESSORS AND (2) 25 HP COMPRESSORS

| EWT (F) | GPM | BF | AIR ENTERING EVAPORATOR — CFM AT 80 F EDB | | | | | | | | | | | | | | |
|---------|------|-------|---|-------|-------|-------|-------|--------|-------|-------|-------|-------|--------|-------|-------|-------|-------|
| | | | 22,300 | | | | | 28,000 | | | | | 33,500 | | | | |
| | | | Air Entering Evaporator — Ewb (F) | | | | | | | | | | | | | | |
| | | | 77 | 72 | 67 | 62 | 57 | 77 | 72 | 67 | 62 | 57 | 77 | 72 | 67 | 62 | 57 |
| 0.001 | 0.05 | 0.053 | 0.053 | 0.102 | 0.002 | 0.069 | 0.07 | 0.076 | 0.226 | 0.052 | 0.086 | 0.085 | 0.104 | 0.317 | | | |
| 65 | 225 | TC | 1380 | 1261 | 1152 | 1054 | 977 | 1442 | 1321 | 1209 | 1110 | 1054 | 1484 | 1361 | 1247 | 1149 | 1115 |
| | | SHC | 507 | 630 | 747 | 861 | 967 | 533 | 682 | 826 | 967 | 1054 | 554 | 726 | 897 | 1058 | 1115 |
| | | LDB | 60.47 | 55.11 | 49.96 | 44.92 | 40.26 | 63.68 | 58.53 | 53.51 | 48.59 | 45.50 | 65.85 | 60.86 | 55.93 | 51.24 | 49.49 |
| | | LWB | 60.47 | 54.95 | 49.52 | 44.18 | 38.66 | 63.68 | 58.22 | 52.82 | 47.46 | 41.63 | 65.79 | 60.37 | 55.01 | 49.66 | 43.63 |
| | 281 | TC | 1387 | 1267 | 1157 | 1058 | 980 | 1451 | 1329 | 1215 | 1114 | 1057 | 1493 | 1369 | 1254 | 1154 | 1119 |
| | | SHC | 510 | 632 | 749 | 863 | 969 | 536 | 685 | 829 | 970 | 1057 | 557 | 730 | 900 | 1061 | 1119 |
| | | LDB | 60.37 | 55.00 | 49.86 | 44.83 | 40.18 | 63.58 | 58.43 | 53.43 | 48.51 | 45.39 | 65.76 | 60.78 | 55.86 | 51.16 | 49.37 |
| | | LWB | 60.37 | 54.85 | 49.43 | 44.10 | 38.60 | 63.58 | 58.12 | 52.74 | 47.40 | 41.58 | 65.70 | 60.29 | 54.94 | 49.59 | 43.57 |
| | 338 | TC | 1392 | 1271 | 1160 | 1060 | 983 | 1457 | 1334 | 1219 | 1117 | 1059 | 1500 | 1375 | 1258 | 1158 | 1122 |
| | | SHC | 512 | 634 | 751 | 865 | 970 | 538 | 687 | 830 | 971 | 1059 | 559 | 732 | 902 | 1063 | 1122 |
| | | LDB | 60.29 | 54.93 | 49.80 | 44.76 | 40.12 | 63.52 | 58.37 | 53.37 | 48.46 | 45.32 | 65.70 | 60.72 | 55.81 | 51.11 | 49.30 |
| | | LWB | 60.29 | 54.78 | 49.37 | 44.05 | 38.55 | 63.52 | 58.06 | 52.68 | 47.35 | 41.54 | 65.65 | 60.24 | 54.89 | 49.55 | 43.54 |
| 394 | TC | 1395 | 1274 | 1163 | 1062 | 984 | 1461 | 1337 | 1222 | 1119 | 1061 | 1505 | 1379 | 1262 | 1160 | 1124 | |
| | SHC | 513 | 635 | 752 | 866 | 971 | 540 | 688 | 831 | 972 | 1061 | 561 | 733 | 903 | 1065 | 1124 | |
| | LDB | 60.24 | 54.88 | 49.76 | 44.72 | 40.08 | 63.47 | 58.33 | 53.34 | 48.42 | 45.26 | 65.67 | 60.69 | 55.77 | 51.07 | 49.25 | |
| | LWB | 60.24 | 54.73 | 49.33 | 44.02 | 38.52 | 63.47 | 58.02 | 52.65 | 47.32 | 41.51 | 65.61 | 60.20 | 54.86 | 49.52 | 43.51 | |
| 75 | 225 | TC | 1342 | 1228 | 1122 | 1027 | 953 | 1401 | 1284 | 1176 | 1079 | 1031 | 1441 | 1322 | 1212 | 1117 | 1089 |
| | | SHC | 494 | 616 | 733 | 848 | 953 | 519 | 667 | 811 | 952 | 1031 | 539 | 712 | 882 | 1043 | 1089 |
| | | LDB | 61.00 | 55.66 | 50.50 | 45.47 | 40.81 | 64.11 | 58.98 | 53.97 | 49.07 | 46.26 | 66.23 | 61.25 | 56.32 | 51.66 | 50.20 |
| | | LWB | 61.00 | 55.48 | 50.06 | 44.71 | 39.19 | 64.11 | 58.66 | 53.27 | 47.92 | 42.02 | 66.15 | 60.74 | 55.39 | 50.03 | 43.98 |
| | 281 | TC | 1351 | 1235 | 1128 | 1031 | 957 | 1412 | 1292 | 1183 | 1085 | 1035 | 1452 | 1331 | 1219 | 1123 | 1094 |
| | | SHC | 497 | 619 | 736 | 850 | 957 | 523 | 670 | 814 | 955 | 1035 | 543 | 715 | 885 | 1046 | 1094 |
| | | LDB | 60.88 | 55.54 | 50.40 | 45.38 | 40.68 | 64.01 | 58.88 | 53.88 | 48.98 | 46.13 | 66.13 | 61.16 | 56.24 | 51.58 | 50.07 |
| | | LWB | 60.88 | 55.37 | 49.96 | 44.62 | 39.12 | 64.01 | 58.56 | 53.18 | 47.84 | 41.95 | 66.06 | 60.66 | 55.31 | 49.96 | 43.92 |
| | 338 | TC | 1357 | 1240 | 1132 | 1035 | 959 | 1418 | 1298 | 1187 | 1088 | 1037 | 1459 | 1337 | 1224 | 1127 | 1097 |
| | | SHC | 499 | 621 | 737 | 852 | 959 | 525 | 673 | 816 | 957 | 1037 | 545 | 717 | 887 | 1048 | 1097 |
| | | LDB | 60.80 | 55.46 | 50.33 | 45.31 | 40.59 | 63.93 | 58.81 | 53.82 | 48.92 | 46.04 | 66.07 | 61.10 | 56.18 | 51.52 | 49.98 |
| | | LWB | 60.80 | 55.29 | 49.89 | 44.56 | 39.07 | 63.93 | 58.49 | 53.12 | 47.79 | 41.91 | 66.00 | 60.60 | 55.26 | 49.91 | 43.87 |
| 394 | TC | 1361 | 1243 | 1134 | 1037 | 960 | 1423 | 1302 | 1190 | 1091 | 1039 | 1464 | 1342 | 1228 | 1130 | 1099 | |
| | SHC | 500 | 622 | 739 | 853 | 960 | 527 | 674 | 818 | 958 | 1039 | 547 | 719 | 889 | 1049 | 1099 | |
| | LDB | 60.74 | 55.41 | 50.28 | 45.27 | 40.53 | 63.88 | 58.77 | 53.78 | 48.88 | 45.98 | 66.02 | 61.06 | 56.14 | 51.49 | 49.92 | |
| | LWB | 60.74 | 55.24 | 49.84 | 44.52 | 39.04 | 63.88 | 58.44 | 53.08 | 47.75 | 41.88 | 65.95 | 60.56 | 55.22 | 49.88 | 43.84 | |
| 85 | 225 | TC | 1302 | 1191 | 1089 | 997 | 929 | 1357 | 1243 | 1138 | 1045 | 1004 | 1394 | 1279 | 1172 | 1083 | 1060 |
| | | SHC | 479 | 601 | 718 | 832 | 929 | 504 | 651 | 795 | 935 | 1004 | 523 | 695 | 865 | 1024 | 1060 |
| | | LDB | 61.58 | 56.25 | 51.11 | 46.08 | 41.82 | 64.59 | 59.51 | 54.49 | 49.61 | 47.13 | 66.64 | 61.68 | 56.76 | 52.15 | 50.99 |
| | | LWB | 61.58 | 56.07 | 50.65 | 45.31 | 39.73 | 64.59 | 59.14 | 53.77 | 48.42 | 42.46 | 66.55 | 61.15 | 55.81 | 50.44 | 44.37 |
| | 281 | TC | 1311 | 1199 | 1095 | 1002 | 933 | 1367 | 1252 | 1146 | 1051 | 1009 | 1405 | 1289 | 1181 | 1089 | 1065 |
| | | SHC | 482 | 604 | 721 | 835 | 933 | 507 | 655 | 798 | 938 | 1009 | 527 | 699 | 869 | 1028 | 1065 |
| | | LDB | 61.44 | 56.13 | 51.00 | 45.97 | 41.67 | 64.47 | 59.38 | 54.38 | 49.51 | 46.98 | 66.53 | 61.58 | 56.67 | 52.06 | 50.85 |
| | | LWB | 61.44 | 55.95 | 50.54 | 45.21 | 39.65 | 64.47 | 59.04 | 53.67 | 48.33 | 42.38 | 66.45 | 61.06 | 55.73 | 50.37 | 44.30 |
| | 338 | TC | 1318 | 1204 | 1099 | 1005 | 935 | 1375 | 1258 | 1151 | 1055 | 1012 | 1413 | 1295 | 1186 | 1093 | 1069 |
| | | SHC | 485 | 606 | 723 | 837 | 935 | 510 | 657 | 800 | 940 | 1012 | 530 | 702 | 871 | 1030 | 1069 |
| | | LDB | 61.36 | 56.05 | 50.92 | 45.91 | 41.56 | 64.40 | 59.30 | 54.32 | 49.45 | 46.88 | 66.47 | 61.51 | 56.61 | 52.00 | 50.75 |
| | | LWB | 61.36 | 55.87 | 50.47 | 45.14 | 39.59 | 64.40 | 58.97 | 53.60 | 48.27 | 42.33 | 66.39 | 61.00 | 55.67 | 50.32 | 44.25 |
| 394 | TC | 1322 | 1207 | 1102 | 1007 | 937 | 1380 | 1262 | 1154 | 1058 | 1014 | 1419 | 1300 | 1190 | 1096 | 1071 | |
| | SHC | 486 | 607 | 724 | 838 | 937 | 512 | 659 | 802 | 942 | 1014 | 531 | 703 | 873 | 1032 | 1071 | |
| | LDB | 61.29 | 55.99 | 50.87 | 45.86 | 41.49 | 64.34 | 59.25 | 54.27 | 49.40 | 46.81 | 66.42 | 61.47 | 56.56 | 51.95 | 50.68 | |
| | LWB | 61.29 | 55.81 | 50.42 | 45.10 | 39.55 | 64.34 | 58.92 | 53.56 | 48.23 | 42.30 | 66.34 | 60.95 | 55.63 | 50.28 | 44.22 | |

LEGEND

- BF — Bypass Factor
- EDB — Entering Dry Bulb (F)
- EWB — Entering Wet Bulb (F)
- EWT — Entering Water Temperature (F)
- kW — Compressor Motor Power Input (kilowatts)
- LDB — Leaving Dry Bulb (F)
- LWB — Leaving Wet Bulb (F)
- SHC — Sensible Capacity (1000 Btu/hr)
- TC — Total Capacity (1000 Btu/hr)



COOLING CAPACITIES (cont)

50XJE104 WITH (2) 20 HP COMPRESSORS AND (2) 25 HP COMPRESSORS (cont)

| EWT (F) | GPM | BF | AIR ENTERING EVAPORATOR — CFM AT 80 F EDB | | | | | | | | | | | | | | |
|---------|-------|-------|---|-------|-------|-------|-------|--------|-------|-------|-------|-------|--------|-------|-------|-------|-------|
| | | | 22,300 | | | | | 28,000 | | | | | 33,500 | | | | |
| | | | Air Entering Evaporator — Ewb (F) | | | | | | | | | | | | | | |
| | | | 77 | 72 | 67 | 62 | 57 | 77 | 72 | 67 | 62 | 57 | 77 | 72 | 67 | 62 | 57 |
| 0.001 | 0.05 | 0.053 | 0.053 | 0.102 | 0.002 | 0.069 | 0.07 | 0.076 | 0.226 | 0.052 | 0.086 | 0.085 | 0.104 | 0.317 | | | |
| 95 | 225 | TC | 1257 | 1150 | 1051 | 962 | 902 | 1308 | 1199 | 1097 | 1009 | 974 | 1342 | 1232 | 1130 | 1043 | 1028 |
| | | SHC | 463 | 584 | 701 | 815 | 902 | 487 | 633 | 777 | 917 | 974 | 506 | 678 | 847 | 1003 | 1028 |
| | | LDB | 62.21 | 56.91 | 51.79 | 46.78 | 42.90 | 65.12 | 60.05 | 55.05 | 50.20 | 48.11 | 67.08 | 62.13 | 57.23 | 52.72 | 51.86 |
| | | LWB | 62.21 | 56.72 | 51.32 | 45.99 | 40.30 | 65.10 | 59.67 | 54.31 | 48.96 | 42.95 | 66.98 | 61.59 | 56.26 | 50.91 | 44.79 |
| | KW | 86.61 | 85.20 | 84.00 | 82.96 | 82.25 | 87.31 | 85.82 | 84.58 | 83.53 | 83.11 | 87.88 | 86.34 | 85.07 | 83.98 | 83.85 | |
| | 281 | TC | 1268 | 1158 | 1058 | 967 | 906 | 1319 | 1208 | 1105 | 1015 | 979 | 1355 | 1243 | 1138 | 1051 | 1034 |
| | | SHC | 466 | 587 | 704 | 818 | 906 | 491 | 637 | 781 | 920 | 979 | 510 | 682 | 851 | 1007 | 1034 |
| | | LDB | 62.06 | 56.79 | 51.66 | 46.66 | 42.74 | 64.99 | 59.93 | 54.93 | 50.09 | 47.95 | 66.97 | 62.03 | 57.13 | 52.61 | 51.71 |
| | | LWB | 62.06 | 56.59 | 51.19 | 45.88 | 40.21 | 64.98 | 59.55 | 54.20 | 48.87 | 42.87 | 66.88 | 61.50 | 56.18 | 50.82 | 44.72 |
| | KW | 83.87 | 82.64 | 81.61 | 80.74 | 80.17 | 84.46 | 83.16 | 82.07 | 81.19 | 80.85 | 84.93 | 83.62 | 82.48 | 81.60 | 81.44 | |
| | 338 | TC | 1274 | 1164 | 1063 | 971 | 909 | 1327 | 1215 | 1111 | 1019 | 982 | 1363 | 1250 | 1144 | 1056 | 1038 |
| | | SHC | 469 | 590 | 706 | 820 | 909 | 493 | 639 | 783 | 922 | 982 | 513 | 684 | 854 | 1010 | 1038 |
| LDB | | 61.96 | 56.69 | 51.58 | 46.59 | 42.63 | 64.91 | 59.85 | 54.86 | 50.03 | 47.84 | 66.90 | 61.96 | 57.07 | 52.54 | 51.60 | |
| LWB | | 61.96 | 56.49 | 51.11 | 45.80 | 40.15 | 64.90 | 59.48 | 54.13 | 48.80 | 42.82 | 66.81 | 61.43 | 56.12 | 50.76 | 44.67 | |
| KW | 81.99 | 80.91 | 80.05 | 79.29 | 78.76 | 82.51 | 81.36 | 80.41 | 79.68 | 79.37 | 82.96 | 81.76 | 80.77 | 80.05 | 79.88 | | |
| 394 | TC | 1279 | 1168 | 1066 | 974 | 911 | 1332 | 1219 | 1114 | 1022 | 985 | 1369 | 1254 | 1148 | 1059 | 1040 | |
| | SHC | 471 | 591 | 708 | 821 | 911 | 495 | 641 | 785 | 924 | 985 | 515 | 686 | 855 | 1012 | 1040 | |
| | LDB | 61.90 | 56.62 | 51.52 | 46.53 | 42.55 | 64.85 | 59.80 | 54.81 | 49.98 | 47.76 | 66.85 | 61.91 | 57.02 | 52.49 | 51.53 | |
| | LWB | 61.90 | 56.43 | 51.06 | 45.75 | 40.11 | 64.84 | 59.43 | 54.08 | 48.76 | 42.78 | 66.76 | 61.39 | 56.07 | 50.72 | 44.63 | |
| KW | 80.69 | 79.75 | 78.93 | 78.25 | 77.78 | 81.16 | 80.12 | 79.27 | 78.58 | 78.32 | 81.57 | 80.47 | 79.61 | 78.92 | 78.76 | | |
| 105 | 225 | TC | 1208 | 1105 | 1010 | 925 | 874 | 1255 | 1151 | 1053 | 969 | 942 | 1287 | 1181 | 1082 | 1002 | 993 |
| | | SHC | 445 | 566 | 682 | 796 | 874 | 468 | 615 | 758 | 897 | 942 | 487 | 659 | 828 | 979 | 993 |
| | | LDB | 62.88 | 57.63 | 52.54 | 47.53 | 44.07 | 65.67 | 60.63 | 55.65 | 50.84 | 49.17 | 67.54 | 62.62 | 57.75 | 53.36 | 52.84 |
| | | LWB | 62.88 | 57.41 | 52.03 | 46.70 | 40.90 | 65.64 | 60.23 | 54.88 | 49.53 | 43.48 | 67.44 | 62.07 | 56.76 | 51.39 | 45.26 |
| | KW | 96.74 | 95.19 | 93.82 | 92.61 | 91.94 | 97.53 | 95.92 | 94.52 | 93.36 | 92.91 | 98.14 | 96.44 | 95.01 | 93.78 | 93.69 | |
| | 281 | TC | 1219 | 1114 | 1017 | 931 | 878 | 1267 | 1161 | 1062 | 976 | 947 | 1300 | 1192 | 1091 | 1009 | 999 |
| | | SHC | 449 | 569 | 686 | 800 | 878 | 472 | 619 | 762 | 900 | 947 | 492 | 663 | 832 | 984 | 999 |
| | | LDB | 62.73 | 57.49 | 52.38 | 47.40 | 43.90 | 65.55 | 60.51 | 55.52 | 50.73 | 48.99 | 67.43 | 62.51 | 57.63 | 53.24 | 52.67 |
| | | LWB | 62.73 | 57.27 | 51.90 | 46.58 | 40.81 | 65.52 | 60.11 | 54.77 | 49.43 | 43.39 | 67.33 | 61.97 | 56.67 | 51.30 | 45.18 |
| | KW | 93.74 | 92.39 | 91.23 | 90.23 | 89.66 | 94.42 | 93.01 | 91.81 | 90.84 | 90.45 | 94.96 | 93.50 | 92.21 | 91.21 | 91.10 | |
| | 338 | TC | 1226 | 1120 | 1022 | 935 | 881 | 1275 | 1167 | 1067 | 980 | 951 | 1309 | 1200 | 1097 | 1014 | 1003 |
| | | SHC | 452 | 572 | 688 | 801 | 881 | 475 | 621 | 765 | 903 | 951 | 495 | 666 | 835 | 987 | 1003 |
| LDB | | 62.63 | 57.39 | 52.29 | 47.34 | 43.77 | 65.46 | 60.43 | 55.45 | 50.65 | 48.87 | 67.36 | 62.44 | 57.56 | 53.16 | 52.55 | |
| LWB | | 62.63 | 57.18 | 51.81 | 46.50 | 40.75 | 65.43 | 60.03 | 54.70 | 49.37 | 43.33 | 67.25 | 61.90 | 56.60 | 51.24 | 45.13 | |
| KW | 91.70 | 90.53 | 89.54 | 88.66 | 88.14 | 92.29 | 91.06 | 90.02 | 89.19 | 88.83 | 92.78 | 91.50 | 90.38 | 89.52 | 89.43 | | |
| 394 | TC | 1231 | 1124 | 1026 | 938 | 883 | 1281 | 1172 | 1071 | 984 | 953 | 1315 | 1205 | 1102 | 1018 | 1006 | |
| | SHC | 454 | 573 | 690 | 803 | 883 | 477 | 623 | 766 | 904 | 953 | 497 | 668 | 836 | 989 | 1006 | |
| | LDB | 62.56 | 57.33 | 52.23 | 47.26 | 43.69 | 65.40 | 60.37 | 55.39 | 50.60 | 48.79 | 67.31 | 62.39 | 57.52 | 53.11 | 52.47 | |
| | LWB | 62.56 | 57.12 | 51.75 | 46.45 | 40.71 | 65.38 | 59.98 | 54.65 | 49.32 | 43.29 | 67.21 | 61.85 | 56.56 | 51.20 | 45.09 | |
| KW | 90.29 | 89.25 | 88.33 | 87.54 | 87.08 | 90.82 | 89.72 | 88.77 | 88.01 | 87.69 | 91.27 | 90.12 | 89.12 | 88.31 | 88.23 | | |

LEGEND

- BF** — Bypass Factor
- EDB** — Entering Dry Bulb (F)
- EWB** — Entering Wet Bulb (F)
- EWT** — Entering Water Temperature (F)
- kW** — Compressor Motor Power Input (kilowatts)
- LDB** — Leaving Dry Bulb (F)
- LWB** — Leaving Wet Bulb (F)
- SHC** — Sensible Capacity (1000 Btu/hr)
- TC** — Total Capacity (1000 Btu/hr)

Performance data (cont)



COOLING CAPACITIES (cont) 50XJF104 WITH (4) 25 HP COMPRESSORS

| EWT (F) | GPM | BF | AIR ENTERING EVAPORATOR — CFM AT 80 F EDB | | | | | | | | | | | | | | |
|---------|------|-------|---|-------|-------|-------|-------|--------|-------|-------|-------|-------|--------|-------|-------|-------|-------|
| | | | 23,000 | | | | | 28,000 | | | | | 33,500 | | | | |
| | | | Air Entering Evaporator — Ewb (F) | | | | | | | | | | | | | | |
| | | | 77 | 72 | 67 | 62 | 57 | 77 | 72 | 67 | 62 | 57 | 77 | 72 | 67 | 62 | 57 |
| 0.001 | 0.05 | 0.053 | 0.053 | 0.102 | 0.002 | 0.069 | 0.07 | 0.076 | 0.226 | 0.052 | 0.086 | 0.085 | 0.104 | 0.317 | | | |
| 65 | 250 | TC | 1461 | 1332 | 1215 | 1109 | 1024 | 1533 | 1401 | 1280 | 1172 | 1102 | 1585 | 1449 | 1325 | 1217 | 1169 |
| | | SHC | 538 | 660 | 776 | 890 | 998 | 565 | 714 | 857 | 998 | 1102 | 589 | 761 | 930 | 1093 | 1169 |
| | | LDB | 59.28 | 53.90 | 48.78 | 43.75 | 38.99 | 62.69 | 57.53 | 52.53 | 47.60 | 43.94 | 64.94 | 59.97 | 55.05 | 50.30 | 48.02 |
| | | LWB | 59.28 | 53.78 | 48.37 | 43.06 | 37.64 | 62.69 | 57.24 | 51.86 | 46.52 | 40.83 | 64.91 | 59.51 | 54.17 | 48.83 | 42.90 |
| | 313 | TC | 1471 | 1341 | 1222 | 1115 | 1028 | 1545 | 1411 | 1288 | 1178 | 1106 | 1598 | 1461 | 1335 | 1223 | 1174 |
| | | SHC | 542 | 664 | 780 | 893 | 1001 | 570 | 718 | 861 | 1002 | 1106 | 593 | 765 | 934 | 1097 | 1174 |
| | | LDB | 59.13 | 53.75 | 48.64 | 43.62 | 38.87 | 62.56 | 57.40 | 52.41 | 47.48 | 43.79 | 64.83 | 59.85 | 54.94 | 50.19 | 47.88 |
| | | LWB | 59.13 | 53.63 | 48.24 | 42.95 | 37.54 | 62.56 | 57.11 | 51.74 | 46.43 | 40.75 | 64.80 | 59.40 | 54.06 | 48.75 | 42.83 |
| | 375 | TC | 1478 | 1347 | 1227 | 1119 | 1031 | 1554 | 1418 | 1294 | 1183 | 1109 | 1607 | 1469 | 1341 | 1229 | 1178 |
| | | SHC | 544 | 666 | 782 | 895 | 1003 | 572 | 721 | 863 | 1004 | 1109 | 597 | 768 | 937 | 1100 | 1178 |
| | | LDB | 59.02 | 53.65 | 48.55 | 43.54 | 38.79 | 62.47 | 57.31 | 52.33 | 47.41 | 43.68 | 64.74 | 59.77 | 54.87 | 50.12 | 47.77 |
| | | LWB | 59.02 | 53.54 | 48.15 | 42.87 | 37.47 | 62.47 | 57.03 | 51.67 | 46.36 | 40.70 | 64.72 | 59.32 | 53.99 | 48.69 | 42.78 |
| 438 | TC | 1484 | 1351 | 1231 | 1121 | 1034 | 1560 | 1423 | 1298 | 1186 | 1112 | 1613 | 1475 | 1346 | 1233 | 1181 | |
| | SHC | 546 | 668 | 783 | 897 | 1004 | 575 | 723 | 865 | 1006 | 1112 | 599 | 771 | 939 | 1102 | 1181 | |
| | LDB | 58.94 | 53.58 | 48.49 | 43.49 | 38.73 | 62.40 | 57.25 | 52.26 | 47.35 | 43.60 | 64.68 | 59.71 | 54.81 | 50.07 | 47.69 | |
| | LWB | 58.94 | 53.46 | 48.09 | 42.81 | 37.42 | 62.40 | 56.97 | 51.61 | 46.31 | 40.65 | 64.66 | 59.26 | 53.94 | 48.64 | 42.74 | |
| 75 | 250 | TC | 1418 | 1293 | 1180 | 1077 | 996 | 1487 | 1359 | 1242 | 1137 | 1074 | 1534 | 1404 | 1283 | 1178 | 1139 |
| | | SHC | 522 | 643 | 760 | 874 | 980 | 549 | 697 | 840 | 981 | 1074 | 571 | 743 | 912 | 1074 | 1139 |
| | | LDB | 59.91 | 54.56 | 49.44 | 44.41 | 39.72 | 63.20 | 58.06 | 53.06 | 48.15 | 44.84 | 65.40 | 60.43 | 55.53 | 50.81 | 48.84 |
| | | LWB | 59.91 | 54.42 | 49.02 | 43.71 | 38.25 | 63.20 | 57.75 | 52.38 | 47.06 | 41.30 | 65.35 | 59.96 | 54.63 | 49.30 | 43.31 |
| | 313 | TC | 1428 | 1302 | 1186 | 1082 | 1000 | 1498 | 1368 | 1249 | 1143 | 1078 | 1547 | 1414 | 1292 | 1185 | 1144 |
| | | SHC | 525 | 647 | 763 | 877 | 983 | 553 | 701 | 844 | 984 | 1078 | 576 | 747 | 916 | 1078 | 1144 |
| | | LDB | 59.77 | 54.42 | 49.32 | 44.30 | 39.62 | 63.08 | 57.94 | 52.95 | 48.04 | 44.70 | 65.28 | 60.33 | 55.42 | 50.71 | 48.69 |
| | | LWB | 59.77 | 54.29 | 48.90 | 43.61 | 38.16 | 63.08 | 57.64 | 52.28 | 46.96 | 41.22 | 65.24 | 59.85 | 54.53 | 49.21 | 43.24 |
| | 375 | TC | 1434 | 1307 | 1191 | 1086 | 1003 | 1506 | 1375 | 1254 | 1147 | 1081 | 1555 | 1421 | 1298 | 1190 | 1148 |
| | | SHC | 528 | 649 | 765 | 878 | 985 | 555 | 703 | 846 | 986 | 1081 | 579 | 750 | 919 | 1080 | 1148 |
| | | LDB | 59.67 | 54.33 | 49.24 | 44.23 | 39.54 | 62.99 | 57.86 | 52.88 | 47.97 | 44.60 | 65.21 | 60.26 | 55.36 | 50.65 | 48.59 |
| | | LWB | 59.67 | 54.20 | 48.82 | 43.54 | 38.10 | 62.99 | 57.56 | 52.21 | 46.90 | 41.17 | 65.17 | 59.79 | 54.47 | 49.16 | 43.19 |
| 438 | TC | 1439 | 1311 | 1194 | 1088 | 1005 | 1511 | 1379 | 1258 | 1150 | 1083 | 1562 | 1427 | 1302 | 1193 | 1150 | |
| | SHC | 530 | 651 | 766 | 880 | 986 | 557 | 705 | 847 | 988 | 1083 | 581 | 752 | 920 | 1082 | 1150 | |
| | LDB | 59.60 | 54.27 | 49.18 | 44.17 | 39.49 | 62.93 | 57.80 | 52.83 | 47.92 | 44.53 | 65.15 | 60.20 | 55.31 | 50.60 | 48.52 | |
| | LWB | 59.60 | 54.13 | 48.76 | 43.49 | 38.06 | 62.93 | 57.51 | 52.16 | 46.86 | 41.13 | 65.11 | 59.73 | 54.42 | 49.12 | 43.15 | |
| 85 | 250 | TC | 1375 | 1255 | 1145 | 1046 | 967 | 1441 | 1316 | 1203 | 1101 | 1047 | 1483 | 1357 | 1241 | 1141 | 1108 |
| | | SHC | 506 | 627 | 743 | 857 | 967 | 533 | 680 | 823 | 963 | 1047 | 554 | 725 | 894 | 1055 | 1108 |
| | | LDB | 60.54 | 55.20 | 50.09 | 45.09 | 40.27 | 63.70 | 58.58 | 53.60 | 48.71 | 45.74 | 65.85 | 60.90 | 55.99 | 51.32 | 49.67 |
| | | LWB | 60.53 | 55.05 | 49.66 | 44.34 | 38.90 | 63.70 | 58.27 | 52.91 | 47.59 | 41.75 | 65.79 | 60.40 | 55.08 | 49.75 | 43.72 |
| | 313 | TC | 1384 | 1262 | 1151 | 1050 | 970 | 1452 | 1326 | 1210 | 1107 | 1051 | 1496 | 1368 | 1249 | 1147 | 1113 |
| | | SHC | 509 | 630 | 746 | 860 | 970 | 536 | 684 | 826 | 966 | 1051 | 558 | 729 | 898 | 1059 | 1113 |
| | | LDB | 60.40 | 55.08 | 49.98 | 44.98 | 40.13 | 63.58 | 58.47 | 53.50 | 48.61 | 45.60 | 65.74 | 60.80 | 55.90 | 51.23 | 49.53 |
| | | LWB | 60.40 | 54.92 | 49.54 | 44.25 | 38.83 | 63.58 | 58.16 | 52.81 | 47.51 | 41.68 | 65.69 | 60.31 | 54.99 | 49.67 | 43.65 |
| | 375 | TC | 1391 | 1268 | 1155 | 1054 | 974 | 1459 | 1332 | 1215 | 1111 | 1054 | 1504 | 1374 | 1255 | 1152 | 1117 |
| | | SHC | 511 | 632 | 748 | 861 | 969 | 539 | 686 | 828 | 968 | 1054 | 561 | 732 | 900 | 1061 | 1117 |
| | | LDB | 60.31 | 54.99 | 49.90 | 44.91 | 40.17 | 63.50 | 58.40 | 53.43 | 48.55 | 45.51 | 65.67 | 60.73 | 55.84 | 51.17 | 49.44 |
| | | LWB | 60.31 | 54.84 | 49.47 | 44.18 | 38.75 | 63.50 | 58.09 | 52.74 | 47.45 | 41.64 | 65.62 | 60.24 | 54.93 | 49.62 | 43.61 |
| 438 | TC | 1395 | 1271 | 1158 | 1056 | 977 | 1464 | 1336 | 1219 | 1114 | 1056 | 1510 | 1379 | 1259 | 1155 | 1119 | |
| | SHC | 513 | 634 | 750 | 863 | 967 | 541 | 688 | 830 | 970 | 1056 | 563 | 734 | 902 | 1063 | 1119 | |
| | LDB | 60.24 | 54.93 | 49.84 | 44.86 | 40.24 | 63.45 | 58.34 | 53.38 | 48.50 | 45.44 | 65.61 | 60.68 | 55.80 | 51.12 | 49.37 | |
| | LWB | 60.24 | 54.78 | 49.41 | 44.13 | 38.67 | 63.45 | 58.03 | 52.69 | 47.40 | 41.60 | 65.56 | 60.19 | 54.89 | 49.58 | 43.57 | |

LEGEND

- BF — Bypass Factor
- EDB — Entering Dry Bulb (F)
- EWB — Entering Wet Bulb (F)
- EWT — Entering Water Temperature (F)
- kW — Compressor Motor Power Input (kilowatts)
- LDB — Leaving Dry Bulb (F)
- LWB — Leaving Wet Bulb (F)
- SHC — Sensible Capacity (1000 Btu/hr)
- TC — Total Capacity (1000 Btu/hr)



COOLING CAPACITIES (cont)
50XJF104 WITH (4) 25 HP COMPRESSORS (cont)

| EWT (F) | GPM | BF | AIR ENTERING EVAPORATOR — CFM AT 80 F EDB | | | | | | | | | | | | | | |
|---------|------|-------|---|-------|-------|-------|-------|--------|-------|-------|-------|-------|--------|-------|-------|-------|-------|
| | | | 23,000 | | | | | 28,000 | | | | | 33,500 | | | | |
| | | | Air Entering Evaporator — Ewb (F) | | | | | | | | | | | | | | |
| | | | 77 | 72 | 67 | 62 | 57 | 77 | 72 | 67 | 62 | 57 | 77 | 72 | 67 | 62 | 57 |
| 0.001 | 0.05 | 0.053 | 0.053 | 0.102 | 0.002 | 0.069 | 0.07 | 0.076 | 0.226 | 0.052 | 0.086 | 0.085 | 0.104 | 0.317 | | | |
| 95 | 250 | TC | 1331 | 1215 | 1109 | 1013 | 941 | 1392 | 1272 | 1162 | 1065 | 1019 | 1432 | 1311 | 1199 | 1103 | 1077 |
| | | SHC | 490 | 611 | 727 | 841 | 941 | 516 | 663 | 805 | 945 | 1019 | 536 | 708 | 876 | 1036 | 1077 |
| | | LDB | 61.16 | 55.86 | 50.75 | 45.75 | 41.31 | 64.22 | 59.13 | 54.16 | 49.29 | 46.64 | 66.30 | 61.36 | 56.47 | 51.84 | 50.52 |
| | | LWB | 61.16 | 55.69 | 50.30 | 44.99 | 39.46 | 64.22 | 58.80 | 53.45 | 48.13 | 42.21 | 66.23 | 60.85 | 55.53 | 50.20 | 44.14 |
| | 313 | TC | 1341 | 1223 | 1115 | 1018 | 945 | 1403 | 1281 | 1170 | 1071 | 1023 | 1444 | 1321 | 1207 | 1110 | 1082 |
| | | SHC | 493 | 614 | 730 | 843 | 945 | 520 | 666 | 809 | 948 | 1023 | 540 | 711 | 880 | 1039 | 1082 |
| | | LDB | 61.03 | 55.74 | 50.64 | 45.65 | 41.16 | 64.10 | 59.02 | 54.06 | 49.19 | 46.51 | 66.19 | 61.26 | 56.38 | 51.75 | 50.39 |
| | | LWB | 61.03 | 55.57 | 50.19 | 44.89 | 39.38 | 64.10 | 58.69 | 53.35 | 48.05 | 42.15 | 66.13 | 60.76 | 55.45 | 50.12 | 44.07 |
| | 375 | TC | 1347 | 1228 | 1119 | 1021 | 947 | 1410 | 1287 | 1174 | 1075 | 1026 | 1452 | 1327 | 1212 | 1114 | 1086 |
| | | SHC | 495 | 616 | 731 | 845 | 947 | 522 | 668 | 811 | 950 | 1026 | 543 | 714 | 882 | 1041 | 1086 |
| | | LDB | 60.94 | 55.66 | 50.57 | 45.58 | 41.07 | 64.02 | 58.95 | 53.99 | 49.13 | 46.42 | 66.12 | 61.20 | 56.32 | 51.70 | 50.30 |
| | | LWB | 60.94 | 55.49 | 50.12 | 44.83 | 39.33 | 64.02 | 58.62 | 53.29 | 47.99 | 42.10 | 66.06 | 60.70 | 55.39 | 50.07 | 44.03 |
| 438 | TC | 1351 | 1231 | 1122 | 1023 | 949 | 1415 | 1291 | 1178 | 1077 | 1028 | 1457 | 1332 | 1216 | 1117 | 1088 | |
| | SHC | 497 | 617 | 733 | 846 | 949 | 524 | 670 | 812 | 952 | 1028 | 545 | 715 | 884 | 1043 | 1088 | |
| | LDB | 60.88 | 55.60 | 50.51 | 45.53 | 41.00 | 63.97 | 58.90 | 53.95 | 49.09 | 46.35 | 66.07 | 61.15 | 56.28 | 51.65 | 50.23 | |
| | LWB | 60.88 | 55.43 | 50.07 | 44.78 | 39.29 | 63.97 | 58.57 | 53.24 | 47.95 | 42.07 | 66.01 | 60.65 | 55.35 | 50.04 | 44.00 | |
| 105 | 250 | TC | 1286 | 1174 | 1071 | 979 | 914 | 1341 | 1226 | 1120 | 1027 | 989 | 1378 | 1262 | 1154 | 1064 | 1045 |
| | | SHC | 473 | 594 | 710 | 823 | 914 | 498 | 644 | 787 | 926 | 989 | 518 | 689 | 858 | 1015 | 1045 |
| | | LDB | 61.80 | 56.53 | 51.43 | 46.44 | 42.43 | 64.75 | 59.71 | 54.73 | 49.89 | 47.63 | 66.76 | 61.84 | 56.95 | 52.39 | 51.42 |
| | | LWB | 61.80 | 56.34 | 50.97 | 45.66 | 40.05 | 64.75 | 59.35 | 54.01 | 48.69 | 42.71 | 66.68 | 61.31 | 56.01 | 50.66 | 44.58 |
| | 313 | TC | 1295 | 1182 | 1078 | 984 | 918 | 1352 | 1235 | 1128 | 1033 | 993 | 1391 | 1272 | 1162 | 1071 | 1050 |
| | | SHC | 476 | 597 | 713 | 826 | 918 | 502 | 648 | 791 | 929 | 993 | 522 | 693 | 862 | 1019 | 1050 |
| | | LDB | 61.67 | 56.41 | 51.31 | 46.33 | 42.28 | 64.63 | 59.60 | 54.63 | 49.79 | 47.48 | 66.66 | 61.74 | 56.86 | 52.30 | 51.27 |
| | | LWB | 61.67 | 56.22 | 50.85 | 45.56 | 39.97 | 64.63 | 59.24 | 53.91 | 48.60 | 42.64 | 66.58 | 61.22 | 55.92 | 50.58 | 44.51 |
| | 375 | TC | 1301 | 1186 | 1082 | 987 | 920 | 1359 | 1241 | 1133 | 1037 | 996 | 1398 | 1279 | 1168 | 1075 | 1053 |
| | | SHC | 479 | 599 | 715 | 828 | 920 | 505 | 650 | 793 | 931 | 996 | 525 | 695 | 864 | 1021 | 1053 |
| | | LDB | 61.59 | 56.33 | 51.24 | 46.26 | 42.18 | 64.56 | 59.52 | 54.57 | 49.73 | 47.39 | 66.59 | 61.68 | 56.80 | 52.24 | 51.18 |
| | | LWB | 61.59 | 56.14 | 50.78 | 45.49 | 39.92 | 64.56 | 59.17 | 53.84 | 48.54 | 42.59 | 66.51 | 61.16 | 55.86 | 50.53 | 44.46 |
| 438 | TC | 1306 | 1190 | 1084 | 990 | 922 | 1365 | 1245 | 1136 | 1040 | 998 | 1404 | 1283 | 1172 | 1078 | 1056 | |
| | SHC | 480 | 600 | 716 | 829 | 922 | 506 | 652 | 794 | 933 | 998 | 527 | 697 | 865 | 1023 | 1056 | |
| | LDB | 61.52 | 56.27 | 51.19 | 46.21 | 42.11 | 64.50 | 59.46 | 54.52 | 49.68 | 47.31 | 66.54 | 61.63 | 56.76 | 52.19 | 51.11 | |
| | LWB | 61.52 | 56.08 | 50.73 | 45.44 | 39.88 | 64.50 | 59.12 | 53.80 | 48.50 | 42.55 | 66.46 | 61.11 | 55.82 | 50.50 | 44.43 | |
| 438 | TC | 1306 | 1190 | 1084 | 990 | 922 | 1365 | 1245 | 1136 | 1040 | 998 | 1404 | 1283 | 1172 | 1078 | 1056 | |
| | SHC | 480 | 600 | 716 | 829 | 922 | 506 | 652 | 794 | 933 | 998 | 527 | 697 | 865 | 1023 | 1056 | |
| | LDB | 61.52 | 56.27 | 51.19 | 46.21 | 42.11 | 64.50 | 59.46 | 54.52 | 49.68 | 47.31 | 66.54 | 61.63 | 56.76 | 52.19 | 51.11 | |
| | LWB | 61.52 | 56.08 | 50.73 | 45.44 | 39.88 | 64.50 | 59.12 | 53.80 | 48.50 | 42.55 | 66.46 | 61.11 | 55.82 | 50.50 | 44.43 | |
| 438 | TC | 1306 | 1190 | 1084 | 990 | 922 | 1365 | 1245 | 1136 | 1040 | 998 | 1404 | 1283 | 1172 | 1078 | 1056 | |
| | SHC | 480 | 600 | 716 | 829 | 922 | 506 | 652 | 794 | 933 | 998 | 527 | 697 | 865 | 1023 | 1056 | |
| | LDB | 61.52 | 56.27 | 51.19 | 46.21 | 42.11 | 64.50 | 59.46 | 54.52 | 49.68 | 47.31 | 66.54 | 61.63 | 56.76 | 52.19 | 51.11 | |
| | LWB | 61.52 | 56.08 | 50.73 | 45.44 | 39.88 | 64.50 | 59.12 | 53.80 | 48.50 | 42.55 | 66.46 | 61.11 | 55.82 | 50.50 | 44.43 | |

LEGEND

- | | |
|--|--|
| BF — Bypass Factor | LDB — Leaving Dry Bulb (F) |
| EDB — Entering Dry Bulb (F) | LWB — Leaving Wet Bulb (F) |
| EWB — Entering Wet Bulb (F) | SHC — Sensible Capacity (1000 Btu/hr) |
| EWT — Entering Water Temperature (F) | TC — Total Capacity (1000 Btu/hr) |
| kW — Compressor Motor Power Input (kilowatts) | |

LEGEND FOR WATERSIDE ECONOMIZER TABLES

- | |
|--|
| BF — Bypass Factor |
| EWB — Entering Wet Bulb (F) |
| EWT — Entering Water Temperature (F) |
| LDB — Leaving Dry Bulb (F) |
| LWB — Leaving Wet Bulb (F) |
| SHC — Sensible Capacity (1000 Btu/hr) |
| TC — Total Capacity (1000 Btu/hr) |

Performance data (cont)



WATERSIDE ECONOMIZER COOLING CAPACITY 50XJ064

| EWT (F) | GPM | BF | AIR ENTERING EVAPORATOR — CFM | | | | | | | | | | | | | | |
|---------|-------|-------|-----------------------------------|-------|-------|-------|-------|--------|-------|-------|-------|-------|--------|-------|-------|-------|-------|
| | | | 15,200 | | | | | 19,000 | | | | | 23,000 | | | | |
| | | | Air Entering Evaporator — Ewb (F) | | | | | | | | | | | | | | |
| | | | 77 | 72 | 67 | 62 | 57 | 77 | 72 | 67 | 62 | 57 | 77 | 72 | 67 | 62 | 57 |
| 0.056 | 0.056 | 0.081 | 0.300 | 0.310 | 0.056 | 0.059 | 0.105 | 0.300 | 0.310 | 0.056 | 0.071 | 0.138 | 0.300 | 0.310 | | | |
| 45 | 70 | TC | 715 | 579 | 463 | 414 | 413 | 754 | 613 | 506 | 470 | 469 | 783 | 640 | 541 | 518 | 517 |
| | | SHC | 173 | 269 | 362 | 414 | 413 | 190 | 313 | 424 | 470 | 469 | 208 | 354 | 484 | 518 | 517 |
| | | LDB | 65.27 | 61.33 | 57.50 | 55.18 | 55.11 | 67.31 | 63.11 | 59.18 | 57.45 | 57.38 | 68.81 | 64.53 | 60.59 | 59.47 | 59.39 |
| | 120 | LWB | 65.27 | 61.33 | 57.45 | 52.45 | 46.36 | 67.31 | 63.11 | 58.72 | 53.39 | 47.41 | 68.81 | 64.40 | 59.73 | 54.21 | 48.33 |
| | | TC | 910 | 728 | 561 | 457 | 455 | 989 | 793 | 620 | 530 | 528 | 1051 | 845 | 670 | 596 | 595 |
| | | SHC | 213 | 305 | 389 | 457 | 455 | 235 | 353 | 460 | 530 | 528 | 256 | 400 | 528 | 596 | 595 |
| | 170 | LDB | 61.43 | 58.16 | 55.20 | 52.58 | 52.58 | 63.80 | 60.16 | 56.87 | 54.57 | 54.50 | 65.63 | 61.78 | 58.33 | 56.35 | 56.28 |
| | | LWB | 61.42 | 58.16 | 55.20 | 51.33 | 45.15 | 63.80 | 60.16 | 56.70 | 52.18 | 46.06 | 65.63 | 61.73 | 57.89 | 52.93 | 46.90 |
| | | TC | 1014 | 808 | 618 | 480 | 474 | 1124 | 896 | 687 | 559 | 557 | 1213 | 968 | 751 | 635 | 633 |
| | 220 | SHC | 237 | 325 | 405 | 474 | 474 | 263 | 378 | 480 | 559 | 556 | 288 | 429 | 552 | 635 | 633 |
| | | LDB | 59.23 | 56.36 | 53.85 | 51.51 | 51.44 | 61.64 | 58.40 | 55.57 | 53.16 | 53.15 | 63.58 | 60.06 | 57.03 | 54.84 | 54.77 |
| | | LWB | 59.23 | 56.36 | 53.85 | 50.75 | 44.59 | 61.64 | 58.40 | 55.47 | 51.58 | 45.41 | 63.58 | 60.05 | 56.69 | 52.29 | 46.19 |
| 270 | TC | 1079 | 857 | 654 | 495 | 484 | 1210 | 962 | 735 | 576 | 573 | 1320 | 1049 | 804 | 659 | 655 | |
| | SHC | 252 | 338 | 416 | 482 | 484 | 283 | 394 | 494 | 576 | 573 | 310 | 449 | 568 | 658 | 655 | |
| | LDB | 57.81 | 55.22 | 52.98 | 50.95 | 50.80 | 60.20 | 57.23 | 54.64 | 52.35 | 52.37 | 62.18 | 58.90 | 56.17 | 53.90 | 53.88 | |
| 270 | LWB | 57.81 | 55.22 | 52.98 | 50.35 | 44.28 | 60.20 | 57.23 | 54.56 | 51.22 | 45.04 | 62.18 | 58.90 | 55.88 | 51.88 | 45.76 | |
| | TC | 1122 | 890 | 678 | 508 | 491 | 1270 | 1007 | 768 | 591 | 583 | 1395 | 1106 | 847 | 674 | 670 | |
| | SHC | 263 | 347 | 423 | 488 | 491 | 297 | 406 | 503 | 584 | 583 | 327 | 463 | 581 | 674 | 670 | |
| 270 | LDB | 56.82 | 54.43 | 52.39 | 50.53 | 50.38 | 59.18 | 56.40 | 54.01 | 51.91 | 51.86 | 61.16 | 58.06 | 55.48 | 53.29 | 53.29 | |
| | LWB | 56.82 | 54.43 | 52.39 | 50.01 | 44.08 | 59.18 | 56.40 | 53.92 | 50.93 | 44.80 | 61.16 | 58.08 | 55.22 | 51.62 | 45.48 | |
| | TC | 504 | 376 | 300 | 298 | 297 | 529 | 402 | 340 | 339 | 338 | 548 | 422 | 375 | 374 | 373 | |
| 55 | 70 | SHC | 134 | 226 | 300 | 298 | 297 | 152 | 267 | 340 | 339 | 168 | 305 | 375 | 374 | 373 | |
| | | LDB | 69.07 | 65.31 | 62.12 | 62.11 | 62.06 | 70.41 | 66.45 | 63.79 | 63.73 | 63.68 | 71.43 | 67.41 | 65.23 | 65.18 | 65.13 |
| | | LWB | 69.07 | 65.31 | 60.97 | 55.29 | 49.54 | 70.41 | 66.32 | 61.56 | 55.93 | 50.25 | 71.40 | 67.08 | 62.06 | 56.49 | 50.88 |
| | 120 | TC | 649 | 474 | 339 | 328 | 327 | 701 | 513 | 386 | 382 | 381 | 742 | 546 | 432 | 430 | 429 |
| | | SHC | 160 | 246 | 322 | 328 | 327 | 181 | 291 | 382 | 382 | 381 | 201 | 333 | 432 | 430 | 429 |
| | | LDB | 66.49 | 63.45 | 60.63 | 60.32 | 60.28 | 68.06 | 64.69 | 61.75 | 61.69 | 61.64 | 69.28 | 65.77 | 62.97 | 62.96 | 62.91 |
| | 170 | LWB | 66.49 | 63.45 | 60.14 | 54.57 | 48.74 | 68.06 | 64.66 | 60.77 | 55.12 | 49.35 | 69.28 | 65.57 | 61.26 | 55.62 | 49.90 |
| | | TC | 730 | 529 | 365 | 341 | 340 | 803 | 583 | 414 | 401 | 400 | 862 | 628 | 463 | 457 | 456 |
| | | SHC | 176 | 258 | 331 | 341 | 340 | 199 | 305 | 395 | 401 | 400 | 221 | 350 | 456 | 457 | 456 |
| | 220 | LDB | 64.98 | 62.34 | 59.96 | 59.53 | 59.48 | 66.60 | 63.61 | 61.00 | 60.74 | 60.69 | 67.90 | 64.72 | 61.97 | 61.89 | 61.84 |
| | | LWB | 64.98 | 62.34 | 59.59 | 54.25 | 48.38 | 66.60 | 63.57 | 60.30 | 54.73 | 48.92 | 67.90 | 64.55 | 60.82 | 55.19 | 49.43 |
| | | TC | 781 | 564 | 381 | 349 | 348 | 870 | 629 | 436 | 413 | 411 | 942 | 684 | 485 | 473 | 471 |
| 270 | SHC | 186 | 266 | 336 | 349 | 348 | 212 | 315 | 403 | 413 | 411 | 236 | 362 | 468 | 473 | 471 | |
| | LDB | 64.00 | 61.64 | 59.56 | 59.08 | 59.04 | 65.61 | 62.90 | 60.53 | 60.20 | 60.15 | 66.95 | 64.01 | 61.47 | 61.27 | 61.22 | |
| | LWB | 64.00 | 61.64 | 59.25 | 54.07 | 48.18 | 65.61 | 62.85 | 59.92 | 54.51 | 48.68 | 66.95 | 63.84 | 60.52 | 54.94 | 49.15 | |
| 270 | TC | 816 | 588 | 391 | 353 | 352 | 916 | 661 | 451 | 420 | 419 | 1000 | 724 | 505 | 483 | 482 | |
| | SHC | 193 | 271 | 339 | 353 | 352 | 221 | 322 | 408 | 420 | 419 | 246 | 370 | 475 | 483 | 482 | |
| | LDB | 63.32 | 61.15 | 59.30 | 58.79 | 58.76 | 64.92 | 62.40 | 60.24 | 59.84 | 59.80 | 66.25 | 63.50 | 61.10 | 60.86 | 60.81 | |
| 270 | LWB | 63.32 | 61.15 | 59.03 | 53.95 | 48.05 | 64.92 | 62.34 | 59.68 | 54.37 | 48.52 | 66.25 | 63.33 | 60.25 | 54.77 | 48.97 | |
| | TC | 281 | 184 | 181 | 180 | 180 | 294 | 207 | 206 | 205 | 205 | 304 | 227 | 227 | 226 | 226 | |
| | SHC | 99 | 180 | 181 | 180 | 180 | 115 | 207 | 206 | 205 | 205 | 131 | 227 | 227 | 226 | 226 | |
| 65 | LDB | 72.73 | 69.29 | 69.21 | 69.18 | 69.15 | 73.44 | 70.20 | 70.19 | 70.15 | 70.12 | 74.00 | 71.09 | 71.06 | 71.02 | 70.99 | |
| | LWB | 72.73 | 68.78 | 63.45 | 58.04 | 52.61 | 73.43 | 69.10 | 63.77 | 58.41 | 53.01 | 73.94 | 69.36 | 64.06 | 58.72 | 53.37 | |
| | TC | 365 | 214 | 199 | 198 | 198 | 392 | 239 | 231 | 231 | 230 | 414 | 264 | 261 | 260 | 260 | |
| 120 | SHC | 112 | 191 | 199 | 198 | 198 | 130 | 227 | 231 | 231 | 230 | 147 | 261 | 261 | 260 | 259 | |
| | LDB | 71.38 | 68.51 | 68.15 | 68.12 | 68.09 | 72.20 | 69.16 | 68.97 | 68.93 | 68.90 | 72.87 | 69.75 | 69.73 | 69.69 | 69.66 | |
| | LWB | 71.38 | 68.25 | 63.09 | 57.64 | 52.16 | 72.20 | 68.64 | 63.36 | 57.94 | 52.50 | 72.81 | 68.93 | 63.61 | 58.22 | 52.81 | |
| 170 | TC | 414 | 231 | 207 | 206 | 205 | 452 | 261 | 243 | 242 | 242 | 484 | 287 | 277 | 276 | 275 | |
| | SHC | 120 | 195 | 207 | 206 | 205 | 139 | 234 | 243 | 242 | 242 | 158 | 272 | 277 | 276 | 275 | |
| | LDB | 70.58 | 68.13 | 67.68 | 67.65 | 67.63 | 71.43 | 68.72 | 68.41 | 68.38 | 68.35 | 72.14 | 69.28 | 69.09 | 69.06 | 69.03 | |
| 220 | LWB | 70.58 | 67.94 | 62.92 | 57.46 | 51.97 | 71.42 | 68.33 | 63.17 | 57.73 | 52.26 | 72.09 | 68.66 | 63.39 | 57.98 | 52.55 | |
| | TC | 446 | 244 | 211 | 210 | 209 | 492 | 276 | 250 | 249 | 248 | 531 | 306 | 286 | 285 | 284 | |
| | SHC | 125 | 198 | 211 | 210 | 209 | 146 | 238 | 250 | 249 | 248 | 165 | 277 | 286 | 285 | 284 | |
| 270 | LDB | 70.06 | 67.87 | 67.42 | 67.40 | 67.37 | 70.90 | 68.47 | 68.09 | 68.06 | 68.03 | 71.63 | 68.98 | 68.72 | 68.69 | 68.67 | |
| | LWB | 70.06 | 67.72 | 62.84 | 57.36 | 51.86 | 70.90 | 68.12 | 63.06 | 57.61 | 52.13 | 71.58 | 68.44 | 63.27 | 57.85 | 52.39 | |
| | TC | 467 | 253 | 214 | 213 | 212 | 520 | 286 | 254 | 253 | 252 | 566 | 318 | 292 | 291 | 290 | |
| 75 | SHC | 128 | 200 | 214 | 213 | 212 | 150 | 240 | 254 | 253 | 252 | 171 | 281 | 292 | 291 | 290 | |
| | LDB | 69.69 | 67.70 | 67.26 | 67.23 | 67.21 | 70.53 | 68.30 | 67.88 | 67.85 | 67.83 | 71.26 | 68.80 | 68.48 | 68.45 | 68.43 | |
| | LWB | 69.69 | 67.55 | 62.78 | 57.30 | 51.79 | 70.53 | 67.98 | 62.99 | 57.53 | 52.04 | 71.21 | 68.30 | 63.18 | 57.75 | 52.29 | |
| 75 | 70 | TC | 61 | 61 | 61 | 61 | 60 | 69 | 70 | 69 | 69 | 77 | 76 | 76 | 76 | 76 | |
| | | SHC | 61 | 61 | 61 | 61 | 60 | 69 | 69 | 69 | 69 | 69 | 77 | 76 | 76 | 76 | |
| | | LDB | 76.39 | 76.39 | 76.37 | 76.36 | 76.35 | 76.73 | 76.71 | 76.70 | 76.69 | 76.68 | 77.02 | 77.01 | 76.99 | 76.98 | 76.97 |
| | 120 | LWB | 76.05 | 70.95 | 65.82 | 60.69 | 55.56 | 76.13 | 71.03 | 65.92 | 60.80 | 55.68 | 76.20 | 71.11 | 66.01 | 60.90 | 55.79 |
| | | TC | 69 | 67 | 67 | 66 | 66 | 78 | 78 | 78 | 77 | 77 | 88 | 88 | 88 | 87 | 87 |
| | | SHC | 66 | 67 | 67 | 66 | 66 | 78 | 78 | 78 | 77 | 77 | 88 | 88 | 88 | 87 | 87 |
| | 170 | LDB | 76.08 | 76.04 | 76.03 | 76.02 | 76.01 | 76.28 | 76.31 | 76.30 | 76.29 | 76.28 | 76.58 | 76.56 | 76.55 | 76.54 | 76.53 |
| | | LWB | 75.93 | 70.84 | 65.71 | 60.57 | 55.42 | 76.02 | 70.91 | 65.79 | 60.66 | 55.52 | 76.08 | 70.97 | 65.87 | 60.74 | 55.61 |
| | | TC | 74 | 69 | 69 | 69 | 69 | 84 | 82 | 81 | 81 | 81 | 94 | 93 | 93 | 93 | 92 |
| | 220 | SHC | 68 | 69 | 69 | 69 | 69 | 82 | 82 | 81 | 81 | 81 | 94 | 93 | 93 | 93 | 92 |
| | | LDB | 75.95 | 75.89 | 75.88 | 75.87 | 75.86 | 76.14 | 76.13 | 76.12 | 76.11 | 76.10 | 76.30 | 76.35 | 76.34 | 76.33 | 76.32 |
| | | LWB | 75.85 | 70.80 | 65.66 | 60.52 | 55.36 | 75.95 | 70.86 | 65.73 | 60.60 | 55.45 | 76.02 | 70.92 | 65.80 | 60.67 | 55.53 |
| 270 | TC | 78 | 71 | 71 | 70 | 70 | 88 | 84 | 84 | 83 | 83 | 98 | 96 | 96 | 96 | 95 | |
| | SHC | 69 | 71 | 71 | 70 | 70 | 83 | 84 | 84 | 83 | 83 | 97 | 96 | 96 | 96 | 95 | |
| | LDB | 75.89 | 75.80 | 75.79 | 75.78 | 75.78 | 76.05 | 76.02 | 76.01 | 76.00 | 75.99 | 76.22 | 76.23 | 76.22 | 76.21 | 76.20 | |
| 270 | LWB | 75.80 | 70.77 | 65.64 | 60.49 | 55.33 | 75.90 | 70.83 | 65.70 | 60.56 | 55.41 | 75.98 | 70.88 | 65.76 | 60.63 | 55.48 | |
| | TC | 81 | 72 | 71 | 71 | 71 | 92 | 85 | 85 | 85 | 84 | 101 | 98 | 98 | 98 | 97 | |
| | SHC | 69 | 72 | 71 | 71 | 71 | 84 | 85 | 85 | 84 | 84 | 98 | 98 | 98 | 98 | 9 | |



WATERSIDE ECONOMIZER COOLING CAPACITY (cont)
50XJ074

| EWT (F) | GPM | BF | AIR ENTERING EVAPORATOR — CFM | | | | | | | | | | | | | | |
|---------|-------|-------|-----------------------------------|-------|-------|-------|-------|--------|-------|-------|-------|-------|--------|-------|-------|-------|-------|
| | | | 15,200 | | | | | 19,000 | | | | | 23,000 | | | | |
| | | | Air Entering Evaporator — Ewb (F) | | | | | | | | | | | | | | |
| | | | 77 | 72 | 67 | 62 | 57 | 77 | 72 | 67 | 62 | 57 | 77 | 72 | 67 | 62 | 57 |
| 0.056 | 0.056 | 0.081 | 0.300 | 0.310 | 0.056 | 0.059 | 0.105 | 0.300 | 0.310 | 0.056 | 0.071 | 0.138 | 0.300 | 0.310 | | | |
| 45 | 70 | TC | 715 | 579 | 463 | 414 | 413 | 754 | 613 | 506 | 470 | 469 | 783 | 640 | 541 | 518 | 517 |
| | | SHC | 173 | 269 | 362 | 414 | 413 | 190 | 313 | 424 | 470 | 469 | 208 | 354 | 484 | 518 | 517 |
| | | LDB | 65.27 | 61.33 | 57.50 | 55.18 | 55.11 | 67.31 | 63.11 | 59.18 | 57.45 | 57.38 | 68.81 | 64.53 | 60.59 | 59.47 | 59.39 |
| | 120 | LWB | 65.27 | 61.33 | 57.45 | 52.45 | 46.36 | 67.31 | 63.11 | 58.72 | 53.39 | 47.41 | 68.81 | 64.40 | 59.73 | 54.21 | 48.33 |
| | | TC | 910 | 728 | 561 | 457 | 455 | 989 | 793 | 620 | 530 | 528 | 1051 | 845 | 670 | 596 | 595 |
| | | SHC | 213 | 305 | 389 | 457 | 455 | 235 | 353 | 460 | 530 | 528 | 256 | 400 | 528 | 596 | 595 |
| | 170 | LDB | 61.43 | 58.16 | 55.20 | 52.58 | 52.58 | 63.80 | 60.16 | 56.87 | 54.57 | 54.50 | 65.63 | 61.78 | 58.33 | 56.35 | 56.28 |
| | | LWB | 61.42 | 58.16 | 55.20 | 51.33 | 45.15 | 63.80 | 60.16 | 56.70 | 52.18 | 46.06 | 65.63 | 61.73 | 57.89 | 52.93 | 46.90 |
| | | TC | 1014 | 808 | 618 | 480 | 474 | 1124 | 896 | 687 | 559 | 557 | 1213 | 968 | 751 | 635 | 633 |
| | 220 | SHC | 237 | 325 | 405 | 474 | 474 | 263 | 378 | 480 | 559 | 556 | 288 | 429 | 552 | 635 | 633 |
| | | LDB | 59.23 | 56.36 | 53.85 | 51.51 | 51.44 | 61.64 | 58.40 | 55.57 | 53.16 | 53.15 | 63.58 | 60.06 | 57.03 | 54.84 | 54.77 |
| | | LWB | 59.23 | 56.36 | 53.85 | 50.75 | 44.59 | 61.64 | 58.40 | 55.47 | 51.58 | 45.41 | 63.58 | 60.05 | 56.69 | 52.29 | 46.19 |
| 270 | TC | 1079 | 857 | 654 | 495 | 484 | 1210 | 962 | 735 | 576 | 573 | 1320 | 1049 | 804 | 659 | 655 | |
| | SHC | 252 | 338 | 416 | 482 | 484 | 283 | 394 | 494 | 576 | 573 | 310 | 449 | 568 | 658 | 655 | |
| | LDB | 57.81 | 55.22 | 52.98 | 50.95 | 50.80 | 60.20 | 57.23 | 54.64 | 52.35 | 52.37 | 62.18 | 58.90 | 56.17 | 53.90 | 53.88 | |
| 55 | LWB | 57.81 | 55.22 | 52.98 | 50.35 | 44.28 | 60.20 | 57.23 | 54.56 | 51.22 | 45.04 | 62.18 | 58.90 | 55.88 | 51.88 | 45.76 | |
| | TC | 1122 | 890 | 678 | 508 | 491 | 1270 | 1007 | 768 | 591 | 583 | 1395 | 1106 | 847 | 674 | 670 | |
| | SHC | 263 | 347 | 423 | 488 | 491 | 297 | 406 | 503 | 584 | 583 | 327 | 463 | 581 | 674 | 670 | |
| 70 | LDB | 56.82 | 54.43 | 52.39 | 50.53 | 50.38 | 59.18 | 56.40 | 54.01 | 51.91 | 51.86 | 61.16 | 58.06 | 55.48 | 53.29 | 53.29 | |
| | LWB | 56.82 | 54.43 | 52.39 | 50.01 | 44.08 | 59.18 | 56.40 | 53.92 | 50.93 | 44.80 | 61.16 | 58.08 | 55.22 | 51.62 | 45.48 | |
| | TC | 504 | 376 | 300 | 298 | 297 | 529 | 402 | 340 | 339 | 338 | 422 | 338 | 375 | 374 | 373 | |
| 120 | SHC | 134 | 226 | 300 | 298 | 297 | 152 | 267 | 340 | 339 | 338 | 168 | 305 | 375 | 374 | 373 | |
| | LDB | 69.07 | 65.31 | 62.12 | 62.11 | 62.06 | 70.41 | 66.45 | 63.79 | 63.73 | 63.68 | 71.43 | 67.41 | 65.23 | 65.18 | 65.13 | |
| | LWB | 69.07 | 65.31 | 60.97 | 55.29 | 49.54 | 70.41 | 66.32 | 61.56 | 55.93 | 50.25 | 71.40 | 67.08 | 62.06 | 56.49 | 50.88 | |
| 170 | TC | 649 | 474 | 339 | 328 | 327 | 701 | 513 | 386 | 382 | 381 | 742 | 546 | 432 | 430 | 429 | |
| | SHC | 160 | 246 | 322 | 328 | 327 | 181 | 291 | 382 | 382 | 381 | 201 | 333 | 432 | 430 | 429 | |
| | LDB | 66.49 | 63.45 | 60.63 | 60.32 | 60.28 | 68.06 | 64.69 | 61.75 | 61.69 | 61.64 | 69.28 | 65.77 | 62.97 | 62.96 | 62.91 | |
| 220 | LWB | 66.49 | 63.45 | 60.14 | 54.57 | 48.74 | 68.06 | 64.66 | 60.77 | 55.12 | 49.35 | 69.28 | 65.57 | 61.26 | 55.62 | 49.90 | |
| | TC | 730 | 529 | 365 | 341 | 340 | 803 | 583 | 414 | 401 | 400 | 862 | 628 | 463 | 457 | 456 | |
| | SHC | 176 | 258 | 331 | 341 | 340 | 199 | 305 | 395 | 401 | 400 | 221 | 350 | 456 | 457 | 456 | |
| 270 | LDB | 64.98 | 62.34 | 59.96 | 59.53 | 59.48 | 66.60 | 63.61 | 61.00 | 60.74 | 60.69 | 67.90 | 64.72 | 61.97 | 61.89 | 61.84 | |
| | LWB | 64.98 | 62.34 | 59.59 | 54.25 | 48.38 | 66.60 | 63.57 | 60.30 | 54.73 | 48.92 | 67.90 | 64.55 | 60.82 | 55.19 | 49.43 | |
| | TC | 781 | 564 | 381 | 349 | 348 | 870 | 629 | 436 | 413 | 411 | 942 | 684 | 485 | 473 | 471 | |
| 70 | SHC | 186 | 266 | 336 | 349 | 348 | 212 | 315 | 403 | 413 | 411 | 236 | 362 | 468 | 473 | 471 | |
| | LDB | 64.00 | 61.64 | 59.56 | 59.08 | 59.04 | 65.61 | 62.90 | 60.53 | 60.20 | 60.15 | 66.95 | 64.01 | 61.47 | 61.27 | 61.22 | |
| | LWB | 64.00 | 61.64 | 59.25 | 54.07 | 48.18 | 65.61 | 62.85 | 59.92 | 54.51 | 48.68 | 66.95 | 63.84 | 60.52 | 54.94 | 49.15 | |
| 120 | TC | 816 | 588 | 391 | 353 | 352 | 916 | 661 | 451 | 420 | 419 | 1000 | 724 | 505 | 483 | 482 | |
| | SHC | 193 | 271 | 339 | 353 | 352 | 221 | 322 | 408 | 420 | 419 | 246 | 370 | 475 | 483 | 482 | |
| | LDB | 63.32 | 61.15 | 59.30 | 58.79 | 58.76 | 64.92 | 62.40 | 60.24 | 59.84 | 59.80 | 66.25 | 63.50 | 61.10 | 60.86 | 60.81 | |
| 170 | LWB | 63.32 | 61.15 | 59.03 | 53.95 | 48.05 | 64.92 | 62.34 | 59.68 | 54.37 | 48.52 | 66.25 | 63.33 | 60.25 | 54.77 | 48.97 | |
| | TC | 281 | 184 | 181 | 180 | 180 | 294 | 207 | 206 | 205 | 205 | 304 | 227 | 227 | 226 | 226 | |
| | SHC | 99 | 180 | 181 | 180 | 180 | 115 | 207 | 206 | 205 | 205 | 131 | 227 | 227 | 226 | 226 | |
| 220 | LDB | 72.73 | 69.29 | 69.21 | 69.18 | 69.15 | 73.44 | 70.20 | 70.19 | 70.15 | 70.12 | 74.00 | 71.09 | 71.06 | 71.02 | 70.99 | |
| | LWB | 72.73 | 68.78 | 63.45 | 58.04 | 52.61 | 73.43 | 69.10 | 63.77 | 58.41 | 53.01 | 73.94 | 69.36 | 64.06 | 58.72 | 53.37 | |
| | TC | 365 | 214 | 199 | 198 | 198 | 392 | 239 | 231 | 231 | 230 | 414 | 264 | 261 | 260 | 260 | |
| 270 | SHC | 112 | 191 | 199 | 198 | 198 | 130 | 227 | 231 | 230 | 230 | 147 | 261 | 261 | 260 | 259 | |
| | LDB | 71.38 | 68.51 | 68.15 | 68.12 | 68.09 | 72.20 | 69.16 | 68.97 | 68.93 | 68.90 | 72.87 | 69.75 | 69.73 | 69.69 | 69.66 | |
| | LWB | 71.38 | 68.25 | 63.09 | 57.64 | 52.16 | 72.20 | 68.64 | 63.36 | 57.94 | 52.50 | 72.81 | 68.93 | 63.61 | 58.22 | 52.81 | |
| 70 | TC | 414 | 231 | 207 | 206 | 205 | 452 | 261 | 243 | 242 | 242 | 484 | 287 | 277 | 276 | 275 | |
| | SHC | 120 | 195 | 207 | 206 | 205 | 139 | 234 | 243 | 242 | 242 | 158 | 272 | 277 | 276 | 275 | |
| | LDB | 70.58 | 68.13 | 67.68 | 67.65 | 67.63 | 71.43 | 68.72 | 68.41 | 68.38 | 68.35 | 72.14 | 69.28 | 69.09 | 69.06 | 69.03 | |
| 120 | LWB | 70.58 | 67.94 | 62.92 | 57.46 | 51.97 | 71.42 | 68.33 | 63.17 | 57.73 | 52.26 | 72.09 | 68.66 | 63.39 | 57.98 | 52.55 | |
| | TC | 446 | 244 | 211 | 210 | 209 | 492 | 276 | 250 | 249 | 248 | 531 | 306 | 286 | 285 | 284 | |
| | SHC | 125 | 198 | 211 | 210 | 209 | 146 | 238 | 250 | 249 | 248 | 165 | 277 | 286 | 285 | 284 | |
| 170 | LDB | 70.06 | 67.87 | 67.42 | 67.40 | 67.37 | 70.90 | 68.47 | 68.09 | 68.06 | 68.03 | 71.63 | 68.98 | 68.72 | 68.69 | 68.67 | |
| | LWB | 70.06 | 67.72 | 62.84 | 57.36 | 51.86 | 70.90 | 68.12 | 63.06 | 57.61 | 52.13 | 71.58 | 68.44 | 63.27 | 57.85 | 52.39 | |
| | TC | 467 | 253 | 214 | 213 | 212 | 520 | 286 | 254 | 253 | 252 | 566 | 318 | 292 | 291 | 290 | |
| 220 | SHC | 128 | 200 | 214 | 213 | 212 | 150 | 240 | 254 | 253 | 252 | 171 | 281 | 292 | 291 | 290 | |
| | LDB | 69.69 | 67.70 | 67.26 | 67.23 | 67.21 | 70.53 | 68.30 | 67.88 | 67.85 | 67.83 | 71.26 | 68.80 | 68.48 | 68.45 | 68.43 | |
| | LWB | 69.69 | 67.55 | 62.78 | 57.30 | 51.79 | 70.53 | 67.98 | 62.99 | 57.53 | 52.04 | 71.21 | 68.30 | 63.18 | 57.75 | 52.29 | |
| 70 | TC | 61 | 61 | 61 | 61 | 60 | 69 | 70 | 69 | 69 | 69 | 77 | 76 | 76 | 76 | 76 | |
| | SHC | 61 | 61 | 61 | 61 | 60 | 69 | 69 | 69 | 69 | 69 | 77 | 76 | 76 | 76 | 76 | |
| | LDB | 76.39 | 76.39 | 76.37 | 76.36 | 76.35 | 76.73 | 76.71 | 76.70 | 76.69 | 76.68 | 77.02 | 77.01 | 76.99 | 76.98 | 76.97 | |
| 120 | LWB | 76.05 | 70.95 | 65.82 | 60.69 | 55.56 | 76.13 | 71.03 | 65.92 | 60.80 | 55.68 | 76.20 | 71.11 | 66.01 | 60.90 | 55.79 | |
| | TC | 69 | 67 | 67 | 66 | 66 | 78 | 78 | 78 | 77 | 77 | 88 | 88 | 88 | 87 | 87 | |
| | SHC | 66 | 67 | 67 | 66 | 66 | 78 | 78 | 78 | 77 | 77 | 88 | 88 | 88 | 87 | 87 | |
| 170 | LDB | 76.08 | 76.04 | 76.03 | 76.02 | 76.01 | 76.28 | 76.31 | 76.30 | 76.29 | 76.28 | 76.58 | 76.56 | 76.55 | 76.54 | 76.53 | |
| | LWB | 75.93 | 70.84 | 65.71 | 60.57 | 55.42 | 76.02 | 70.91 | 65.79 | 60.66 | 55.52 | 76.08 | 70.97 | 65.87 | 60.74 | 55.61 | |
| | TC | 74 | 69 | 69 | 69 | 69 | 84 | 82 | 81 | 81 | 81 | 94 | 93 | 93 | 93 | 92 | |
| 220 | SHC | 68 | 69 | 69 | 69 | 69 | 82 | 82 | 81 | 81 | 81 | 94 | 93 | 93 | 93 | 92 | |
| | LDB | 75.95 | 75.89 | 75.88 | 75.87 | 75.86 | 76.14 | 76.13 | 76.12 | 76.11 | 76.10 | 76.30 | 76.35 | 76.34 | 76.33 | 76.32 | |
| | LWB | 75.85 | 70.80 | 65.66 | 60.52 | 55.36 | 75.95 | 70.86 | 65.73 | 60.60 | 55.45 | 76.02 | 70.92 | 65.80 | 60.67 | 55.53 | |
| 270 | TC | 78 | 71 | 71 | 70 | 70 | 88 | 84 | 84 | 83 | 83 | 98 | 96 | 96 | 96 | 95 | |
| | SHC | 69 | 71 | 71 | 70 | 70 | 83 | 84 | 84 | 83 | 83 | 97 | 96 | 96 | 96 | 95 | |
| | LDB | 75.89 | 75.80 | 75.79 | 75.78 | 75.78 | 76.05 | 76.02 | 76.01 | 76.00 | 75.99 | 76.22 | 76.23 | 76.22 | 76.21 | 76.20 | |
| 75 | LWB | 75.80 | 70.77 | 65.64 | 60.49 | 55.33 | 75.90 | 70.83 | 65.70 | 60.56 | 55.41 | 75.98 | 70.88 | 65.76 | 60.63 | 55.48 | |
| | TC | 81 | 72 | 71 | 71 | 71 | 92 | 85 | 85 | 85 | 84 | 101 | 98 | 98 | 98 | 97 | |
| | SHC | 69 | 72 | 71 | 71 | 71 | 84 | 85 | 85 | 85 | 84 | 98 | 98 | 98 | 98 | 97 | |
| 270 | LDB | | | | | | | | | | | | | | | | |

Performance data (cont)



WATERSIDE ECONOMIZER COOLING CAPACITY (cont) 50XJ084

| EWT (F) | GPM | BF | AIR ENTERING EVAPORATOR — CFM | | | | | | | | | | | | | | |
|---------|-------|-------|-----------------------------------|-------|-------|-------|-------|--------|-------|-------|-------|-------|--------|-------|-------|-------|-------|
| | | | 19,300 | | | | | 24,000 | | | | | 29,000 | | | | |
| | | | Air Entering Evaporator — Ewb (F) | | | | | | | | | | | | | | |
| | | | 77 | 72 | 67 | 62 | 57 | 77 | 72 | 67 | 62 | 57 | 77 | 72 | 67 | 62 | 57 |
| 0.056 | 0.056 | 0.078 | 0.300 | 0.310 | 0.056 | 0.058 | 0.100 | 0.300 | 0.310 | 0.056 | 0.069 | 0.128 | 0.300 | 0.310 | | | |
| 45 | 90 | TC | 953 | 772 | 615 | 539 | 538 | 1007 | 818 | 670 | 613 | 612 | 1047 | 855 | 718 | 678 | 677 |
| | | SHC | 228 | 350 | 468 | 539 | 538 | 250 | 404 | 546 | 613 | 612 | 272 | 457 | 623 | 678 | 677 |
| | | LDB | 64.60 | 60.73 | 56.97 | 54.53 | 54.46 | 66.69 | 62.55 | 58.66 | 56.70 | 56.63 | 68.26 | 64.01 | 60.08 | 58.67 | 58.60 |
| | | LWB | 64.60 | 60.73 | 56.97 | 52.17 | 46.05 | 66.69 | 62.55 | 58.30 | 53.08 | 47.06 | 68.26 | 63.93 | 59.33 | 53.89 | 47.97 |
| | 155 | TC | 1202 | 962 | 739 | 591 | 588 | 1311 | 1051 | 817 | 685 | 683 | 1398 | 1123 | 885 | 773 | 772 |
| | | SHC | 281 | 396 | 502 | 591 | 588 | 310 | 457 | 592 | 685 | 683 | 337 | 518 | 679 | 773 | 772 |
| | | LDB | 60.67 | 57.50 | 54.72 | 52.07 | 52.09 | 63.03 | 59.50 | 56.34 | 53.97 | 53.90 | 64.91 | 61.13 | 57.80 | 55.68 | 55.61 |
| | | LWB | 60.67 | 57.50 | 54.72 | 51.11 | 44.91 | 63.03 | 59.50 | 56.21 | 51.93 | 45.78 | 64.91 | 61.12 | 57.42 | 52.64 | 46.58 |
| | 220 | TC | 1330 | 1059 | 809 | 620 | 609 | 1478 | 1178 | 899 | 720 | 716 | 1601 | 1277 | 986 | 818 | 816 |
| | | SHC | 311 | 422 | 522 | 608 | 609 | 346 | 488 | 616 | 720 | 716 | 378 | 555 | 709 | 818 | 816 |
| | | LDB | 58.49 | 55.75 | 53.38 | 51.18 | 51.06 | 60.87 | 57.75 | 55.07 | 52.64 | 52.66 | 62.84 | 59.41 | 56.52 | 54.28 | 54.21 |
| | | LWB | 58.49 | 55.75 | 53.38 | 50.53 | 44.41 | 60.87 | 57.75 | 55.00 | 51.36 | 45.18 | 62.84 | 59.42 | 56.22 | 52.05 | 45.91 |
| 285 | TC | 1407 | 1118 | 852 | 641 | 621 | 1582 | 1257 | 959 | 743 | 734 | 1732 | 1375 | 1055 | 847 | 842 | |
| | SHC | 330 | 438 | 534 | 618 | 621 | 370 | 509 | 633 | 736 | 734 | 406 | 580 | 729 | 846 | 842 | |
| | LDB | 57.14 | 54.67 | 52.56 | 50.62 | 50.48 | 59.48 | 56.62 | 54.16 | 51.99 | 51.96 | 61.46 | 58.27 | 55.63 | 53.39 | 53.39 | |
| | LWB | 57.14 | 54.67 | 52.56 | 50.09 | 44.13 | 59.48 | 56.62 | 54.09 | 50.99 | 44.84 | 61.46 | 58.30 | 55.38 | 51.67 | 45.53 | |
| 350 | TC | 1458 | 1156 | 880 | 655 | 629 | 1653 | 1311 | 999 | 759 | 746 | 1822 | 1444 | 1105 | 864 | 859 | |
| | SHC | 343 | 448 | 543 | 624 | 629 | 386 | 523 | 644 | 745 | 746 | 426 | 596 | 743 | 864 | 859 | |
| | LDB | 56.22 | 53.94 | 52.01 | 50.29 | 50.11 | 58.51 | 55.84 | 53.57 | 51.60 | 51.50 | 60.47 | 57.50 | 55.02 | 52.83 | 52.86 | |
| | LWB | 56.22 | 53.94 | 52.01 | 49.80 | 43.95 | 58.50 | 55.84 | 53.49 | 50.71 | 44.62 | 60.47 | 57.50 | 54.77 | 51.43 | 45.27 | |
| 55 | 90 | TC | 671 | 500 | 390 | 388 | 387 | 706 | 534 | 443 | 442 | 441 | 732 | 563 | 490 | 489 | 488 |
| | | SHC | 176 | 292 | 390 | 388 | 387 | 198 | 343 | 443 | 442 | 441 | 219 | 392 | 490 | 489 | 488 |
| | | LDB | 68.64 | 64.97 | 61.66 | 61.67 | 61.62 | 70.02 | 66.10 | 63.27 | 63.22 | 63.16 | 71.07 | 67.07 | 64.69 | 64.63 | 64.58 |
| | | LWB | 68.64 | 64.97 | 60.81 | 55.11 | 49.34 | 70.02 | 66.00 | 61.38 | 55.73 | 50.02 | 71.05 | 66.78 | 61.87 | 56.28 | 50.64 |
| | 155 | TC | 859 | 626 | 444 | 423 | 422 | 930 | 679 | 502 | 493 | 491 | 987 | 724 | 560 | 557 | 555 |
| | | SHC | 210 | 318 | 414 | 423 | 422 | 236 | 375 | 490 | 493 | 491 | 262 | 428 | 560 | 557 | 555 |
| | | LDB | 65.99 | 63.06 | 60.33 | 59.99 | 59.95 | 67.56 | 64.29 | 61.43 | 61.28 | 61.23 | 68.81 | 65.39 | 62.49 | 62.50 | 62.45 |
| | | LWB | 65.99 | 63.06 | 59.92 | 54.44 | 48.59 | 67.56 | 64.27 | 60.58 | 54.95 | 49.16 | 68.81 | 65.23 | 61.09 | 55.43 | 49.70 |
| | 220 | TC | 959 | 695 | 474 | 439 | 437 | 1058 | 767 | 540 | 516 | 514 | 1139 | 830 | 601 | 588 | 587 |
| | | SHC | 229 | 333 | 424 | 439 | 437 | 259 | 393 | 506 | 516 | 514 | 288 | 450 | 584 | 588 | 587 |
| | | LDB | 64.50 | 61.98 | 59.74 | 59.27 | 59.23 | 66.10 | 63.22 | 60.70 | 60.41 | 60.36 | 67.41 | 64.33 | 61.65 | 61.50 | 61.46 |
| | | LWB | 64.50 | 61.98 | 59.41 | 54.14 | 48.26 | 66.10 | 63.19 | 60.07 | 54.60 | 48.77 | 67.41 | 64.18 | 60.64 | 55.03 | 49.26 |
| 285 | TC | 1021 | 737 | 493 | 447 | 446 | 1139 | 823 | 565 | 529 | 527 | 1238 | 898 | 631 | 606 | 605 | |
| | SHC | 242 | 342 | 430 | 447 | 446 | 275 | 404 | 514 | 529 | 527 | 306 | 464 | 598 | 606 | 605 | |
| | LDB | 63.56 | 61.31 | 59.37 | 58.87 | 58.83 | 65.14 | 62.53 | 60.30 | 59.92 | 59.87 | 66.47 | 63.64 | 61.16 | 60.94 | 60.89 | |
| | LWB | 63.56 | 61.31 | 59.09 | 53.98 | 48.08 | 65.14 | 62.50 | 59.73 | 54.40 | 48.55 | 66.47 | 63.48 | 60.31 | 54.81 | 49.00 | |
| 350 | TC | 1062 | 765 | 508 | 453 | 451 | 1195 | 861 | 582 | 537 | 535 | 1309 | 946 | 653 | 618 | 616 | |
| | SHC | 250 | 349 | 435 | 453 | 451 | 286 | 412 | 519 | 537 | 535 | 320 | 474 | 605 | 618 | 616 | |
| | LDB | 62.92 | 60.86 | 59.07 | 58.62 | 58.58 | 64.47 | 62.06 | 60.02 | 59.60 | 59.56 | 65.79 | 63.15 | 60.86 | 60.57 | 60.52 | |
| | LWB | 62.92 | 60.85 | 58.83 | 53.88 | 47.97 | 64.47 | 62.01 | 59.51 | 54.27 | 48.41 | 65.79 | 62.99 | 60.06 | 54.66 | 48.84 | |
| 65 | 90 | TC | 374 | 241 | 235 | 234 | 234 | 391 | 269 | 268 | 267 | 266 | 407 | 297 | 296 | 296 | 296 |
| | | SHC | 128 | 232 | 235 | 234 | 234 | 149 | 269 | 268 | 267 | 266 | 169 | 297 | 296 | 296 | 295 |
| | | LDB | 72.51 | 69.11 | 68.96 | 68.93 | 68.90 | 73.23 | 69.89 | 69.89 | 69.85 | 69.82 | 73.81 | 70.78 | 70.74 | 70.70 | 70.67 |
| | | LWB | 72.51 | 68.68 | 63.36 | 57.95 | 52.50 | 73.23 | 69.00 | 63.67 | 58.29 | 52.89 | 73.75 | 69.27 | 63.95 | 58.60 | 53.23 |
| | 155 | TC | 484 | 280 | 256 | 256 | 255 | 521 | 313 | 298 | 298 | 297 | 551 | 344 | 337 | 337 | 336 |
| | | SHC | 145 | 244 | 256 | 255 | 255 | 168 | 291 | 298 | 298 | 297 | 190 | 335 | 337 | 336 | 336 |
| | | LDB | 71.12 | 68.37 | 67.96 | 67.93 | 67.91 | 71.94 | 68.95 | 68.73 | 68.69 | 68.67 | 72.63 | 69.55 | 69.46 | 69.42 | 69.40 |
| | | LWB | 71.12 | 68.14 | 63.02 | 57.57 | 52.08 | 71.94 | 68.52 | 63.28 | 57.85 | 52.40 | 72.58 | 68.82 | 63.52 | 58.12 | 52.70 |
| | 220 | TC | 545 | 301 | 265 | 264 | 263 | 596 | 340 | 312 | 311 | 310 | 640 | 375 | 356 | 355 | 354 |
| | | SHC | 155 | 250 | 265 | 264 | 263 | 180 | 298 | 312 | 311 | 310 | 204 | 347 | 356 | 355 | 354 |
| | | LDB | 70.33 | 68.01 | 67.54 | 67.51 | 67.49 | 71.16 | 68.58 | 68.21 | 68.19 | 68.16 | 71.89 | 69.09 | 68.87 | 68.84 | 68.81 |
| | | LWB | 70.33 | 67.84 | 62.87 | 57.41 | 51.90 | 71.17 | 68.21 | 63.10 | 57.66 | 52.18 | 71.84 | 68.53 | 63.32 | 57.90 | 52.45 |
| 285 | TC | 583 | 318 | 270 | 269 | 268 | 645 | 358 | 320 | 318 | 318 | 699 | 397 | 367 | 366 | 364 | |
| | SHC | 161 | 253 | 270 | 269 | 268 | 188 | 303 | 320 | 318 | 318 | 213 | 353 | 367 | 366 | 364 | |
| | LDB | 69.83 | 67.75 | 67.30 | 67.28 | 67.25 | 70.65 | 68.34 | 67.93 | 67.90 | 67.87 | 71.38 | 68.84 | 68.54 | 68.51 | 68.48 | |
| | LWB | 69.83 | 67.60 | 62.79 | 57.32 | 51.81 | 70.66 | 68.02 | 63.00 | 57.55 | 52.06 | 71.34 | 68.33 | 63.20 | 57.77 | 52.31 | |
| 350 | TC | 609 | 329 | 273 | 272 | 271 | 679 | 372 | 324 | 323 | 322 | 741 | 412 | 374 | 372 | 371 | |
| | SHC | 166 | 255 | 273 | 272 | 271 | 193 | 307 | 324 | 323 | 322 | 220 | 357 | 374 | 372 | 371 | |
| | LDB | 69.48 | 67.60 | 67.15 | 67.13 | 67.11 | 70.30 | 68.14 | 67.74 | 67.71 | 67.69 | 71.02 | 68.66 | 68.32 | 68.29 | 68.26 | |
| | LWB | 69.48 | 67.45 | 62.74 | 57.26 | 51.74 | 70.30 | 67.86 | 62.94 | 57.48 | 51.99 | 70.98 | 68.20 | 63.13 | 57.69 | 52.22 | |
| 75 | 90 | TC | 80 | 79 | 79 | 79 | 78 | 90 | 90 | 90 | 90 | 100 | 100 | 100 | 99 | 99 | 99 |
| | | SHC | 80 | 79 | 79 | 79 | 78 | 90 | 90 | 90 | 90 | 90 | 100 | 100 | 100 | 99 | 99 |
| | | LDB | 76.31 | 76.31 | 76.29 | 76.28 | 76.27 | 76.63 | 76.62 | 76.60 | 76.59 | 76.58 | 76.92 | 76.90 | 76.89 | 76.88 | 76.87 |
| | | LWB | 76.03 | 70.92 | 65.80 | 60.67 | 55.52 | 76.11 | 71.00 | 65.89 | 60.77 | 55.64 | 76.17 | 71.07 | 65.97 | 60.86 | 55.75 |
| | 155 | TC | 90 | 86 | 86 | 86 | 85 | 101 | 100 | 100 | 100 | 99 | 114 | 113 | 113 | 113 | 113 |
| | | SHC | 85 | 86 | 86 | 86 | 85 | 101 | 100 | 100 | 100 | 99 | 114 | 113 | 113 | 113 | 113 |
| | | LDB | 76.03 | 75.98 | 75.97 | 75.96 | 75.95 | 76.22 | 76.24 | 76.22 | 76.21 | 76.20 | 76.47 | 76.48 | 76.46 | 76.45 | 76.44 |
| | | LWB | 75.91 | 70.83 | 65.69 | 60.55 | 55.39 | 76.00 | 70.89 | 65.77 | 60.63 | 55.49 | 76.05 | 70.95 | 65.84 | 60.71 | 55.58 |
| | 220 | TC | 97 | 89 | 89 | 88 | 88 | 109 | 105 | 104 | 104 | 104 | 121 | 120 | 119 | 119 | 119 |
| | | SHC | 87 | 89 | 89 | 88 | 88 | 104 | 105 | 104 | 104 | 104 | 121 | 120 | 119 | 119 | 119 |
| | | LDB | 75.91 | 75.84 | 75.83 | 75.82 | 75.81 | 76.09 | 76.07 | 76.05 | 76.04 | 76.04 | 76.25 | 76.28 | 76.27 | 76.26 | 76.25 |
| | | LWB | 75.82 | 70.78 | 65.65 | 60.50 | 55.34 | 75.93 | 70.84 | 65.71 | 60.57 | 55.42 | 76.00 | 70.90 | 65.78 | 60.64 | 55.50 |
| 285 | TC | 101 | 91 | 90 | 90 | 90 | 114 | 107 | 107 | 107 | 106 | 127 | 123 | 123 | 122 | 122 | |
| | SHC | 88 | 91 | 90 | 90 | 90 | 106 | 107 | 107 | 107 | 106 | 124 | 123 | 123 | 122 | 122 | |
| | LDB | 75.86 | 75.76 | 75.75 | 75.75 | 75.74 | 76.01 | 75.97 | 75.96 | 75.95 | 75.94 | 76.18 | 76.17 | 76.16 | 76.15 | 76.14 | |
| | LWB | 75.77 | 70.76 | 65.62 | 60.47 | 55.31 | 75.87 | 70.82 | 65.68 | 60.54 | 55.39 | 75.95 | 70.87 | 65.74 | 60.61 | 55.46 | |
| 350 | TC | 104 | 92 | 91 | 91 | 91 | 119 | 109 | 109 | 108 | 108 | 132 | 125 | 125 | 125 | 124 | |
| | SHC | | | | | | | | | | | | | | | | |



WATERSIDE ECONOMIZER COOLING CAPACITY (cont)
50XJ094

| EWT (F) | GPM | BF | AIR ENTERING EVAPORATOR — CFM | | | | | | | | | | | | | | |
|---------|-------|-------|-----------------------------------|-------|-------|-------|-------|--------|-------|-------|-------|-------|--------|-------|-------|-------|-------|
| | | | 20,400 | | | | | 26,000 | | | | | 31,000 | | | | |
| | | | Air Entering Evaporator — Ewb (F) | | | | | | | | | | | | | | |
| | | | 77 | 72 | 67 | 62 | 57 | 77 | 72 | 67 | 62 | 57 | 77 | 72 | 67 | 62 | 57 |
| 0.056 | 0.056 | 0.079 | 0.300 | 0.310 | 0.056 | 0.060 | 0.103 | 0.300 | 0.310 | 0.056 | 0.071 | 0.131 | 0.300 | 0.310 | | | |
| 45 | 100 | TC | 1018 | 824 | 654 | 571 | 570 | 1085 | 880 | 720 | 660 | 658 | 1126 | 915 | 768 | 724 | 723 |
| | | SHC | 235 | 367 | 494 | 571 | 570 | 261 | 432 | 587 | 660 | 658 | 283 | 484 | 664 | 724 | 723 |
| | | LDB | 64.44 | 60.61 | 56.89 | 54.47 | 54.40 | 66.75 | 62.63 | 58.79 | 56.87 | 56.80 | 68.21 | 64.02 | 60.10 | 58.69 | 58.62 |
| | 170 | TC | 1271 | 1017 | 780 | 624 | 621 | 1400 | 1122 | 873 | 736 | 734 | 1486 | 1193 | 940 | 823 | 821 |
| | | SHC | 287 | 413 | 527 | 624 | 621 | 320 | 485 | 634 | 736 | 734 | 347 | 545 | 721 | 823 | 821 |
| | | LDB | 60.65 | 57.50 | 54.73 | 52.09 | 52.11 | 63.26 | 59.71 | 56.54 | 54.20 | 54.13 | 64.99 | 61.22 | 57.89 | 55.80 | 55.73 |
| | 240 | TC | 1404 | 1118 | 854 | 655 | 644 | 1578 | 1257 | 961 | 773 | 769 | 1698 | 1354 | 1046 | 870 | 868 |
| | | SHC | 317 | 438 | 548 | 642 | 643 | 356 | 517 | 659 | 773 | 769 | 388 | 582 | 751 | 870 | 868 |
| | | LDB | 58.53 | 55.79 | 53.41 | 51.21 | 51.09 | 61.16 | 58.00 | 55.29 | 52.88 | 52.89 | 62.97 | 59.54 | 56.64 | 54.41 | 54.34 |
| | 310 | TC | 1484 | 1179 | 898 | 677 | 656 | 1689 | 1342 | 1025 | 797 | 789 | 1835 | 1457 | 1118 | 900 | 895 |
| | | SHC | 336 | 454 | 561 | 653 | 656 | 381 | 538 | 677 | 792 | 789 | 416 | 607 | 772 | 900 | 895 |
| | | LDB | 57.19 | 54.72 | 52.60 | 50.65 | 50.52 | 59.79 | 56.89 | 54.40 | 52.18 | 52.18 | 61.61 | 58.43 | 55.76 | 53.53 | 53.53 |
| 380 | TC | 1537 | 1219 | 928 | 691 | 664 | 1766 | 1400 | 1068 | 815 | 802 | 1931 | 1530 | 1171 | 919 | 913 | |
| | SHC | 349 | 465 | 569 | 658 | 664 | 398 | 552 | 689 | 802 | 802 | 436 | 625 | 787 | 919 | 913 | |
| | LDB | 56.28 | 53.99 | 52.05 | 50.32 | 50.15 | 58.82 | 56.11 | 53.81 | 51.79 | 51.71 | 60.64 | 57.63 | 55.15 | 52.97 | 52.99 | |
| 55 | 100 | TC | 718 | 534 | 414 | 411 | 410 | 761 | 575 | 476 | 475 | 474 | 788 | 603 | 523 | 522 | 521 |
| | | SHC | 182 | 307 | 414 | 411 | 410 | 208 | 368 | 476 | 475 | 474 | 229 | 417 | 523 | 522 | 521 |
| | | LDB | 68.53 | 64.91 | 61.62 | 61.62 | 61.57 | 70.05 | 66.17 | 63.39 | 63.33 | 63.28 | 71.03 | 67.07 | 64.70 | 64.64 | 64.59 |
| | 170 | TC | 909 | 662 | 469 | 447 | 446 | 994 | 726 | 539 | 529 | 528 | 1049 | 769 | 596 | 592 | 592 |
| | | SHC | 215 | 333 | 437 | 447 | 446 | 245 | 399 | 527 | 529 | 528 | 271 | 453 | 596 | 592 | 591 |
| | | LDB | 65.97 | 63.05 | 60.34 | 60.00 | 59.96 | 67.71 | 64.43 | 61.56 | 61.44 | 61.39 | 68.86 | 65.45 | 62.57 | 62.58 | 62.52 |
| | 240 | TC | 1013 | 733 | 501 | 463 | 462 | 1129 | 819 | 578 | 554 | 553 | 1208 | 880 | 638 | 626 | 624 |
| | | SHC | 234 | 348 | 447 | 463 | 462 | 269 | 418 | 544 | 554 | 553 | 297 | 474 | 622 | 626 | 624 |
| | | LDB | 64.51 | 62.00 | 59.76 | 59.29 | 59.25 | 66.28 | 63.39 | 60.83 | 60.56 | 60.52 | 67.50 | 64.41 | 61.73 | 61.59 | 61.55 |
| | 310 | TC | 1077 | 777 | 520 | 472 | 471 | 1215 | 878 | 605 | 568 | 567 | 1312 | 952 | 670 | 645 | 643 |
| | | SHC | 246 | 357 | 453 | 472 | 471 | 285 | 430 | 553 | 568 | 567 | 315 | 489 | 636 | 645 | 643 |
| | | LDB | 63.59 | 61.34 | 59.39 | 58.89 | 58.85 | 65.34 | 62.71 | 60.43 | 60.07 | 60.02 | 66.57 | 63.73 | 61.24 | 61.03 | 60.98 |
| 380 | TC | 1120 | 806 | 536 | 478 | 476 | 1276 | 920 | 623 | 578 | 576 | 1387 | 1003 | 693 | 658 | 656 | |
| | SHC | 255 | 363 | 458 | 478 | 476 | 296 | 438 | 559 | 578 | 576 | 328 | 499 | 644 | 658 | 656 | |
| | LDB | 62.96 | 60.88 | 59.09 | 58.64 | 58.60 | 64.68 | 62.23 | 60.15 | 59.75 | 59.70 | 65.90 | 63.24 | 60.94 | 60.65 | 60.61 | |
| 65 | 100 | TC | 401 | 256 | 249 | 249 | 248 | 422 | 290 | 288 | 287 | 287 | 438 | 317 | 317 | 316 | 316 |
| | | SHC | 134 | 246 | 249 | 249 | 248 | 158 | 290 | 288 | 287 | 287 | 178 | 317 | 317 | 316 | 315 |
| | | LDB | 72.45 | 69.09 | 68.92 | 68.89 | 68.86 | 73.26 | 69.95 | 69.95 | 69.92 | 69.89 | 73.79 | 70.78 | 70.74 | 70.70 | 70.67 |
| | 170 | TC | 513 | 296 | 271 | 270 | 269 | 556 | 334 | 321 | 320 | 319 | 586 | 366 | 359 | 358 | 357 |
| | | SHC | 150 | 258 | 271 | 270 | 269 | 177 | 313 | 321 | 320 | 319 | 199 | 357 | 359 | 358 | 357 |
| | | LDB | 71.11 | 68.37 | 67.97 | 67.93 | 67.90 | 72.02 | 69.05 | 68.82 | 68.79 | 68.76 | 72.65 | 69.59 | 69.50 | 69.47 | 69.44 |
| | 240 | TC | 576 | 318 | 280 | 279 | 278 | 636 | 364 | 335 | 334 | 333 | 679 | 399 | 379 | 378 | 377 |
| | | SHC | 159 | 263 | 280 | 279 | 278 | 189 | 321 | 335 | 334 | 333 | 212 | 370 | 379 | 378 | 377 |
| | | LDB | 70.33 | 68.02 | 67.55 | 67.52 | 67.49 | 71.27 | 68.65 | 68.31 | 68.28 | 68.25 | 71.93 | 69.13 | 68.92 | 68.89 | 68.86 |
| | 310 | TC | 615 | 335 | 285 | 284 | 283 | 688 | 383 | 344 | 343 | 341 | 741 | 422 | 390 | 389 | 388 |
| | | SHC | 166 | 267 | 285 | 284 | 283 | 197 | 326 | 344 | 343 | 341 | 221 | 376 | 390 | 389 | 388 |
| | | LDB | 69.84 | 67.76 | 67.31 | 67.29 | 67.27 | 70.77 | 68.41 | 68.02 | 67.99 | 67.96 | 71.44 | 68.88 | 68.59 | 68.56 | 68.53 |
| 380 | TC | 642 | 347 | 289 | 288 | 287 | 725 | 396 | 349 | 348 | 347 | 785 | 438 | 398 | 396 | 395 | |
| | SHC | 170 | 269 | 289 | 288 | 287 | 202 | 329 | 349 | 348 | 347 | 228 | 380 | 398 | 396 | 395 | |
| | LDB | 69.50 | 67.61 | 67.16 | 67.14 | 67.12 | 70.41 | 68.25 | 67.83 | 67.80 | 67.77 | 71.08 | 68.71 | 68.37 | 68.34 | 68.31 | |
| 75 | 100 | TC | 85 | 84 | 84 | 83 | 83 | 97 | 97 | 97 | 97 | 96 | 107 | 107 | 106 | 106 | 106 |
| | | SHC | 85 | 84 | 84 | 83 | 83 | 97 | 97 | 97 | 97 | 96 | 107 | 107 | 107 | 106 | 106 |
| | | LDB | 76.29 | 76.30 | 76.28 | 76.27 | 76.26 | 76.65 | 76.63 | 76.62 | 76.61 | 76.60 | 76.92 | 76.90 | 76.89 | 76.88 | 76.87 |
| | 170 | TC | 95 | 91 | 91 | 90 | 90 | 109 | 108 | 108 | 107 | 107 | 122 | 121 | 120 | 120 | 120 |
| | | SHC | 90 | 91 | 91 | 90 | 90 | 109 | 108 | 108 | 107 | 107 | 122 | 121 | 120 | 120 | 120 |
| | | LDB | 76.03 | 75.98 | 75.97 | 75.96 | 75.95 | 76.24 | 76.26 | 76.25 | 76.24 | 76.23 | 76.49 | 76.49 | 76.48 | 76.47 | 76.46 |
| | 240 | TC | 102 | 94 | 94 | 93 | 93 | 117 | 113 | 112 | 112 | 112 | 129 | 127 | 127 | 127 | 126 |
| | | SHC | 92 | 94 | 94 | 93 | 93 | 112 | 113 | 112 | 112 | 112 | 129 | 127 | 127 | 127 | 126 |
| | | LDB | 75.92 | 75.84 | 75.83 | 75.82 | 75.82 | 76.12 | 76.10 | 76.08 | 76.07 | 76.07 | 76.27 | 76.30 | 76.29 | 76.28 | 76.27 |
| | 310 | TC | 107 | 96 | 95 | 95 | 95 | 123 | 115 | 115 | 115 | 114 | 135 | 131 | 131 | 130 | 130 |
| | | SHC | 92 | 96 | 95 | 95 | 95 | 114 | 115 | 115 | 115 | 114 | 132 | 131 | 131 | 130 | 130 |
| | | LDB | 75.86 | 75.77 | 75.76 | 75.75 | 75.74 | 76.04 | 76.00 | 75.99 | 75.98 | 75.97 | 76.19 | 76.19 | 76.18 | 76.17 | 76.16 |
| 380 | TC | 110 | 97 | 97 | 96 | 96 | 127 | 117 | 117 | 116 | 116 | 140 | 134 | 133 | 133 | 132 | |
| | SHC | 93 | 97 | 97 | 96 | 96 | 115 | 117 | 117 | 116 | 116 | 134 | 134 | 133 | 133 | 132 | |
| | LDB | 75.82 | 75.72 | 75.71 | 75.70 | 75.69 | 75.99 | 75.94 | 75.93 | 75.92 | 75.91 | 76.12 | 76.12 | 76.11 | 76.10 | 76.09 | |

See Legend on page 59.

Performance data (cont)



WATERSIDE ECONOMIZER COOLING CAPACITY (cont) 50XJ104

| EWT (F) | GPM | BF | AIR ENTERING EVAPORATOR — CFM | | | | | | | | | | | | | | |
|---------|-------|-------|-----------------------------------|-------|-------|-------|-------|--------|-------|-------|-------|-------|--------|-------|-------|-------|-------|
| | | | 22,300 | | | | | 28,000 | | | | | 33,500 | | | | |
| | | | Air Entering Evaporator — Ewb (F) | | | | | | | | | | | | | | |
| | | | 77 | 72 | 67 | 62 | 57 | 77 | 72 | 67 | 62 | 57 | 77 | 72 | 67 | 62 | 57 |
| 0.056 | 0.056 | 0.078 | 0.300 | 0.310 | 0.056 | 0.059 | 0.100 | 0.300 | 0.310 | 0.056 | 0.069 | 0.127 | 0.300 | 0.310 | | | |
| 45 | 120 | TC | 1182 | 954 | 751 | 641 | 639 | 1263 | 1023 | 821 | 738 | 736 | 1318 | 1070 | 881 | 816 | 815 |
| | | SHC | 270 | 414 | 549 | 641 | 639 | 298 | 481 | 648 | 738 | 736 | 323 | 541 | 736 | 816 | 815 |
| | | LDB | 63.53 | 59.84 | 56.34 | 53.79 | 53.73 | 65.80 | 61.81 | 58.11 | 55.96 | 55.89 | 67.39 | 63.25 | 59.46 | 57.77 | 57.71 |
| | | LWB | 63.53 | 59.84 | 56.34 | 51.86 | 45.70 | 65.80 | 61.81 | 57.83 | 52.77 | 46.72 | 67.39 | 63.19 | 58.83 | 53.52 | 47.56 |
| | 190 | TC | 1417 | 1133 | 867 | 689 | 684 | 1556 | 1246 | 966 | 804 | 802 | 1658 | 1330 | 1044 | 903 | 901 |
| | | SHC | 319 | 456 | 580 | 688 | 684 | 354 | 531 | 691 | 804 | 802 | 384 | 598 | 788 | 903 | 901 |
| | | LDB | 60.27 | 57.18 | 54.49 | 51.88 | 51.89 | 62.74 | 59.27 | 56.18 | 53.81 | 53.74 | 64.54 | 60.83 | 57.57 | 55.41 | 55.34 |
| | | LWB | 60.27 | 57.18 | 54.49 | 51.01 | 44.82 | 62.74 | 59.27 | 56.05 | 51.86 | 45.70 | 64.54 | 60.81 | 57.20 | 52.53 | 46.45 |
| | 260 | TC | 1546 | 1231 | 940 | 719 | 706 | 1728 | 1377 | 1054 | 840 | 835 | 1865 | 1486 | 1147 | 948 | 946 |
| | | SHC | 349 | 481 | 601 | 703 | 706 | 390 | 562 | 717 | 840 | 835 | 425 | 635 | 817 | 948 | 946 |
| | | LDB | 58.35 | 55.64 | 53.30 | 51.13 | 51.00 | 60.84 | 57.72 | 55.01 | 52.64 | 52.66 | 62.70 | 59.30 | 56.44 | 54.19 | 54.12 |
| | | LWB | 58.35 | 55.64 | 53.30 | 50.49 | 44.38 | 60.84 | 57.72 | 54.94 | 51.36 | 45.18 | 62.70 | 59.31 | 56.14 | 52.01 | 45.87 |
| 330 | TC | 1627 | 1293 | 985 | 742 | 718 | 1839 | 1461 | 1116 | 865 | 855 | 2003 | 1591 | 1220 | 978 | 973 | |
| | SHC | 368 | 498 | 614 | 714 | 718 | 415 | 583 | 733 | 857 | 855 | 453 | 660 | 839 | 978 | 973 | |
| | LDB | 57.12 | 54.65 | 52.55 | 50.61 | 50.47 | 59.56 | 56.69 | 54.23 | 52.04 | 52.02 | 61.43 | 58.26 | 55.62 | 53.37 | 53.38 | |
| | LWB | 57.12 | 54.65 | 52.54 | 50.08 | 44.13 | 59.56 | 56.69 | 54.14 | 51.01 | 44.87 | 61.43 | 58.28 | 55.37 | 51.66 | 45.52 | |
| 400 | TC | 1682 | 1334 | 1015 | 757 | 727 | 1917 | 1520 | 1159 | 883 | 868 | 2101 | 1666 | 1274 | 998 | 991 | |
| | SHC | 382 | 509 | 623 | 720 | 727 | 432 | 598 | 745 | 867 | 868 | 475 | 677 | 853 | 997 | 991 | |
| | LDB | 56.25 | 53.96 | 52.03 | 50.30 | 50.13 | 58.64 | 55.96 | 53.67 | 51.67 | 51.59 | 60.50 | 57.52 | 55.04 | 52.85 | 52.88 | |
| | LWB | 56.25 | 53.96 | 52.03 | 49.81 | 43.96 | 58.64 | 55.96 | 53.58 | 50.76 | 44.66 | 60.50 | 57.52 | 54.79 | 51.44 | 45.28 | |
| 55 | 120 | TC | 836 | 616 | 468 | 461 | 460 | 888 | 664 | 534 | 530 | 924 | 700 | 590 | 588 | 587 | |
| | | SHC | 207 | 342 | 459 | 461 | 460 | 234 | 406 | 534 | 531 | 530 | 259 | 461 | 590 | 588 | 587 |
| | | LDB | 67.92 | 64.48 | 61.27 | 61.15 | 61.10 | 69.43 | 65.68 | 62.70 | 62.69 | 62.64 | 70.48 | 66.63 | 64.04 | 63.99 | 63.93 |
| | | LWB | 67.92 | 64.48 | 60.56 | 54.91 | 49.11 | 69.43 | 65.59 | 61.17 | 55.52 | 49.79 | 70.47 | 66.37 | 61.64 | 56.02 | 50.36 |
| | 190 | TC | 1014 | 738 | 520 | 493 | 491 | 1105 | 807 | 591 | 578 | 577 | 1171 | 858 | 654 | 650 | 649 |
| | | SHC | 239 | 367 | 480 | 493 | 491 | 270 | 435 | 573 | 578 | 577 | 299 | 496 | 654 | 650 | 649 |
| | | LDB | 65.72 | 62.86 | 60.22 | 59.85 | 59.81 | 67.37 | 64.16 | 61.34 | 61.17 | 61.11 | 68.57 | 65.19 | 62.28 | 62.30 | 62.25 |
| | | LWB | 65.72 | 62.86 | 59.82 | 54.38 | 48.53 | 67.37 | 64.12 | 60.52 | 54.91 | 49.11 | 68.57 | 65.04 | 61.02 | 55.36 | 49.61 |
| | 260 | TC | 1116 | 808 | 550 | 508 | 506 | 1237 | 897 | 631 | 602 | 600 | 1327 | 966 | 697 | 682 | 680 |
| | | SHC | 258 | 381 | 490 | 508 | 506 | 293 | 453 | 589 | 602 | 600 | 325 | 516 | 676 | 682 | 680 |
| | | LDB | 64.40 | 61.91 | 59.70 | 59.23 | 59.19 | 66.07 | 63.21 | 60.71 | 60.41 | 60.36 | 67.32 | 64.26 | 61.61 | 61.44 | 61.40 |
| | | LWB | 64.40 | 61.91 | 59.37 | 54.13 | 48.24 | 66.07 | 63.17 | 60.07 | 54.60 | 48.77 | 67.32 | 64.11 | 60.61 | 55.01 | 49.23 |
| 330 | TC | 1181 | 852 | 570 | 517 | 515 | 1323 | 956 | 658 | 615 | 614 | 1433 | 1039 | 730 | 701 | 699 | |
| | SHC | 270 | 391 | 496 | 517 | 515 | 309 | 465 | 598 | 615 | 614 | 343 | 530 | 690 | 701 | 699 | |
| | LDB | 63.54 | 61.30 | 59.37 | 58.86 | 58.82 | 65.19 | 62.58 | 60.33 | 59.96 | 59.91 | 66.45 | 63.63 | 61.15 | 60.93 | 60.88 | |
| | LWB | 63.54 | 61.30 | 59.08 | 53.98 | 48.08 | 65.19 | 62.53 | 59.76 | 54.42 | 48.57 | 66.45 | 63.47 | 60.29 | 54.80 | 49.00 | |
| 400 | TC | 1225 | 882 | 587 | 523 | 521 | 1385 | 998 | 676 | 625 | 623 | 1509 | 1091 | 753 | 713 | 711 | |
| | SHC | 279 | 398 | 501 | 523 | 521 | 321 | 474 | 604 | 625 | 623 | 357 | 541 | 698 | 713 | 711 | |
| | LDB | 62.94 | 60.87 | 59.08 | 58.62 | 58.59 | 64.56 | 62.13 | 60.08 | 59.66 | 59.62 | 65.82 | 63.17 | 60.87 | 60.58 | 60.53 | |
| | LWB | 62.94 | 60.87 | 58.83 | 53.88 | 47.97 | 64.56 | 62.08 | 59.54 | 54.30 | 48.43 | 65.82 | 63.01 | 60.07 | 54.66 | 48.84 | |
| 65 | 120 | TC | 467 | 290 | 279 | 278 | 278 | 494 | 326 | 322 | 321 | 320 | 512 | 359 | 357 | 356 | 355 |
| | | SHC | 150 | 272 | 279 | 278 | 278 | 176 | 323 | 322 | 321 | 320 | 198 | 359 | 357 | 356 | 355 |
| | | LDB | 72.14 | 68.89 | 68.65 | 68.62 | 68.59 | 72.92 | 69.59 | 69.57 | 69.54 | 69.51 | 73.51 | 70.36 | 70.35 | 70.31 | 70.28 |
| | | LWB | 72.14 | 68.53 | 63.26 | 57.83 | 52.37 | 72.92 | 68.90 | 63.56 | 58.17 | 52.75 | 73.46 | 69.14 | 63.82 | 58.45 | 53.07 |
| | 190 | TC | 572 | 328 | 298 | 297 | 296 | 619 | 369 | 350 | 349 | 348 | 655 | 404 | 394 | 393 | 392 |
| | | SHC | 166 | 283 | 298 | 297 | 296 | 194 | 340 | 350 | 349 | 348 | 218 | 390 | 394 | 393 | 392 |
| | | LDB | 70.98 | 68.30 | 67.88 | 67.85 | 67.82 | 71.84 | 68.91 | 68.67 | 68.63 | 68.60 | 72.50 | 69.47 | 69.35 | 69.31 | 69.28 |
| | | LWB | 70.98 | 68.08 | 62.99 | 57.54 | 52.05 | 71.84 | 68.48 | 63.26 | 57.83 | 52.37 | 72.45 | 68.77 | 63.48 | 58.08 | 52.65 |
| | 260 | TC | 634 | 350 | 307 | 306 | 305 | 697 | 398 | 364 | 363 | 362 | 746 | 436 | 413 | 411 | 410 |
| | | SHC | 175 | 288 | 307 | 306 | 305 | 205 | 348 | 364 | 363 | 362 | 231 | 402 | 413 | 411 | 410 |
| | | LDB | 70.28 | 67.99 | 67.51 | 67.49 | 67.46 | 71.15 | 68.58 | 68.22 | 68.19 | 68.16 | 71.84 | 69.06 | 68.84 | 68.80 | 68.78 |
| | | LWB | 70.28 | 67.82 | 62.87 | 57.40 | 51.89 | 71.15 | 68.20 | 63.10 | 57.66 | 52.19 | 71.79 | 68.51 | 63.31 | 57.89 | 52.44 |
| 330 | TC | 674 | 368 | 312 | 311 | 310 | 750 | 416 | 372 | 371 | 370 | 808 | 460 | 424 | 422 | 421 | |
| | SHC | 181 | 292 | 312 | 311 | 310 | 213 | 352 | 372 | 371 | 370 | 240 | 408 | 424 | 422 | 421 | |
| | LDB | 69.82 | 67.75 | 67.30 | 67.27 | 67.25 | 70.69 | 68.36 | 67.95 | 67.92 | 67.90 | 71.38 | 68.83 | 68.53 | 68.50 | 68.47 | |
| | LWB | 69.82 | 67.60 | 62.79 | 57.32 | 51.80 | 70.69 | 68.03 | 63.01 | 57.56 | 52.07 | 71.33 | 68.33 | 63.20 | 57.77 | 52.31 | |
| 400 | TC | 703 | 380 | 316 | 315 | 314 | 787 | 429 | 378 | 376 | 375 | 854 | 476 | 431 | 430 | 429 | |
| | SHC | 186 | 294 | 316 | 315 | 314 | 219 | 355 | 378 | 376 | 375 | 247 | 412 | 431 | 430 | 429 | |
| | LDB | 69.49 | 67.61 | 67.16 | 67.13 | 67.11 | 70.35 | 68.21 | 67.78 | 67.75 | 67.72 | 71.04 | 68.67 | 68.33 | 68.30 | 68.27 | |
| | LWB | 69.49 | 67.45 | 62.74 | 57.26 | 51.74 | 70.35 | 67.91 | 62.95 | 57.49 | 52.00 | 70.99 | 68.20 | 63.13 | 57.69 | 52.22 | |
| 75 | 120 | TC | 95 | 94 | 94 | 93 | 93 | 109 | 109 | 108 | 108 | 108 | 120 | 120 | 120 | 120 | 119 |
| | | SHC | 95 | 94 | 94 | 93 | 93 | 109 | 108 | 108 | 108 | 108 | 120 | 120 | 120 | 120 | 119 |
| | | LDB | 76.19 | 76.21 | 76.19 | 76.18 | 76.17 | 76.53 | 76.51 | 76.50 | 76.49 | 76.48 | 76.79 | 76.77 | 76.76 | 76.75 | 76.74 |
| | | LWB | 76.00 | 70.89 | 65.76 | 60.63 | 55.48 | 76.08 | 70.97 | 65.86 | 60.73 | 55.60 | 76.14 | 71.04 | 65.93 | 60.82 | 55.70 |
| | 190 | TC | 105 | 100 | 100 | 99 | 99 | 119 | 118 | 117 | 117 | 117 | 134 | 133 | 132 | 132 | 131 |
| | | SHC | 99 | 100 | 100 | 99 | 99 | 119 | 118 | 117 | 117 | 117 | 134 | 133 | 132 | 132 | 131 |
| | | LDB | 76.00 | 75.95 | 75.94 | 75.93 | 75.92 | 76.21 | 76.21 | 76.20 | 76.19 | 76.18 | 76.43 | 76.44 | 76.43 | 76.42 | 76.41 |
| | | LWB | 75.89 | 70.82 | 65.68 | 60.54 | 55.38 | 75.99 | 70.88 | 65.76 | 60.63 | 55.48 | 76.04 | 70.94 | 65.83 | 60.70 | 55.56 |
| | 260 | TC | 112 | 103 | 103 | 102 | 102 | 127 | 122 | 122 | 121 | 121 | 141 | 139 | 138 | 138 | 137 |
| | | SHC | 100 | 103 | 103 | 102 | 102 | 121 | 122 | 122 | 121 | 121 | 141 | 139 | 138 | 138 | 137 |
| | | LDB | 75.91 | 75.83 | 75.82 | 75.81 | 75.81 | 76.10 | 76.07 | 76.06 | 76.05 | 76.04 | 76.25 | 76.27 | 76.26 | 76.25 | 76.24 |
| | | LWB | 75.82 | 70.78 | 65.65 | 60.50 | 55.34 | 75.93 | 70.84 | 65.71 | 60.57 | 55.42 | 75.99 | 70.89 | 65.77 | 60.64 | 55.50 |
| 330 | TC | 117 | 105 | 104 | 104 | 104 | 133 | 125 | 124 | 124 | 124 | 146 | 142 | 142 | 141 | 141 | |
| | SHC | 101 | 105 | 104 | 104 | 104 | 123 | 125 | 124 | 124 | 124 | 143 | 142 | 142 | 141 | 141 | |
| | LDB | 75.86 | 75.76 | 75.75 | 75.74 | 75.74 | 76.03 | 75.98 | 75.97 | 75.96 | 75.95 | 76.18 | 76.17 | 76.16 | 76.15 | 76.14 | |
| | LWB | 75.77 | 70.76 | 65.62 | 60.47 | 55.31 | 75.87 | 70.82 | 65.69 | 60.54 | 55.39 | 75.95 | 70.87 | 65.74 | 60.60 | 55.46 | |
| 400 | TC | 120 | 106 | 106 | 105 | 105 | 138 | 127 | 126 | 126 | 125 | 152 | 145 | 144 | 144 | | |



HOT WATER COIL RATINGS

| UNIT | SIZE | CFM | GPM | CAPACITY MBtuh | WATER PD (in. wg) | AIR PD (in. wg) | MIN GPM | MAX GPM |
|------|------|--------|-------|----------------|-------------------|-----------------|---------|---------|
| 50XJ | 064 | 15,000 | 112.7 | 1090.9 | 0.62 | 0.13 | 60 | 200 |
| | | 17,000 | 120.9 | 1170.7 | 0.71 | 0.15 | 60 | 200 |
| | | 19,000 | 128.5 | 1244.1 | 0.79 | 0.19 | 60 | 200 |
| | | 21,000 | 135.6 | 1312.1 | 0.87 | 0.23 | 60 | 200 |
| | | 23,000 | 142.1 | 1375.5 | 0.95 | 0.27 | 60 | 200 |
| | 074 | 15,000 | 112.7 | 1090.9 | 0.62 | 0.13 | 60 | 200 |
| | | 17,000 | 120.9 | 1170.7 | 0.71 | 0.15 | 60 | 200 |
| | | 19,000 | 128.5 | 1244.1 | 0.79 | 0.19 | 60 | 200 |
| | | 21,000 | 135.6 | 1312.1 | 0.87 | 0.23 | 60 | 200 |
| | | 23,000 | 142.1 | 1375.5 | 0.95 | 0.27 | 60 | 200 |
| | 084 | 19,000 | 146.8 | 1420.6 | 1.01 | 0.13 | 75 | 250 |
| | | 21,000 | 155.4 | 1504.1 | 1.12 | 0.15 | 75 | 250 |
| | | 23,000 | 163.5 | 1582.4 | 1.23 | 0.17 | 75 | 250 |
| | | 25,000 | 171.1 | 1655.9 | 1.34 | 0.20 | 75 | 250 |
| | | 27,000 | 178.2 | 1725.3 | 1.44 | 0.23 | 75 | 250 |
| | | 29,000 | 185.0 | 1791.0 | 1.54 | 0.27 | 75 | 250 |
| | 094 | 20,000 | 153.8 | 1488.5 | 0.82 | 0.12 | 85 | 350 |
| | | 22,000 | 162.4 | 1571.8 | 0.91 | 0.15 | 85 | 350 |
| | | 24,000 | 170.5 | 1650.1 | 1.00 | 0.17 | 85 | 350 |
| | | 26,000 | 178.1 | 1723.8 | 1.08 | 0.19 | 85 | 350 |
| | | 28,000 | 185.3 | 1793.6 | 1.16 | 0.22 | 85 | 350 |
| | | 30,000 | 192.1 | 1859.8 | 1.24 | 0.26 | 85 | 350 |
| | | 32,000 | 198.6 | 1922.7 | 1.31 | 0.31 | 85 | 350 |
| | 104 | 22,000 | 171.0 | 1655.0 | 1.00 | 0.13 | 100 | 350 |
| | | 24,000 | 179.7 | 1739.8 | 1.09 | 0.15 | 100 | 350 |
| | | 26,000 | 188.0 | 1819.9 | 1.18 | 0.17 | 100 | 350 |
| | | 28,000 | 195.9 | 1895.7 | 1.28 | 0.19 | 100 | 350 |
| | | 30,000 | 203.3 | 1967.8 | 1.37 | 0.22 | 100 | 350 |
| | | 32,000 | 210.4 | 2036.4 | 1.45 | 0.24 | 100 | 350 |
| | | 34,000 | 217.2 | 2102.0 | 1.54 | 0.27 | 100 | 350 |

LEGEND

MBtuh — Btuh in Thousands
 PD — Pressure Drop

STEAM RATINGS

| UNIT | SIZE | CFM | CAPACITY MBtuh | CONDENSATE (lb/hr) | AIR PD (in. wg) |
|------|------|--------|----------------|--------------------|-----------------|
| 50XJ | 064 | 15,000 | 757.9 | 785.39 | 0.09 |
| | | 17,000 | 797.0 | 825.91 | 0.11 |
| | | 19,000 | 831.8 | 861.97 | 0.12 |
| | | 21,000 | 863.3 | 894.61 | 0.14 |
| | | 23,000 | 892.1 | 924.46 | 0.16 |
| | 074 | 15,000 | 757.9 | 785.39 | 0.09 |
| | | 17,000 | 79.07 | 825.91 | 0.11 |
| | | 19,000 | 831.8 | 861.97 | 0.12 |
| | | 21,000 | 863.3 | 894.61 | 0.14 |
| | | 23,000 | 892.1 | 924.46 | 0.16 |
| | 084 | 19,000 | 964.6 | 999.59 | 0.09 |
| | | 21,000 | 1004.5 | 1040.93 | 0.10 |
| | | 23,000 | 1040.9 | 1078.65 | 0.12 |
| | | 25,000 | 1074.3 | 1113.26 | 0.13 |
| | | 27,000 | 1105.3 | 1145.39 | 0.14 |
| | | 29,000 | 1134.1 | 1175.23 | 0.16 |
| | 094 | 20,000 | 1011.5 | 1048.19 | 0.09 |
| | | 22,000 | 1051.2 | 1089.33 | 0.10 |
| | | 24,000 | 1087.6 | 1127.05 | 0.11 |
| | | 26,000 | 1121.2 | 1161.87 | 0.13 |
| | | 28,000 | 1152.4 | 1194.20 | 0.14 |
| | | 30,000 | 1181.5 | 1224.35 | 0.15 |
| | | 32,000 | 1208.7 | 1252.54 | 0.16 |
| | 104 | 22,000 | 1108.4 | 1148.60 | 0.09 |
| | | 24,000 | 1148.0 | 1189.64 | 0.10 |
| | | 26,000 | 1184.6 | 1227.56 | 0.11 |
| | | 28,000 | 1218.5 | 1262.69 | 0.12 |
| | | 30,000 | 1250.2 | 1295.54 | 0.14 |
| | | 32,000 | 1279.9 | 1326.32 | 0.15 |
| | | 34,000 | 1307.9 | 1355.34 | 0.16 |

LEGEND

MBtuh — Btuh in Thousands
 PD — Pressure Drop

Performance data (cont)



EVAPORATOR FAN PERFORMANCE

50XJ064

| AIRFLOW CFM | AVAILABLE EXTERNAL STATIC PRESSURE (in. wg) | | | | | | | | | | | | | | |
|----------------|---|-------|--------|-----|-------|--------|-----|-------|--------|-----|-------|--------|-----|-------|--------|
| | 0.5 | | | 1.0 | | | 1.5 | | | 2.0 | | | 2.5 | | |
| | Rpm | Bhp | Watts | Rpm | Bhp | Watts | Rpm | Bhp | Watts | Rpm | Bhp | Watts | Rpm | Bhp | Watts |
| 14,000 | 429 | 5.08 | 4,284 | 492 | 6.44 | 5,433 | 550 | 7.90 | 6,581 | 605 | 9.44 | 7,870 | 659 | 11.09 | 9,089 |
| 16,000 | 468 | 7.02 | 5,920 | 525 | 8.55 | 7,123 | 578 | 10.13 | 8,308 | 629 | 11.81 | 9,682 | 677 | 13.57 | 11,122 |
| 18,000 | 508 | 9.42 | 7,856 | 561 | 11.12 | 9,114 | 610 | 12.86 | 10,541 | 656 | 14.66 | 12,022 | 701 | 16.55 | 13,567 |
| 20,000 | 549 | 12.35 | 10,122 | 598 | 14.21 | 11,649 | 644 | 16.11 | 13,205 | 687 | 18.06 | 14,807 | 728 | 20.07 | 16,331 |
| 22,000 | 590 | 15.82 | 12,972 | 636 | 17.87 | 14,652 | 679 | 19.94 | 16,344 | 719 | 22.04 | 17,931 | 758 | 24.20 | 19,688 |

| AIRFLOW CFM | AVAILABLE EXTERNAL STATIC PRESSURE (in. wg) | | | | | | | | | | | | | | |
|----------------|---|-------|--------|-----|-------|--------|-----|-------|--------|-----|-------|--------|-----|-------|--------|
| | 3.0 | | | 3.5 | | | 4.0 | | | 4.5 | | | 5.0 | | |
| | Rpm | Bhp | Watts | Rpm | Bhp | Watts | Rpm | Bhp | Watts | Rpm | Bhp | Watts | Rpm | Bhp | Watts |
| 14,000 | 711 | 12.82 | 10,508 | 761 | 14.63 | 11,989 | 810 | 16.51 | 13,531 | 857 | 18.45 | 15,127 | 903 | 20.45 | 16,640 |
| 16,000 | 725 | 15.41 | 12,634 | 771 | 17.33 | 14,206 | 816 | 19.32 | 15,842 | 860 | 21.39 | 17,398 | 904 | 23.51 | 19,129 |
| 18,000 | 745 | 18.51 | 15,172 | 787 | 20.54 | 16,709 | 829 | 22.65 | 18,422 | 870 | 24.82 | 20,192 | 910 | 27.06 | 21,847 |
| 20,000 | 769 | 22.16 | 18,026 | 809 | 24.31 | 19,777 | 847 | 26.53 | 21,419 | 885 | 28.81 | 23,263 | 923 | 31.16 | 24,998 |
| 22,000 | 796 | 26.42 | 21,327 | 833 | 28.69 | 23,165 | 869 | 31.03 | 24,888 | — | — | — | — | — | — |

50XJ074

| AIRFLOW CFM | AVAILABLE EXTERNAL STATIC PRESSURE (in. wg) | | | | | | | | | | | | | | |
|----------------|---|-------|--------|-----|-------|--------|-----|-------|--------|-----|-------|--------|-----|-------|--------|
| | 0.5 | | | 1.0 | | | 1.5 | | | 2.0 | | | 2.5 | | |
| | Rpm | Bhp | Watts | Rpm | Bhp | Watts | Rpm | Bhp | Watts | Rpm | Bhp | Watts | Rpm | Bhp | Watts |
| 16,000 | 468 | 7.02 | 5,920 | 525 | 8.55 | 7,123 | 578 | 10.13 | 8,308 | 629 | 11.81 | 9,682 | 677 | 13.57 | 11,122 |
| 18,000 | 508 | 9.42 | 7,856 | 561 | 11.12 | 9,114 | 610 | 12.86 | 10,541 | 656 | 14.66 | 12,022 | 701 | 16.55 | 13,567 |
| 20,000 | 549 | 12.35 | 10,122 | 598 | 14.21 | 11,649 | 644 | 16.11 | 13,205 | 687 | 18.06 | 14,807 | 728 | 20.07 | 16,331 |
| 22,000 | 590 | 15.82 | 12,972 | 636 | 17.87 | 14,652 | 679 | 19.94 | 16,344 | 719 | 22.04 | 17,931 | 758 | 24.20 | 19,688 |
| 24,000 | 631 | 19.92 | 16,329 | 674 | 22.15 | 18,021 | 715 | 24.40 | 19,846 | 753 | 26.66 | 21,525 | 790 | 28.97 | 23,388 |

| AIRFLOW CFM | AVAILABLE EXTERNAL STATIC PRESSURE (in. wg) | | | | | | | | | | | | | | |
|----------------|---|-------|--------|-----|-------|--------|-----|-------|--------|-----|-------|--------|-----|-------|--------|
| | 3.0 | | | 3.5 | | | 4.0 | | | 4.5 | | | 5.0 | | |
| | Rpm | Bhp | Watts | Rpm | Bhp | Watts | Rpm | Bhp | Watts | Rpm | Bhp | Watts | Rpm | Bhp | Watts |
| 16,000 | 725 | 15.41 | 12,634 | 771 | 17.33 | 14,206 | 816 | 19.32 | 15,842 | 860 | 21.39 | 17,398 | 904 | 23.51 | 19,129 |
| 18,000 | 745 | 18.51 | 15,172 | 787 | 20.54 | 16,709 | 829 | 22.65 | 18,422 | 870 | 24.82 | 20,192 | 910 | 27.06 | 21,847 |
| 20,000 | 769 | 22.16 | 18,026 | 809 | 24.31 | 19,777 | 847 | 26.53 | 21,419 | 885 | 28.81 | 23,263 | 923 | 31.16 | 24,998 |
| 22,000 | 796 | 26.42 | 21,327 | 833 | 28.69 | 23,165 | 869 | 31.03 | 24,888 | — | — | — | — | — | — |
| 24,000 | 826 | 31.32 | 25,125 | — | — | — | — | — | — | — | — | — | — | — | — |

50XJ084

| AIRFLOW CFM | AVAILABLE EXTERNAL STATIC PRESSURE (in. wg) | | | | | | | | | | | | | | |
|----------------|---|-------|--------|-----|-------|--------|-----|-------|--------|-----|-------|--------|-----|-------|--------|
| | 0.5 | | | 1.0 | | | 1.5 | | | 2.0 | | | 2.5 | | |
| | Rpm | Bhp | Watts | Rpm | Bhp | Watts | Rpm | Bhp | Watts | Rpm | Bhp | Watts | Rpm | Bhp | Watts |
| 18,000 | 483 | 8.68 | 7,231 | 538 | 10.35 | 8,487 | 588 | 12.07 | 9,893 | 636 | 13.84 | 11,349 | 681 | 15.69 | 12,862 |
| 20,000 | 521 | 11.36 | 9,316 | 573 | 13.22 | 10,840 | 620 | 15.10 | 12,381 | 664 | 17.03 | 13,960 | 707 | 19.01 | 15,583 |
| 22,000 | 559 | 14.57 | 11,946 | 608 | 16.63 | 13,630 | 653 | 18.68 | 15,312 | 695 | 20.76 | 16,889 | 735 | 22.88 | 18,615 |
| 24,000 | 598 | 18.35 | 15,042 | 644 | 20.60 | 16,757 | 687 | 22.83 | 18,574 | 727 | 25.08 | 20,251 | 765 | 27.36 | 22,090 |
| 26,000 | 637 | 22.74 | 18,503 | 681 | 25.20 | 20,342 | 722 | 27.62 | 22,297 | 760 | 30.04 | 24,094 | 796 | 32.48 | 26,053 |
| 28,000 | 676 | 27.80 | 22,442 | 718 | 30.45 | 24,427 | — | — | — | — | — | — | — | — | — |

| AIRFLOW CFM | AVAILABLE EXTERNAL STATIC PRESSURE (in. wg) | | | | | | | | | | | | | | |
|----------------|---|-------|--------|-----|-------|--------|-----|-------|--------|-----|-------|--------|-----|-------|--------|
| | 3.0 | | | 3.5 | | | 4.0 | | | 4.5 | | | 5.0 | | |
| | Rpm | Bhp | Watts | Rpm | Bhp | Watts | Rpm | Bhp | Watts | Rpm | Bhp | Watts | Rpm | Bhp | Watts |
| 18,000 | 725 | 17.62 | 14,442 | 768 | 19.61 | 16,079 | 811 | 21.69 | 17,644 | 852 | 23.83 | 19,387 | 892 | 26.04 | 21,027 |
| 20,000 | 748 | 21.05 | 17,122 | 788 | 23.16 | 18,841 | 827 | 25.35 | 20,466 | 865 | 27.60 | 22,285 | 903 | 29.92 | 24,153 |
| 22,000 | 773 | 25.06 | 20,235 | 811 | 27.29 | 22,037 | 848 | 29.60 | 23,899 | 884 | 31.96 | 25,640 | — | — | — |
| 24,000 | 801 | 29.68 | 23,964 | 837 | 32.05 | 25,709 | — | — | — | — | — | — | — | — | — |
| 26,000 | — | — | — | — | — | — | — | — | — | — | — | — | — | — | — |
| 28,000 | — | — | — | — | — | — | — | — | — | — | — | — | — | — | — |

LEGEND

Bhp — Brake Horsepower

See page 67 for General Fan Performance notes.



EVAPORATOR FAN PERFORMANCE

50XJ094

| AIRFLOW CFM | AVAILABLE EXTERNAL STATIC PRESSURE (in. wg) | | | | | | | | | | | | | | |
|----------------|---|-------|--------|-----|-------|--------|-----|-------|--------|-----|-------|--------|-----|-------|--------|
| | 0.5 | | | 1.0 | | | 1.5 | | | 2.0 | | | 2.5 | | |
| | Rpm | Bhp | Watts | Rpm | Bhp | Watts | Rpm | Bhp | Watts | Rpm | Bhp | Watts | Rpm | Bhp | Watts |
| 20,000 | 405 | 8.06 | 6,722 | 461 | 9.90 | 8,249 | 513 | 11.84 | 9,705 | 563 | 13.93 | 11,422 | 613 | 16.19 | 13,269 |
| 22,000 | 431 | 10.22 | 8,380 | 483 | 12.21 | 10,007 | 532 | 14.28 | 11,705 | 579 | 16.47 | 13,503 | 625 | 18.80 | 15,415 |
| 24,000 | 458 | 12.74 | 10,445 | 507 | 14.89 | 12,209 | 553 | 17.10 | 14,022 | 597 | 19.41 | 15,913 | 639 | 21.84 | 17,768 |
| 26,000 | 485 | 15.66 | 12,839 | 531 | 17.98 | 14,742 | 575 | 20.34 | 16,549 | 616 | 22.78 | 18,533 | 656 | 25.32 | 20,442 |
| 28,000 | 512 | 19.00 | 15,578 | 556 | 21.51 | 17,497 | 597 | 24.03 | 19,548 | 637 | 26.60 | 21,476 | 675 | 29.26 | 23,624 |
| 30,000 | 539 | 22.81 | 18,553 | 581 | 25.49 | 20,581 | 621 | 28.18 | 22,748 | 658 | 30.90 | 24,785 | 695 | 33.69 | 27,026 |

| AIRFLOW CFM | AVAILABLE EXTERNAL STATIC PRESSURE (in. wg) | | | | | | | | | | | | | | |
|----------------|---|-------|--------|-----|-------|--------|-----|-------|--------|-----|-------|--------|-----|-------|--------|
| | 3.0 | | | 3.5 | | | 4.0 | | | 4.5 | | | 5.0 | | |
| | Rpm | Bhp | Watts | Rpm | Bhp | Watts | Rpm | Bhp | Watts | Rpm | Bhp | Watts | Rpm | Bhp | Watts |
| 20,000 | 661 | 18.60 | 15,251 | 707 | 21.17 | 17,221 | 753 | 23.89 | 19,431 | 797 | 26.74 | 21,585 | 840 | 29.71 | 23,987 |
| 22,000 | 669 | 21.29 | 17,316 | 713 | 23.91 | 19,449 | 756 | 26.68 | 21,538 | 798 | 29.58 | 23,883 | 839 | 32.62 | 26,164 |
| 24,000 | 681 | 24.40 | 19,850 | 722 | 27.09 | 21,873 | 763 | 29.92 | 24,154 | 802 | 32.87 | 26,368 | 841 | 35.95 | 28,839 |
| 26,000 | 696 | 27.96 | 22,577 | 734 | 30.74 | 24,655 | 772 | 33.62 | 26,972 | 809 | 36.64 | 29,391 | 846 | 39.78 | 31,911 |
| 28,000 | 712 | 32.01 | 25,678 | 748 | 34.87 | 27,970 | 784 | 37.84 | 30,357 | 820 | 40.92 | 32,827 | — | — | — |
| 30,000 | 730 | 36.55 | 29,322 | 764 | 39.52 | 31,699 | 798 | 42.58 | 34,154 | — | — | — | — | — | — |

50XJ104

| AIRFLOW CFM | AVAILABLE EXTERNAL STATIC PRESSURE (in. wg) | | | | | | | | | | | | | | |
|----------------|---|-------|--------|-----|-------|--------|-----|-------|--------|-----|-------|--------|-----|-------|--------|
| | 0.5 | | | 1.0 | | | 1.5 | | | 2.0 | | | 2.5 | | |
| | Rpm | Bhp | Watts | Rpm | Bhp | Watts | Rpm | Bhp | Watts | Rpm | Bhp | Watts | Rpm | Bhp | Watts |
| 22,000 | 422 | 9.90 | 8,254 | 475 | 11.88 | 9,739 | 524 | 13.93 | 11,422 | 572 | 16.11 | 13,204 | 617 | 18.42 | 15,098 |
| 24,000 | 448 | 12.35 | 10,121 | 498 | 14.49 | 11,880 | 545 | 16.69 | 13,682 | 589 | 18.98 | 15,557 | 632 | 21.38 | 17,395 |
| 26,000 | 474 | 15.18 | 12,440 | 522 | 17.50 | 14,348 | 566 | 19.85 | 16,272 | 608 | 22.27 | 18,115 | 648 | 24.78 | 20,160 |
| 28,000 | 501 | 18.42 | 15,097 | 546 | 20.92 | 17,023 | 588 | 23.43 | 19,063 | 628 | 26.00 | 20,988 | 666 | 28.63 | 23,116 |
| 30,000 | 528 | 22.10 | 17,979 | 571 | 24.80 | 20,174 | 611 | 27.48 | 22,185 | 649 | 30.19 | 24,213 | 685 | 32.96 | 26,439 |
| 32,000 | 554 | 26.25 | 21,193 | 596 | 29.14 | 23,524 | 634 | 31.99 | 25,664 | 671 | 34.87 | 27,974 | 706 | 37.78 | 30,306 |

| AIRFLOW CFM | AVAILABLE EXTERNAL STATIC PRESSURE (in. wg) | | | | | | | | | | | | | | |
|----------------|---|-------|--------|-----|-------|--------|-----|-------|--------|-----|-------|--------|-----|-------|--------|
| | 3.0 | | | 3.5 | | | 4.0 | | | 4.5 | | | 5.0 | | |
| | Rpm | Bhp | Watts | Rpm | Bhp | Watts | Rpm | Bhp | Watts | Rpm | Bhp | Watts | Rpm | Bhp | Watts |
| 22,000 | 662 | 20.87 | 16,980 | 706 | 23.47 | 19,097 | 749 | 26.22 | 21,167 | 791 | 29.10 | 23,498 | 832 | 32.12 | 25,762 |
| 24,000 | 674 | 23.91 | 19,455 | 715 | 26.58 | 21,459 | 755 | 29.38 | 23,724 | 795 | 32.31 | 25,920 | 834 | 35.38 | 28,378 |
| 26,000 | 687 | 27.40 | 22,124 | 726 | 30.15 | 24,183 | 764 | 33.02 | 26,484 | 802 | 36.01 | 28,882 | 839 | 39.12 | 31,381 |
| 28,000 | 703 | 31.36 | 25,155 | 740 | 34.20 | 27,430 | 776 | 37.13 | 29,787 | 811 | 40.19 | 32,242 | 846 | 43.37 | 34,787 |
| 30,000 | 721 | 35.81 | 28,723 | 756 | 38.74 | 31,076 | 790 | 41.77 | 33,507 | 823 | 44.91 | 36,028 | 857 | 48.15 | 38,627 |
| 32,000 | 740 | 40.76 | 32,698 | 773 | 43.80 | 35,134 | 805 | 46.95 | 37,662 | — | — | — | — | — | — |

LEGEND

Bhp — Brake Horsepower

GENERAL FAN PERFORMANCE NOTES

1. Units are available with several motor hp options, refer to the physical data table.
2. Do not operate in shaded area.
3. Static pressure losses must be applied to external static pressure before entering the fan performance table.
4. Interpolation is permitted; extrapolation is not.
5. Fan performance is based on filter, unit casing, and wet coil losses.

Performance data (cont)



COMPONENT PRESSURE DROP (Airside)

50XJ064

| AIRFLOW CFM | STATIC PRESSURE LOSS (in. wg) | | | | | | | |
|----------------|--------------------------------|--------------------|-------------------|------------|------------------|------------------|------------------|------------------|
| | Direct Expansion Coil (Wet) | Economizer Coil | Hot Water Coil | Steam Coil | 2-in. 30% Filter | 4-in. 30% Filter | 4-in. 65% Filter | 4-in. 85% Filter |
| 14,000 | 0.49 | 0.20 | 0.11 | 0.08 | 0.21 | 0.16 | 0.22 | 0.42 |
| 16,000 | 0.60 | 0.25 | 0.14 | 0.10 | 0.26 | 0.21 | 0.34 | 0.53 |
| 18,000 | 0.72 | 0.30 | 0.17 | 0.11 | 0.31 | 0.26 | 0.47 | 0.66 |
| 20,000 | 0.85 | 0.36 | 0.21 | 0.13 | 0.37 | 0.32 | 0.62 | 0.80 |
| 22,000 | 0.99 | 0.42 | 0.25 | 0.15 | 0.44 | 0.39 | 0.79 | 0.94 |

50XJ074

| AIRFLOW CFM | STATIC PRESSURE LOSS (in. wg) | | | | | | | |
|----------------|--------------------------------|--------------------|-------------------|------------|------------------|------------------|------------------|------------------|
| | Direct Expansion Coil (Wet) | Economizer Coil | Hot Water Coil | Steam Coil | 2-in. 30% Filter | 4-in. 30% Filter | 4-in. 65% Filter | 4-in. 85% Filter |
| 16,000 | 0.60 | 0.25 | 0.14 | 0.10 | 0.26 | 0.21 | 0.34 | 0.53 |
| 18,000 | 0.72 | 0.30 | 0.17 | 0.11 | 0.31 | 0.26 | 0.47 | 0.66 |
| 20,000 | 0.85 | 0.36 | 0.21 | 0.13 | 0.37 | 0.32 | 0.62 | 0.80 |
| 22,000 | 0.99 | 0.42 | 0.25 | 0.15 | 0.44 | 0.39 | 0.79 | 0.94 |
| 24,000 | 1.13 | 0.48 | 0.29 | 0.17 | 0.51 | 0.46 | 0.97 | 1.09 |

50XJ084

| AIRFLOW CFM | STATIC PRESSURE LOSS (in. wg) | | | | | | | |
|----------------|--------------------------------|--------------------|-------------------|------------|------------------|------------------|------------------|------------------|
| | Direct Expansion Coil (Wet) | Economizer Coil | Hot Water Coil | Steam Coil | 2-in. 30% Filter | 4-in. 30% Filter | 4-in. 65% Filter | 4-in. 85% Filter |
| 18,000 | 0.50 | 0.21 | 0.12 | 0.08 | 0.22 | 0.17 | 0.23 | 0.43 |
| 20,000 | 0.59 | 0.24 | 0.14 | 0.09 | 0.25 | 0.20 | 0.33 | 0.52 |
| 22,000 | 0.68 | 0.28 | 0.16 | 0.11 | 0.29 | 0.24 | 0.43 | 0.62 |
| 24,000 | 0.78 | 0.33 | 0.19 | 0.12 | 0.34 | 0.29 | 0.54 | 0.72 |
| 26,000 | 0.88 | 0.37 | 0.22 | 0.14 | 0.39 | 0.34 | 0.66 | 0.83 |
| 28,000 | 0.99 | 0.42 | 0.25 | 0.15 | 0.44 | 0.39 | 0.79 | 0.95 |

50XJ094

| AIRFLOW CFM | STATIC PRESSURE LOSS (in. wg) | | | | | | | |
|----------------|--------------------------------|--------------------|-------------------|------------|------------------|------------------|------------------|------------------|
| | Direct Expansion Coil (Wet) | Economizer Coil | Hot Water Coil | Steam Coil | 2-in. 30% Filter | 4-in. 30% Filter | 4-in. 65% Filter | 4-in. 85% Filter |
| 20,000 | 0.54 | 0.22 | 0.12 | 0.09 | 0.23 | 0.18 | 0.28 | 0.47 |
| 22,000 | 0.63 | 0.26 | 0.15 | 0.10 | 0.27 | 0.22 | 0.37 | 0.56 |
| 24,000 | 0.72 | 0.30 | 0.17 | 0.11 | 0.31 | 0.26 | 0.47 | 0.66 |
| 26,000 | 0.81 | 0.34 | 0.19 | 0.13 | 0.35 | 0.30 | 0.58 | 0.76 |
| 28,000 | 0.91 | 0.38 | 0.22 | 0.14 | 0.40 | 0.35 | 0.70 | 0.86 |
| 30,000 | 1.01 | 0.43 | 0.26 | 0.15 | 0.45 | 0.40 | 0.82 | 0.97 |

50XJ104

| AIRFLOW CFM | STATIC PRESSURE LOSS (in. wg) | | | | | | | |
|----------------|--------------------------------|--------------------|-------------------|------------|------------------|------------------|------------------|------------------|
| | Direct Expansion Coil (Wet) | Economizer Coil | Hot Water Coil | Steam Coil | 2-in. 30% Filter | 4-in. 30% Filter | 4-in. 65% Filter | 4-in. 85% Filter |
| 22,000 | 0.54 | 0.23 | 0.13 | 0.09 | 0.24 | 0.19 | 0.28 | 0.48 |
| 24,000 | 0.62 | 0.26 | 0.15 | 0.10 | 0.27 | 0.22 | 0.37 | 0.56 |
| 26,000 | 0.71 | 0.30 | 0.17 | 0.11 | 0.31 | 0.26 | 0.46 | 0.65 |
| 28,000 | 0.80 | 0.33 | 0.19 | 0.12 | 0.35 | 0.30 | 0.56 | 0.74 |
| 30,000 | 0.88 | 0.37 | 0.22 | 0.14 | 0.39 | 0.34 | 0.66 | 0.83 |
| 32,000 | 0.98 | 0.41 | 0.24 | 0.15 | 0.43 | 0.38 | 0.78 | 0.93 |



COMPONENT PRESSURE DROP (Waterside)

50XJ064, 50XJ074, 50XJA,B,C084 (ft wg)

| GPM | CONDENSER ONLY | CONDENSER + VALVE | CONDENSER + ECONOMIZER + VALVE |
|-----|----------------|-------------------|--------------------------------|
| 100 | 4.5 | 8.5 | 12.0 |
| 110 | 5.4 | 10.1 | 14.2 |
| 120 | 6.3 | 11.8 | 16.6 |
| 130 | 7.3 | 13.6 | 19.2 |
| 140 | 8.3 | 15.5 | 21.9 |
| 150 | 9.4 | 17.6 | 24.8 |
| 160 | 10.5 | 19.7 | 27.8 |
| 170 | 11.8 | 22.0 | 31.0 |
| 180 | 13.0 | 24.4 | 34.3 |
| 190 | 14.4 | 26.9 | 37.8 |
| 200 | 15.8 | 29.5 | 41.5 |
| 210 | 17.2 | 32.2 | 45.2 |
| 220 | 18.7 | 35.0 | 49.2 |
| 230 | 20.3 | 37.9 | 53.2 |
| 240 | 21.9 | 40.9 | 57.5 |
| 250 | 23.5 | 44.1 | 61.8 |
| 260 | 25.3 | 47.3 | 66.3 |
| 263 | 25.8 | 48.3 | 67.7 |

50XJD,E,F084 (ft wg)

| GPM | CONDENSER ONLY | CONDENSER + VALVE | CONDENSER + ECONOMIZER + VALVE |
|-----|----------------|-------------------|--------------------------------|
| 165 | 12.0 | 21.7 | 30.3 |
| 170 | 12.7 | 22.9 | 31.9 |
| 180 | 14.1 | 25.4 | 35.4 |
| 190 | 15.5 | 28.0 | 39.0 |
| 200 | 17.0 | 30.7 | 42.7 |
| 210 | 18.6 | 33.6 | 46.6 |
| 220 | 20.2 | 36.5 | 50.7 |
| 230 | 21.9 | 39.5 | 54.9 |
| 240 | 23.6 | 42.7 | 59.2 |
| 250 | 25.4 | 45.9 | 63.7 |
| 260 | 27.3 | 49.3 | 68.3 |
| 270 | 29.2 | 52.8 | 73.1 |
| 280 | 31.2 | 56.3 | 78.0 |
| 290 | 33.2 | 60.0 | 83.1 |
| 300 | 35.3 | 63.8 | 88.3 |
| 310 | 37.4 | 67.7 | 93.7 |
| 320 | 39.6 | 71.6 | 99.2 |
| 330 | 41.9 | 75.7 | 104.8 |
| 340 | 44.2 | 79.9 | 110.5 |
| 350 | 46.6 | 84.2 | 116.4 |

50XJA094 (ft wg)

| GPM | CONDENSER ONLY | CONDENSER + VALVE | CONDENSER + ECONOMIZER + VALVE |
|-----|----------------|-------------------|--------------------------------|
| 150 | 9.4 | 17.6 | 23.1 |
| 160 | 10.5 | 19.7 | 25.9 |
| 170 | 11.8 | 22.0 | 28.9 |
| 180 | 13.0 | 24.4 | 32.0 |
| 190 | 14.4 | 26.9 | 35.2 |
| 200 | 15.8 | 29.5 | 38.6 |
| 210 | 17.2 | 32.2 | 42.2 |
| 220 | 18.7 | 35.0 | 45.8 |
| 230 | 20.3 | 37.9 | 49.6 |
| 240 | 21.9 | 40.9 | 53.6 |
| 250 | 23.5 | 44.1 | 57.6 |
| 260 | 25.3 | 47.3 | 61.8 |
| 263 | 25.8 | 48.3 | 63.1 |

50XJB,C,D,F094, 50XJA,B,D104 (ft wg)

| GPM | CONDENSER ONLY | CONDENSER + VALVE | CONDENSER + ECONOMIZER + VALVE |
|-----|----------------|-------------------|--------------------------------|
| 165 | 12.0 | 21.7 | 28.2 |
| 170 | 12.7 | 22.9 | 29.8 |
| 180 | 14.1 | 25.4 | 33.0 |
| 190 | 15.5 | 28.0 | 36.4 |
| 200 | 17.0 | 30.7 | 39.9 |
| 210 | 18.6 | 33.6 | 43.5 |
| 220 | 20.2 | 36.5 | 47.3 |
| 230 | 21.9 | 39.5 | 51.2 |
| 240 | 23.6 | 42.7 | 55.3 |
| 250 | 25.4 | 45.9 | 59.5 |
| 260 | 27.3 | 49.3 | 63.9 |
| 270 | 29.2 | 52.8 | 68.3 |
| 280 | 31.2 | 56.3 | 72.9 |
| 290 | 33.2 | 60.0 | 77.7 |
| 300 | 35.3 | 63.8 | 82.5 |
| 310 | 37.4 | 67.7 | 87.5 |
| 320 | 39.6 | 71.6 | 92.7 |
| 330 | 41.9 | 75.7 | 97.9 |
| 340 | 44.2 | 79.9 | 103.3 |
| 350 | 46.6 | 84.2 | 108.8 |

50XJE,F104 (ft wg)

| GPM | CONDENSER ONLY | CONDENSER + VALVE | CONDENSER + ECONOMIZER + VALVE |
|-----|----------------|-------------------|--------------------------------|
| 225 | 19.0 | 36.0 | 47.3 |
| 230 | 19.8 | 37.4 | 49.2 |
| 240 | 21.4 | 40.4 | 53.1 |
| 250 | 23.0 | 43.5 | 57.1 |
| 260 | 24.7 | 46.7 | 61.3 |
| 270 | 26.4 | 50.0 | 65.5 |
| 280 | 28.2 | 53.4 | 70.0 |
| 290 | 30.0 | 56.8 | 74.5 |
| 300 | 31.9 | 60.4 | 79.2 |
| 310 | 33.9 | 64.1 | 84.0 |
| 320 | 35.9 | 67.9 | 88.9 |
| 330 | 37.9 | 71.7 | 93.9 |
| 340 | 40.0 | 75.7 | 99.1 |
| 350 | 42.1 | 79.7 | 104.4 |
| 360 | 44.3 | 83.9 | 109.8 |
| 370 | 46.6 | 88.1 | 115.3 |
| 380 | 48.9 | 92.4 | 121.0 |
| 390 | 51.2 | 96.9 | 126.7 |
| 394 | 52.1 | 98.7 | 129.1 |

Electrical data



COMPRESSORS

| UNIT | NOMINAL VOLTAGE (3 Ph, 60 Hz) | VOLTAGE RANGE | | COMPRESSOR | | | | | | | | IFM |
|----------|----------------------------------|---------------|-----|------------|-----|-------|-----|-------|-----|-------|-----|-------------------------|
| | | Min | Max | No. 1 | | No. 2 | | No. 3 | | No. 4 | | |
| | | | | RLA | LRA | RLA | LRA | RLA | LRA | RLA | LRA | |
| 50XJC064 | 208/230 | 187 | 253 | 32.6 | 278 | 32.6 | 278 | 32.6 | 278 | 32.6 | 278 | See fan electrical data |
| | 460 | 414 | 506 | 16.4 | 127 | 16.4 | 127 | 16.4 | 127 | 16.4 | 127 | |
| | 575 | 518 | 632 | 13.6 | 100 | 13.6 | 100 | 13.6 | 100 | 13.6 | 100 | |
| 50XJE064 | 208/230 | 187 | 253 | 32.6 | 278 | 41.0 | 350 | 41.0 | 350 | 41.0 | 350 | See fan electrical data |
| | 460 | 414 | 506 | 16.4 | 127 | 21.8 | 158 | 21.8 | 158 | 16.4 | 127 | |
| | 575 | 518 | 632 | 16.4 | 100 | 17.2 | 125 | 17.2 | 125 | 16.4 | 100 | |
| 50XJF064 | 208/230 | 187 | 253 | 41.0 | 350 | 41.0 | 350 | 41.0 | 350 | 41.0 | 350 | See fan electrical data |
| | 460 | 414 | 506 | 21.8 | 158 | 21.8 | 158 | 21.8 | 158 | 21.8 | 158 | |
| | 575 | 518 | 632 | 17.2 | 125 | 17.2 | 125 | 17.2 | 125 | 17.2 | 125 | |
| 50XJB074 | 208/230 | 187 | 253 | 32.6 | 278 | 41.0 | 350 | 41.0 | 350 | 41.0 | 350 | See fan electrical data |
| | 460 | 414 | 506 | 16.4 | 127 | 21.8 | 158 | 21.8 | 158 | 16.4 | 127 | |
| | 575 | 518 | 632 | 13.6 | 100 | 17.2 | 125 | 17.2 | 125 | 13.6 | 100 | |
| 50XJC074 | 208/230 | 187 | 253 | 41.0 | 350 | 41.0 | 350 | 41.0 | 350 | 41.0 | 350 | See fan electrical data |
| | 460 | 414 | 506 | 21.8 | 158 | 21.8 | 158 | 21.8 | 158 | 21.8 | 158 | |
| | 575 | 518 | 632 | 17.2 | 125 | 17.2 | 125 | 17.2 | 125 | 17.2 | 125 | |
| 50XJD074 | 208/230 | 187 | 253 | 41.0 | 350 | 48.0 | 425 | 48.0 | 425 | 41.0 | 350 | See fan electrical data |
| | 460 | 414 | 506 | 21.8 | 158 | 23.7 | 187 | 23.7 | 187 | 21.8 | 158 | |
| | 575 | 518 | 632 | 17.2 | 125 | 21.1 | 148 | 21.1 | 148 | 17.2 | 125 | |
| 50XJE074 | 208/230 | 187 | 253 | 48.0 | 425 | 48.0 | 425 | 48.0 | 425 | 48.0 | 425 | See fan electrical data |
| | 460 | 414 | 506 | 23.7 | 187 | 23.7 | 187 | 23.7 | 187 | 23.7 | 187 | |
| | 575 | 518 | 632 | 21.1 | 148 | 21.1 | 148 | 21.1 | 148 | 21.1 | 148 | |
| 50XJA084 | 208/230 | 187 | 253 | 41.0 | 350 | 41.0 | 350 | 41.0 | 350 | 41.0 | 350 | See fan electrical data |
| | 460 | 414 | 506 | 21.8 | 158 | 21.8 | 158 | 21.8 | 158 | 21.8 | 158 | |
| | 575 | 518 | 632 | 17.2 | 125 | 17.2 | 125 | 17.2 | 125 | 17.2 | 125 | |
| 50XJB084 | 208/230 | 187 | 253 | 41.0 | 350 | 48.0 | 425 | 48.0 | 425 | 41.0 | 350 | See fan electrical data |
| | 460 | 414 | 506 | 21.8 | 158 | 23.7 | 187 | 23.7 | 187 | 21.8 | 158 | |
| | 575 | 518 | 632 | 17.2 | 125 | 21.1 | 148 | 21.1 | 148 | 17.2 | 125 | |
| 50XJC084 | 208/230 | 187 | 253 | 48.0 | 425 | 48.0 | 425 | 48.0 | 425 | 48.0 | 425 | See fan electrical data |
| | 460 | 414 | 506 | 23.7 | 187 | 23.7 | 187 | 23.7 | 187 | 23.7 | 187 | |
| | 575 | 518 | 632 | 21.1 | 148 | 21.1 | 148 | 21.1 | 148 | 21.1 | 148 | |
| 50XJD084 | 208/230 | 187 | 253 | 41.0 | 350 | 73.1 | 505 | 73.1 | 505 | 41.0 | 350 | See fan electrical data |
| | 460 | 414 | 506 | 21.8 | 158 | 30.1 | 225 | 30.1 | 225 | 21.8 | 158 | |
| | 575 | 518 | 632 | 17.2 | 125 | 24.3 | 180 | 24.3 | 180 | 17.2 | 125 | |
| 50XJE084 | 208/230 | 187 | 253 | 48.0 | 425 | 73.1 | 505 | 73.1 | 505 | 48.0 | 425 | See fan electrical data |
| | 460 | 414 | 506 | 23.7 | 187 | 30.1 | 225 | 30.1 | 225 | 23.7 | 187 | |
| | 575 | 518 | 632 | 21.1 | 148 | 24.3 | 180 | 24.3 | 180 | 21.1 | 148 | |
| 50XJF084 | 208/230 | 187 | 253 | 41.0 | 350 | 78.8 | 500 | 78.8 | 500 | 41.0 | 350 | See fan electrical data |
| | 460 | 414 | 506 | 21.8 | 158 | 38.4 | 250 | 38.4 | 250 | 21.8 | 158 | |
| | 575 | 518 | 632 | 17.2 | 125 | 30.7 | 198 | 30.7 | 198 | 17.2 | 125 | |
| 50XJA094 | 460 | 414 | 506 | 23.7 | 187 | 23.7 | 187 | 23.7 | 187 | 23.7 | 187 | See fan electrical data |
| | 575 | 518 | 632 | 21.1 | 148 | 21.1 | 148 | 21.1 | 148 | 21.1 | 148 | |
| 50XJB094 | 460 | 414 | 506 | 21.8 | 158 | 30.1 | 225 | 30.1 | 225 | 21.8 | 158 | See fan electrical data |
| | 575 | 518 | 632 | 17.2 | 125 | 24.3 | 180 | 24.3 | 180 | 17.2 | 125 | |
| 50XJC094 | 460 | 414 | 506 | 23.7 | 187 | 30.1 | 225 | 30.1 | 225 | 23.7 | 187 | See fan electrical data |
| | 575 | 518 | 632 | 21.1 | 148 | 24.3 | 180 | 24.3 | 180 | 21.1 | 148 | |
| 50XJD094 | 460 | 414 | 506 | 21.8 | 158 | 38.4 | 250 | 38.4 | 250 | 21.8 | 158 | See fan electrical data |
| | 575 | 518 | 632 | 17.2 | 125 | 30.7 | 198 | 30.7 | 198 | 17.2 | 125 | |
| 50XJF094 | 460 | 414 | 506 | 23.7 | 187 | 38.4 | 250 | 38.4 | 250 | 23.7 | 187 | See fan electrical data |
| | 575 | 518 | 632 | 21.1 | 148 | 30.7 | 198 | 30.7 | 198 | 21.1 | 148 | |
| 50XJA104 | 460 | 414 | 506 | 23.7 | 187 | 30.1 | 225 | 30.1 | 225 | 23.7 | 187 | See fan electrical data |
| | 575 | 518 | 632 | 21.1 | 148 | 24.3 | 180 | 24.3 | 180 | 21.1 | 148 | |
| 50XJB104 | 460 | 414 | 506 | 21.8 | 158 | 38.4 | 250 | 38.4 | 250 | 21.8 | 158 | See fan electrical data |
| | 575 | 518 | 632 | 17.2 | 125 | 30.7 | 198 | 30.7 | 198 | 17.2 | 125 | |
| 50XJD104 | 460 | 414 | 506 | 23.7 | 187 | 38.4 | 250 | 38.4 | 250 | 23.7 | 187 | See fan electrical data |
| | 575 | 518 | 632 | 21.1 | 148 | 30.7 | 198 | 30.7 | 198 | 21.1 | 148 | |
| 50XJE104 | 460 | 414 | 506 | 30.1 | 225 | 38.4 | 250 | 38.4 | 250 | 30.1 | 225 | See fan electrical data |
| | 575 | 518 | 632 | 24.3 | 180 | 30.7 | 198 | 30.7 | 198 | 24.3 | 180 | |
| 50XJF104 | 460 | 414 | 506 | 38.4 | 250 | 38.4 | 250 | 38.4 | 250 | 38.4 | 250 | See fan electrical data |
| | 575 | 518 | 632 | 30.7 | 198 | 30.7 | 198 | 30.7 | 198 | 30.7 | 198 | |

LEGEND

- IFM — Indoor Fan Motor
- LRA — Locked Rotor Amps
- RLA — Rated Load Amps



INDOOR FAN MOTORS

| MOTOR TYPE | MOTOR CODE | HP | NOMINAL VOLTAGE (3 Ph, 60 Hz) | VOLTAGE RANGE | | FLA |
|---|--|-----|----------------------------------|---------------|-----|-----------|
| | | | | Min | Max | |
| Open Drip-Proof (ODP) High Efficiency | B | 7.5 | 208/230 | 187 | 253 | 22.4/19.4 |
| | | | 460 | 414 | 506 | 9.7 |
| | | | 575 | 518 | 632 | 7.8 |
| | C | 10 | 208/230 | 187 | 253 | 29.3/26.8 |
| | | | 460 | 414 | 506 | 13.4 |
| | | | 575 | 518 | 632 | 10.3 |
| | D | 15 | 208/230 | 187 | 253 | 43.2/38.6 |
| | | | 460 | 414 | 506 | 19.3 |
| | | | 575 | 518 | 632 | 15.4 |
| | E | 20 | 208/230 | 187 | 253 | 56.0/49.6 |
| | | | 460 | 414 | 506 | 24.8 |
| | | | 575 | 518 | 632 | 19.8 |
| | F | 25 | 208/230 | 187 | 253 | 70.5/60.6 |
| | | | 460 | 414 | 506 | 30.3 |
| | | | 575 | 518 | 632 | 24.3 |
| | G | 30 | 208/230 | 187 | 253 | 85.0/75.0 |
| | | | 460 | 414 | 506 | 37.5 |
| | | | 575 | 518 | 632 | 30.0 |
| | H | 40 | 208/230 | 187 | 253 | 110/95.0 |
| | | | 460 | 414 | 506 | 45.0 |
| | | | 575 | 518 | 632 | 41.0 |
| | J | 50 | 460 | 414 | 506 | 58.5 |
| | | | 575 | 518 | 632 | 48.0 |
| | Open Drip-Proof (ODP) Premium Efficiency | M | 7.5 | 208/230 | 187 | 253 |
| 460 | | | | 414 | 506 | 9.7 |
| N | | 10 | 208/230 | 187 | 253 | 28.0/25.2 |
| | | | 460 | 414 | 506 | 12.6 |
| P | | 15 | 208/230 | 187 | 253 | 42.5/37.8 |
| | | | 460 | 414 | 506 | 18.9 |
| Q | | 20 | 208/230 | 187 | 253 | 56.0/49.0 |
| | | | 460 | 414 | 506 | 24.5 |
| R | | 25 | 208/230 | 187 | 253 | 69.5/61.0 |
| | | | 460 | 414 | 506 | 30.5 |
| S | | 30 | 208/230 | 187 | 253 | 82.5/72.4 |
| | | | 460 | 414 | 506 | 36.2 |
| T | | 40 | 208/230 | 187 | 253 | 108/96.0 |
| | | | 460 | 414 | 506 | 48.0 |
| U | | 50 | 460 | 414 | 506 | 60.0 |

LEGEND

FLA — Full Load Amps

Electrical data (cont)



INDOOR FAN MOTORS (cont)

| MOTOR TYPE | MOTOR CODE | HP | NOMINAL VOLTAGE (3 Ph, 60 Hz) | VOLTAGE RANGE | | FLA |
|------------------------------------|------------|-----|----------------------------------|---------------|-----|-----------|
| | | | | Min | Max | |
| Totally Enclosed Fan-Cooled (TEFC) | 1 | 7.5 | 208/230 | 187 | 253 | 24.0/19.2 |
| | | | 460 | 414 | 506 | 9.6 |
| | | | 575 | 518 | 632 | 7.6 |
| | 2 | 10 | 208/230 | 187 | 253 | 28.3/24.0 |
| | | | 460 | 414 | 506 | 12.0 |
| | | | 575 | 518 | 632 | 9.6 |
| | 3 | 15 | 208/230 | 187 | 253 | 41.5/36.0 |
| | | | 460 | 414 | 506 | 18.0 |
| | | | 575 | 518 | 632 | 14.5 |
| | 4 | 20 | 208/230 | 187 | 253 | 56.3/47.0 |
| | | | 460 | 414 | 506 | 23.5 |
| | | | 575 | 518 | 632 | 18.8 |
| | 5 | 25 | 208/230 | 187 | 253 | 68.1/62.0 |
| | | | 460 | 414 | 506 | 31.0 |
| | | | 575 | 518 | 632 | 22.8 |
| | 6 | 30 | 208/230 | 187 | 253 | 81.7/73.6 |
| | | | 460 | 414 | 506 | 36.8 |
| | | | 575 | 518 | 632 | 27.6 |
| | 7 | 40 | 208/230 | 187 | 253 | 108/95.0 |
| | | | 460 | 414 | 506 | 47.5 |
| | | | 575 | 518 | 632 | 37.6 |
| | 8 | 50 | 460 | 414 | 506 | 59.0 |
| | | | 575 | 518 | 632 | 47.2 |

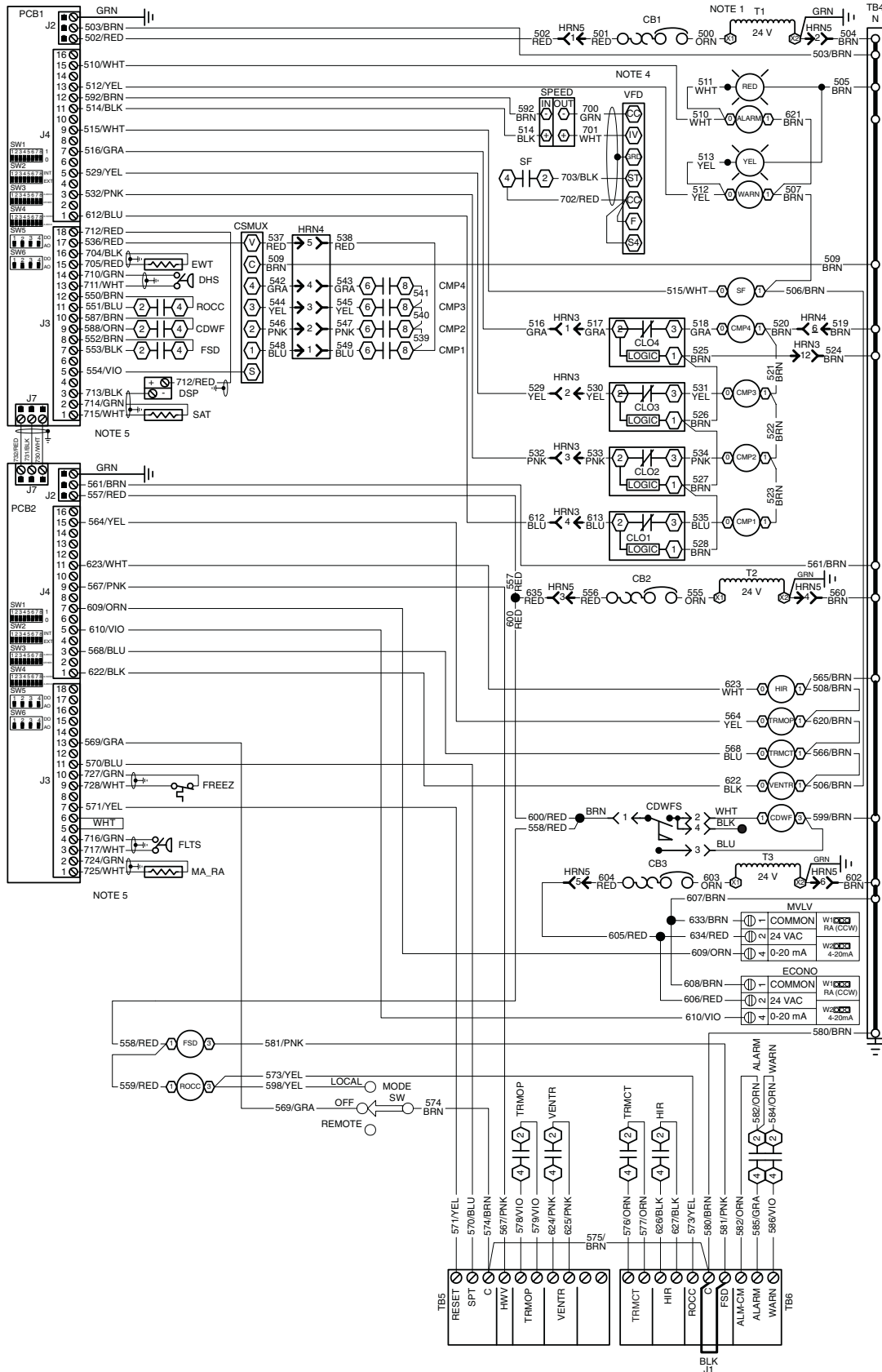
LEGEND

FLA — Full Load Amps

Typical wiring schematics



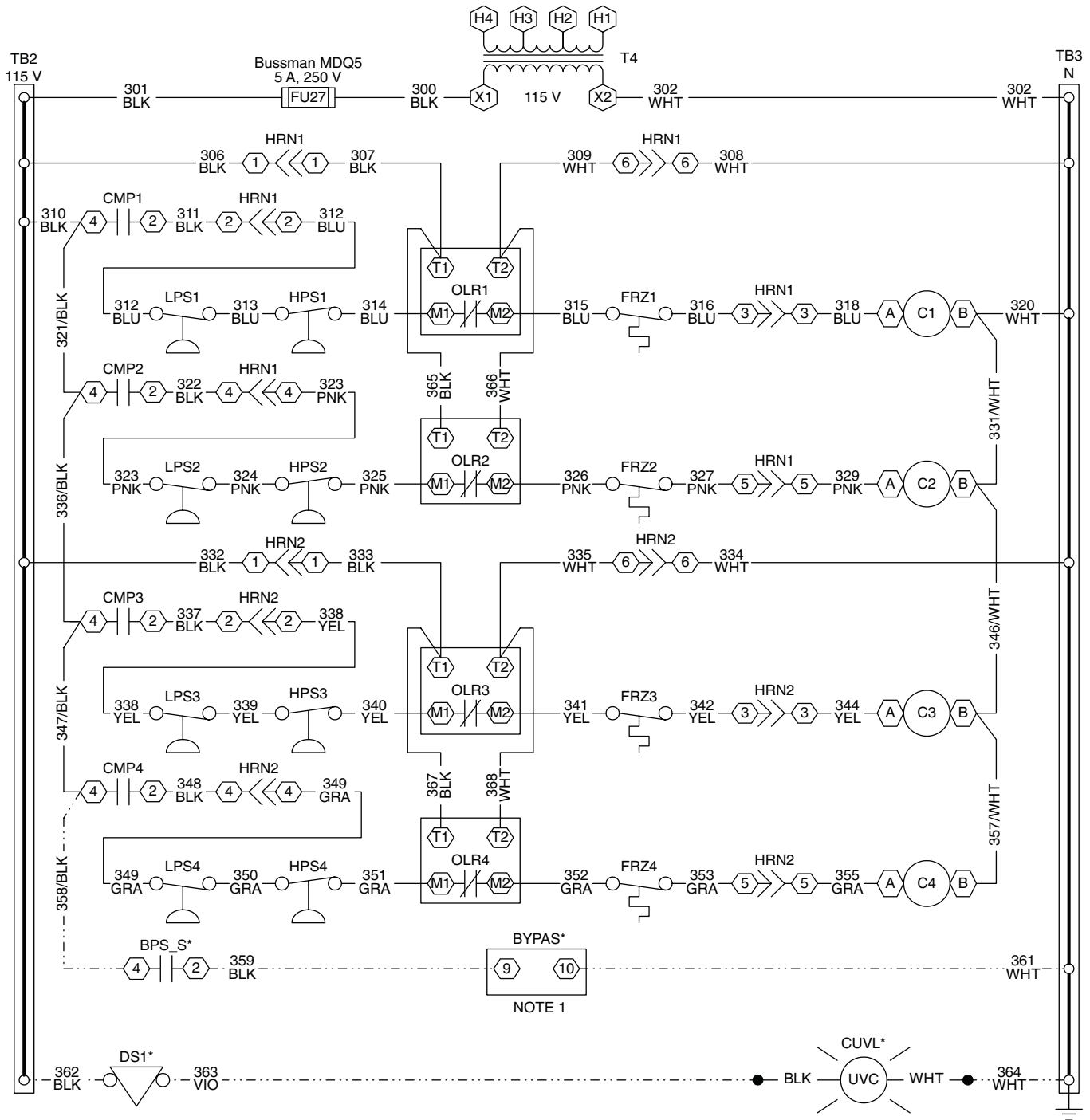
50XJ LOW VOLTAGE CONTROL WIRING



Typical wiring schematics (cont)



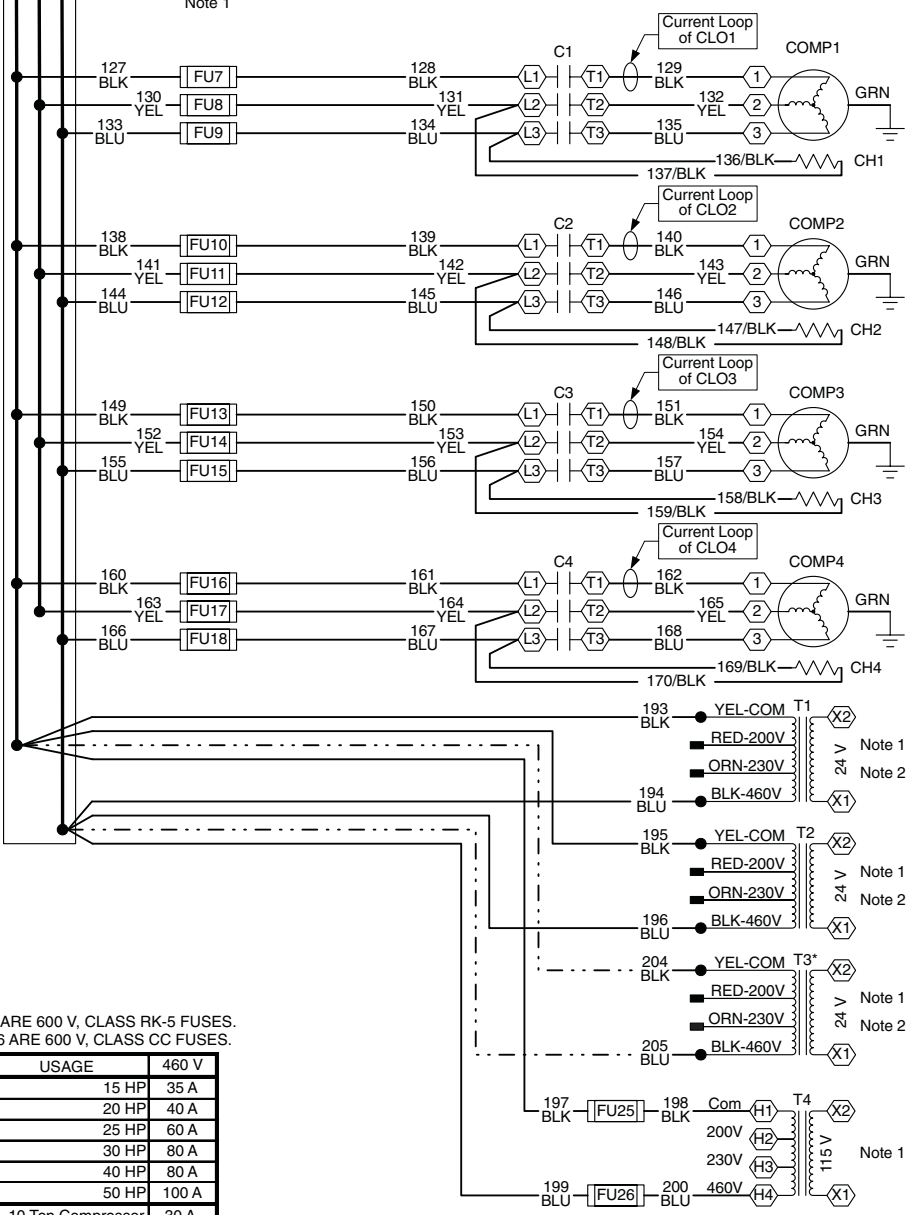
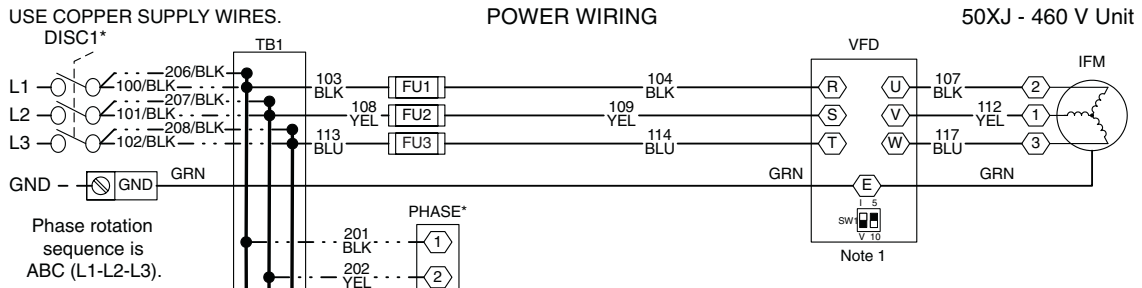
50XJ 115V CONTROL WIRING



SWITCH SETTINGS

| ID | Open | Close |
|--------|-----------------|-----------------|
| FRZ1-4 | 30 +/- 5 °F | 45 +/- 6 °F |
| HPS1-4 | 360 +/- 10 PSIG | 264 +/- 15 PSIG |
| LPS1-4 | 27 +/- 4 PSIG | 67 +/- 7 PSIG |

50XJ POWER WIRING



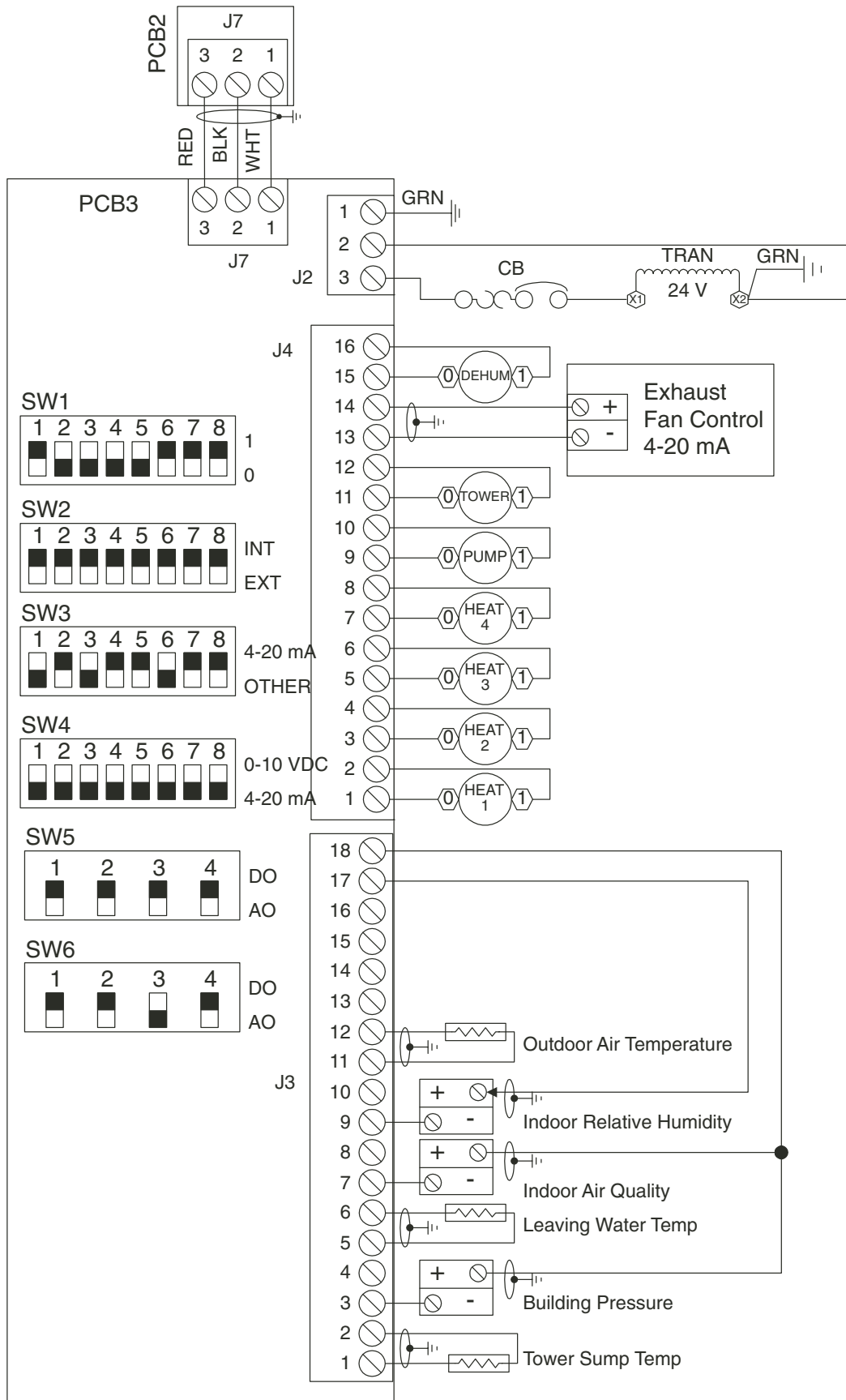
FUSES 1-18 ARE 600 V, CLASS RK-5 FUSES.
FUSES 25-26 ARE 600 V, CLASS CC FUSES.

| FUSE | USAGE | 460 V |
|----------|-------------------|-------|
| FU1-3 | 15 HP | 35 A |
| | 20 HP | 40 A |
| | 25 HP | 60 A |
| | 30 HP | 80 A |
| | 40 HP | 80 A |
| FU 7-18 | 50 HP | 100 A |
| | 10 Ton Compressor | 30 A |
| | 13 Ton Compressor | 40 A |
| | 15 Ton Compressor | 40 A |
| | 20 Ton Compressor | 50 A |
| FU 25-26 | 25 Ton Compressor | 60 A |
| | | 3 A |

Typical wiring schematics (cont)



ACCESSORY CONTROL MODULE (PCB3) SCHEMATIC





LEGEND AND NOTES FOR WIRING DIAGRAMS

LEGEND

| | | |
|---|---|---|
| ALARM — Unit Alarm Relay (Critical Fault) | FREEZ — Freeze Thermostat (Water Economizer) | SAT — Supply Air Temp. Sensor |
| ALM-CM — Alarm/Warning Relay Common | FRZ — Freeze Thermostat (DX Circuit) | SPT — Space/Zone Temperature Sensor |
| BPS_S — Fan Start/Stop Relay (VFD Bypass Mode) | FSD — Fire Alarm/Shutdown | SF — Supply Fan Start/Stop Relay |
| BYPAS — VFD Bypass Control | FU — Fuse | SPEED — 0-10 VDC Signal Isolator for VFD |
| C — Compressor Contactor | GND — Ground | SW — Switch |
| CB — Circuit Breaker | HEAT — Electric Heat Stage Control | T — Transformer |
| CDWF — Condenser Waterflow Relay | HIR — Heat Interlock Relay | TB1 — Power Distribution Terminal Block |
| CDWFS — Condenser Waterflow Switch | HPS — High Refrigerant Pressure Switch | TB2 — 120 V-Hot Terminal Block |
| CH — Crankcase Heater | HRN — Harness | TB3 — 120 V-Neutral Terminal Block |
| CLO — Compressor Lockout Control | HWV — Hot Water Valve | TB5-7 — Terminal Blocks for Field Connections |
| CMP — Compressor Control Relay | IFM — Indoor Fan Motor | TOWER — Tower Request |
| COMP — Compressor | J — Jumper Wire | R — |
| CSMUX — Signal Multiplexer-Comp Status | LPS — Low Refrigerant Pressure Switch | TRMCT — VAV Terminals Control |
| CUVL — UVC Light For Indoor Coil Area | MA_RA — Mixed/Return Air Temp. Sensor | TRMOP — VAV Terminals Open |
| DEHUM — External Dehumidification | MVLV — Modulating Valve (Econ)/Heat Pres. Ctl. | VENTR — Ventilation Output |
| DHS — Duct High Static Limit Switch | OLR — Compressor Motor Protector | VFD — Variable Frequency Drive |
| DISC1 — Disconnect Switch | PCB1 — Unit Control Board | WARN — Unit Warning Relay (Non-Critical Fault) |
| DS — Door Switch | PCB2,3 — I/O Expansion Board | — . . . — Optional Wiring (Optional Items Noted With “**”) |
| DSP — Duct Static Pressure Transducer | PHASE — Phase/Rotation Monitor | — — — Field Wiring |
| ECONO — Economizer Valve/Damper Control | PUMP — Water Pump Request | |
| EWT — Entering Water Temp. Sensor | RESET — External Reset | |
| FLTS — Filter Status Switch | ROCC — Remote Occupancy | |

NOTES:

1. Partial wiring shown on both power and control diagrams.
2. All class 2 transformers are wired into separate circuits. Do not interconnect these transformers or circuits; circuit separation shall be maintained.
3. On 200/240 v units, the transformers are factory wired for 240 v. For 200 v applications, move the blue wire to the 200 v tap of each transformer.
4. Shielded wire shall have drain wire connected to VFD ground screw. The floating end of the drain wire shall be insulated.
5. Shielded wire shall have drain wire connected to the control panel, adjacent to the PCB. The floating end of the drain wire shall be insulated.

Sequence of operation

The following control sequence of operation for the 50XJ unit describes the various sequences that occur depending upon the way an operation is triggered and which software control points are involved.

Supply fan — The Supply fan can be activated in any of the following ways:

- Unoccupied space or return air temperature demand.
- Unoccupied Linkage demand.
- Local Time Schedule (TIMECLOCK software point).
- Remote Occupancy (ROCC software point).
- By placing the remote-off-local switch in the local mode.
- Enabled by Schedule.

Once one of the above conditions exists, either TIMECLOCK or ROCC indicates ON or Enable. The software point OKFAN will turn on followed by the points TRMCT for air terminal control and PUMP and TOWER to request condenser water flow and temperature control. Approximately 20 to 30 seconds later the supply fan (SF) point will turn ON and the VFD output SPEED will increase. The SPEED point will output a signal, determined by a PID (proportional integral) calculation, based on the duct static pressure DSP input and the Supply Static Pressure set point in SETPT05.

Once the supply fan is running and the static pressure increases above the supply fan status set point in SETPT01, the supply fan status point (SFS) will indicate ON and the software point SF_SFS will indicate TRUE.

Enabled by unoccupied demand — A software point “Space Control Point” will display the current value of the sensor used to determine unoccupied demand. The display is based on the sensors installed and the configuration of these sensors in the custom configuration, or the status of linkage.

If the return/mixed air sensor is in the mixed airstream and configured as such and there is no Space temperature sensor installed and no Linkage, the Space Control Point will display a default value of 75 F, which is above the default occupied cooling set point and below the unoccupied cooling set point. If this condition exists, supply air reset from a sensor and unoccupied unit operation will not occur.

If the unit is configured to use a sensor for the Space Control Point or if Linkage is active and the space has unoccupied demand, the software point OKFAN will turn on followed by the points TRMCT for air terminal control and PUMP and TOWER to request condenser water flow and temperature control. Approximately 20 to 30 seconds later the SF point will turn ON and then the VFD output SPEED will increase. If unoccupied demand is the reason the fan is on, a control force will appear next to the OKFAN point. Otherwise there should not be a force on that point.

If the fan is running due to unoccupied heating or cooling demand, either the space temperature (if installed), return air temperature or average linkage temperature must rise or drop to within half way between the occupied

and unoccupied set points in order for the fan to turn back off.

Enabled by switching to local mode — When the switch is placed in the local mode the ROCC point will indicate enable. If ROCC is ENABLED a software routine will override the occupancy schedule so that TIMECLOCK will also turn on. When ROCC is turned off the TIMECLOCK point will turn off within 60 seconds.

Supply fan shutdown — If the unoccupied demand is satisfied and TIMECLOCK and ROCC are off and disabled, OKFAN will turn off, SF_SFS will turn off, Tower and PUMP will turn off, and then 5 minutes later the SF point will turn off and the VFD speed will go to 0%.

During the 5-minute delay, the cooling and heating routines become disabled. This delay allows a compressor that may have just started to run for its 5-minute minimum on time with the supply fan on. For example, if the staging routine had just started Compressor 3 at the time the OKFAN point changed to OFF, the cooling routine would become disabled and compressors 1 and 2 would shut off right away. Compressor three would continue to run for its minimum on time of 5 minutes. The fan continues running until all compressors meet the minimum on time and run with a load, preventing them from shutting down due to a safety.

Supply fan operation with optional bypass — If the optional VFD Bypass is installed and the Bypass switch has been turned to Bypass, and the access panel is in place, the software point Bypass access panel secure BB_SAFE has been turned to ON, and the unit operation switch has been placed back in local or remote, then the bypass start stop point BPS_S will follow the SF point when it turns on and off. The terminal open point TRMOP will go on with the TRMCT point before the fan starts.

Compressor cooling — If the fan is on and there is no demand for Heat, the equipment mode (MODE) will be COOL, and Cooling (COOLOK) will switch to ENABLE.

If the unit is configured for variable flow the Reverse/Head Pressure CTRL valve will open (otherwise it will already be open), and if there is condenser water flow (CDWF is YES), then the Fan + Condenser water flow point will become TRUE and the Compressor Cooling (COMRES) point will switch to Enable.

COMRES triggers the compressor staging routine that controls the number of compressors energized. Units are equipped with 4 compressors piped in separate refrigerant circuits, and staged On/Off in a fixed sequential manner (compressor no. 1 through compressor no. 4). The compressor control routine uses a PID calculation to determine the percentage of cooling required, from 1 to 100%. Demand for the PID calculation is determined from the supply air temperature and the supply air set point (SETPT06).

Compressor cooling (COMPRES) will be turned off for any of the following reasons:

- There is no condenser water flow (CDWF is Off).
- Economizer Freezestat (FREEZ) has been in alarm for more than 15 minutes.
- MODE changes to heat.

- OKFAN turns off during normal shut down.
- During normal compressor operation the minimum on time is 5 minutes and the minimum off time is 5 minutes.

Economizer cooling — The unit diverts condenser inlet water flow through an optional economizer coil to precool evaporator entering airflow. This occurs when there is demand for the cooling, and the temperature at an entering water temperature (EWT) thermistor is colder than the economizer start set point. Water flow is controlled via two electronic water flow valves. This option also incorporates an Economizer Freeze Switch (EFS), located at the inlet of the economizer coil.

Economizer water flow is in series with the condensers allowing compressor operation while the economizer is operating.

If the Fan is on, and there is no demand for heat then the equipment mode (MODE) will be COOL and Cooling (COOLOK) will switch to ENABLE.

If the unit is configured for variable flow the Reverse/Head Pressure CTRL valve will open (otherwise it will already be open), and if there is condenser water flow (CDWF is YES) then the Fan + Condenser water flow point will become TRUE.

If the entering-water temperature is below the economizer start set point, then the Mod. Econ Enabled point (ECONOK) will change to enable and the Economizer valve will modulate open to lower the Economizer control temperature to the supply air set point (SETPT06) temperature. The economizer modulation is controlled by a PID loop and the Reverse/Head pressure control valve will modulate in reverse of the Economizer valve using the formula $MVLV = 100 - ECONO$.

Cooling reset — The controller can reset the supply air set point using these three methods:

- An external 0 to 10 volt input RESET
- The value of the space control point
- Linkage

The external 0 to 10 volt input reset is configured to produce a 0 to 20 degree supply air reset over the 2 to 10 volt range. If more than 1.8 volts is sensed on the input, this method of reset takes priority over other methods.

NOTE: The reset from all methods may be limited to 10 F or 15 F by changing the high end point of the custom voltage input from the default (20 F) to 15 F or 10 F.

Either the return air or a space temperature sensor will be used as the space control point. If this variable goes below the Occupied High set point in the HEAT/COOL MODE AND RESET set point (SETPT03), then for each degree that the Space control point is below the set point value the supply air set point will be reset by the value configured in the custom configuration RESET RATIO.

If Linkage is active, for each degree that the average occupied space temperature is below the average occupied cool set point, the supply air set point will be reset by the amount configured in the RESET RATIO. Reset will be

limited to the maximum value the custom voltage input RESET can display.

Heating — The controller is configured to control two types of heat:

- A modulating 4 to 20 mA output Hot Water Valve (HWV) in the base unit, wired to the second module.
- Four stages of staged heat wired to a third, accessory module (PCB3).

For either method of heat to function, a space control point must be configured in the custom configuration. This control point comes from a return air sensor or space sensor, or from the average space temperature received through linkage.

Whenever the space control point is below the occupied or unoccupied heat set point the mode will change to heat and if unoccupied the fan will be started. For linkage, this occurs if the average space temperature is below the appropriate average heat set point.

Both heat control routines use a PID to calculate a supply air set point that will satisfy the heat demand in the space. The modulating output and the staged outputs will both operate at the same time to control an attached heat source, such as steam valves or electric heaters, to provide the supply-air temperature required.

The heat mode changes back to cool when the space control point is back above the occupied heat set point. For linkage, the mode changes back to cool when the average space temperature is back above the average occupied heat set point.

When unoccupied heat is enabled the fan will be stopped and the heat turned off when the space control temperature is more than halfway above the difference between the occupied heat set point and the unoccupied heat set point. For example, if the occupied heat set point is 70 and the unoccupied heat set point is 60 the unit will come on for unoccupied heating below 60 F and turn off again above 65 F. The average occupied and unoccupied set points are used when linkage is active.

Head pressure control (HPC) — In installations where entering water temperature can fall below 55 F, where a water economizer (described above) is not installed, the HPC provides 1 or 2 electronic water flow control valves to vary flow to the condensers. Controlling the water flow maintains compressor discharge pressure above a minimum value, ensuring sufficient refrigerant flow out of the condenser and throughout the refrigerant circuit. Refrigerant pressure is measured at compressor circuit no. 1 by a Discharge Pressure Sensor (DPS).

Units not equipped with a water economizer can be ordered with the reverse/head pressure control valve factory installed and a pressure transducer located in the discharge line of compressor no. 1.

When the condenser water temperature gets low enough to cause the head pressure to drop, the valve will be modulated to control the head pressure of all four compressors by varying the water flow through the condensers.

Controls (cont)



When the unit is operating and the COOLOK software point is enabled and the EWT gets below 60 F, the Head software point will become enabled and the head pressure control valve will modulate to keep the head pressure at the head pressure set point (SETPT04). The default set point is 225 psi and may be set from 200 to 250 psi. The minimum output value for the head pressure control algorithm is 40% in order to maintain a minimum flow through the condensers. The valve will modulate between 40 and 100%. Do not set the minimum lower than 40% or the compressors may shut down due to low flow, resulting in the high-pressure switch tripping.

Ventilation request — The ventilation request output will close a set of relay contacts to activate a ventilation damper whenever the supply fan and supply fan status are both true and the TIMECLOCK software point is on.

VAV terminal operation output — The VAV terminal control output (TRMCT) closes a set of relay contacts to indicate to non-Carrier air terminals that the fan is either forced on or is going to turn on. This signals the terminals to open and start controlling to the desired cfm and temperature set points.

VAV terminal open output — The VAV terminal open output (TRMOP) closes a set of relay contacts to command the air terminals to open to maximum cfm at times when the fan is operating on the VFD bypass.

Pump and tower outputs — The pump and tower outputs close a set of relay contacts to indicate that the 50XJ unit is in operation and may require condenser water flow through the unit.

Building pressure control — The building pressure control output provides an analog 4 to 20 mA signal to control return fan or exhaust fan speed. Fan speed is modulated to maintain the building static pressure set point (SETPT07).

The control parameters for the building pressure set point and building pressure are read and controlled in milliamps but are converted to inches of water for ease of setting and display. The range and low start values of the sensor selected should be configured in the custom configurations screen. The raw sensor value in milliamps will be displayed on the hardware point BSP. The converted sensor reading in inches of H₂O will be displayed at the software point BSP_IN. The set point input in SETPT07 in inches of H₂O is converted to a raw milliamp set point in SETPT08. The algorithm controls to the milliamp values since the math required for control using the static pressure in inches generates numbers too small to be used given the range of the controller configuration parameters.

Guide specifications



Indoor Packaged Water-Cooled Variable Air Volume Cooling Unit with Carrier Comfort Network (CCN) Controls

HVAC Guide Specifications

Size Range: **60 to 100 Tons, Nominal Cooling**

Carrier Model Number: **50XJ**

Part 1 — General

1.01 SYSTEM DESCRIPTION

Indoor, water-cooled, vertical discharge, microprocessor controlled variable air volume (VAV), cooling and heating unit utilizing scroll type compressors for cooling duty. Units shall discharge supply air vertically upward or horizontally through an acoustic discharge plenum as shown on the contract drawings.

Each unit shall be completely factory assembled and tested and shall ship in one piece.

1.02 QUALITY ASSURANCE

- A. Unit shall be rated in accordance with ARI Standard 340/360, and tested to ARI Standard 260.
- B. Unit shall be designed to conform to ANSI/ASHRAE 15, latest revision, UL Standard 1995, and National Electrical Code.
- C. Unit shall be listed by ETL and ETL, Canada, as a total package.
- D. Insulation and adhesive shall meet NFPA 90A requirements for flame spread and smoke generation.
- E. Unit shall be factory run tested to include as a minimum a compressor bump over test and full electrical and control circuit test.

1.03 DELIVERY, STORAGE, AND HANDLING

Unit shall ship in one piece and be stored and handled per manufacturer's recommendations.

Part 2 — Products

2.01 EQUIPMENT

A. General:

Factory-assembled, single-piece water-cooled cooling unit with optional economizer and heating capability. Contained within the unit enclosure shall be all factory wiring, water and refrigerant piping, refrigerant charge (R-22), operating oil charge, multiple refrigerant circuits on individual condensers, microprocessor-based control system for stand-alone or building network operation and associated hardware, and all special features required prior to field start-up.

B. Unit Cabinet:

1. Constructed of galvanized steel, bonderized and coated with a baked polyester thermosetting powdercoating beige finish on the outer surface. Unit frame shall be post and panel construction so any access panel may be removed for service without impacting the structural integrity of the unit. Base frame members shall be constructed of minimum of 10-gage steel

constructed to provide a rigid mounting base and structural support and to provide adequate strength for the unit to be lifted and moved by the base rail. All other unit support members shall be a minimum of 12-gage steel.

2. Unit casing shall be capable of withstanding ASTM Standard B117 500-hour salt spray test.
3. All standard service access panels shall have person-size insulated access doors for easy access to the control box, fan and motor, compressors and other areas requiring servicing. Each door shall seal against a neoprene rubber gaskets to prevent air leakage, doors shall be secured by quarter turn latches requiring only one tool for service entry and be equipped with recessed lifting handles to permit easy removal and safe handling during servicing. Use of latches that do not require the use of a tool to prevent unauthorized entry shall not be acceptable. Access panels shall not weigh more than 50 pounds and be capable of being removed by one person. Removable access panels shall be provided with recessed style lifting handles. All exterior panels shall be a minimum of 18-gage sheet metal and be painted beige.
4. Interior cabinet surfaces with in the evaporator section shall be insulated with minimum 1-in. 1¹/₂-pound density flexible fire-retardant fiberglass blanket, and covered with a solid full minimum 20-gage sheet metal internal liner in all areas downstream of the cooling coil with no exposed insulation. Surfaces between the cooling coil and fan, which have rough surfaces or openings which can not be wiped clean and foil faced style insulation, are not acceptable.
5. Interior cabinet surfaces within compressor and condenser section shall be lined with minimum 1-in. thick 3-pound density acoustical insulation. Panel construction shall protect edges of insulation damage during removal of panels.
6. Insulation shall be applied by means of adhesion using a water reducible adhesive sprayed onto interior surface. Adhesive shall maintain a satisfactory adhesion and cohesion within the temperature range of -20 to 180 F (-29 to 82 C) and have excellent resistance to water and water vapor when cured.
7. Unit shall contain a dual sloped drain pan to prevent standing water from accumulating with a minimum slope of 1/8-in. per foot. Pan shall be fabricated of type 303 stainless steel and be insulated with a minimum of 1-in. 1¹/₂ pound density insulation. Unit shall contain a factory-installed and internally trapped main condensate drain. Main condensate drain shall be extended with the connection made at the unit side panel and the trap shall be removable for cleaning.
8. Units shall be equipped with lifting lugs to facilitate overhead rigging. Lugs shall be constructed

Guide specifications (cont)



of minimum 1-in. structural steel with lifting holes sized for cables or chain hooks.

9. Unit shall be provided with factory selected vibration isolation pads to place under the unit by the installing contractor.

C. Fan Section:

Evaporator fan shall consist of a single fan, medium pressure, class II blower, mounted on a complete fan sled assembly consisting of blower, motor, motor adjusting plate and drive. Assembly shall be completely spring mounted and fan discharge shall be isolated from the unit casing by flexible connection to prevent transmission of vibration to the unit assembly. Fan assembly shall be secured by shipping brackets during shipping to prevent internal damage.

1. Fan shall be double-width, double-inlet centrifugal belt driven forward-curve type with single outlet discharge. Fan wheel and scroll shall be constructed of steel with corrosion resistant finish and shall be statically and dynamically balanced.
2. Fan shall be belt driven with fixed-pitch motor and fan pulley, with multiple matched belts, drive shall be selected for 110% of motor horsepower and to provide maximum static capability in stable fan operation and when applied with Variable Frequency Drive (VFD).
3. Fan shall be mounted on a structural steel sled with flexible outlet connection consisting of canvas transitions.
4. Fan shaft bearing shall be sealed pillow-block type ball bearing with lubrication provisions and shall have a L50 life of 200,000 hours at design operating conditions in accordance with ANSI B3.15. Bearing size shall not be smaller than the main fan shaft diameter.
5. Fan shaft shall be solid fan shaft construction and constant diameter.
6. Motor adjusting plate shall have screw type adjustment to allowing proper belt tensioning.
7. Unit shall be equipped with 5-in. spring vibration isolators, each with 2-in. static deflection.

D. Compressors:

1. Shall be hermetic scroll type only and shall be located for easy servicing.
2. Shall be direct drive, 3600 rpm, internally protected, suction gas cooled motor with internal spring and external rubber in shear vibration isolation.
3. Each equipped with compressor overload protection, oil sight glass, anti-slugging protection, operating oil charge, crankcase heater to prevent refrigerant migration to the compressor.
4. The number and size of compressors shall be as shown on the drawings.

E. Condensers:

1. Condensers shall be of the shell and tube type with removable condenser heads for cleaning. Each condenser shall serve only one compressor.
2. Tubes shall be seamless with no internal joints.
3. Condensers shall have a maximum working pressure of 150 psig on the waterside (400 psig optional).

F. Evaporator Coil:

1. Shall be minimum 6-row $\frac{3}{4}$ -in. tube with inter-twined circuiting constructed of aluminum fins mechanically bonded to seamless copper tubes.
2. Full-face active type during full and all part load conditions.
3. Coils shall be leak tested at 150 psig (1034 kPa) and pressure tested at 450 psig (3103 kPa)
4. Each distributor feeder tube shall have a plastic sleeve to protect tubes from rubbing and wear through.

G. Supply Fan Capacity Control/Variable Frequency Drive:

Variable Frequency Drive (VFD) shall include:

1. Factory-installed VFD motor control device, provided with a NEMA Type 1 enclosure, and factory-mounted, -wired and -tested. The VFD shall control motor speed to maintain set point static pressure at the supply duct sensor location.
2. Digital display keyboard module, mounted on unit control panel.
3. Factory-mounted duct pressure sensing controller:
Differential Pressure Transducer, 2 to 10 vdc output to unit control module, with adjustable set point range (0.0 to 5.0 in. wg [0 to 1246 Pa]), adjust via unit control keypad.
4. Low pressure reference tube factory installed.

H. Refrigerant Components:

Unit shall be equipped with four independent refrigerant circuits, one for each compressor, each containing:

1. Liquid line charging port.
2. Filter drier.
3. Moisture indicating sight glass which shall be accessible for charging and viewing with the unit in operation.
4. Thermostatic expansion valve with externally equalizer connection located out of the supply airstream.
5. Fusible plug with service valve option.
6. Condenser pressure relief valve.
7. Frost protection control on each compressor circuit.

I. Filter Section:

Filter section shall consist of 4-in. thick, disposable fiberglass filters of commercially available sizes. Unit shall have a minimum MERV 6 rating per ASHRAE Standard 52. Filter face velocity shall not exceed 550 fpm. All filters shall be removable from the rear of the unit. Filter holding tracks shall have filter removal access and filter retainers shall maintain a seal of the filters to the coil track to prevent air bypass.

J. Controls, Safeties, and Diagnostics:

1. Controls:

a. Control shall be accomplished through the use of a factory-installed, microprocessor-based control system and associated electronic and electrical hardware. Control system shall determine control sequences through monitoring the following operational variables:

- 1) Day and time.
- 2) Schedule (Unoccupied/Occupied).
- 3) Set points (Unoccupied/Occupied, Economizer, Duct Pressure, others).
- 4) Space temperature.
- 5) Outdoor-air temperature.
- 6) Unit supply-air temperature.
- 7) Unit return-air temperature.
- 8) Supply-air fan status.
- 9) Economizer position.
- 10) Accessory and/or field-supplied sensors, function switches and/or signals.

b. Controls shall be capable of performing the following functions:

- 1) Capacity control based on discharge-air temperature and compensated by rate of change of return-air temperature (VAV [variable air volume]). Capacity control shall be accomplished through the use of compressor staging.
- 2) Perform a quick test to check the status of all input and output signals to the control system using diagnostic display module.
- 3) Control of integrated economizer operation, based on unit supply air temperature.
- 4) Supply fan volume control shall control output from a Variable Frequency Drive to maintain duct static pressure at user-configured set point.
- 5) Heating control shall provide space temperature control for unoccupied period heating, morning warm-up sequence and occupied period heating (when configured).
- 6) Adaptive optimal start shall determine the time unit will commence cooling, heating or heating for morning warm-up during the unoccupied mode to ensure

occupied space reaches the set point in time for occupied mode.

- 7) Alerts and Alarms: Control shall continuously monitor all sensor inputs and control outputs to ensure safe and proper system operation. Alerts shall be generated whenever sensor conditions have gone outside user-configured criteria for acceptability. Alarms shall be initiated when unit control detects that a sensor input value is outside its valid range (indicating a defective device or connection that prevents full unit operation), that an output has not functioned as expected, or that a safety device has tripped. Twelve alerts and 40 alarms shall be available. Current alarms shall be maintained in STATUS function; up to 9 (current or reset) shall be stored in HISTORY function for recall.
- 8) Timed override function shall permit a system in Unoccupied mode to be returned to Occupied mode for a user-configured period of 1, 2, 3 or 4 hours by pressing the override button on the front of the space temperature sensor.
- 9) Nighttime Free Cooling (NTFC) shall start the supply fan and open the economizer on cool nights to precool the building structure mass using only outdoor air. Function shall be restricted to operation above a user-configured low lockout temperature set point.
- 10) Modulating power exhaust control shall modulate capacity of exhaust fan system in response to building static pressure at user-configured set point. Power exhaust fan operation shall be interlocked with supply fan status.
- 11) Smoke Control functions: Control shall initiate any of four separate smoke control functions in response to closure of field switches. Functions shall include: Pressurization, Evacuation, Smoke Purge and Fire Shutdown. Should two or more switches be closed simultaneously, Fire Shutdown shall be initiated.
- 12) Indoor Air Quality (IAQ) mode shall admit fresh outdoor air into the space whenever space air quality sensors detect unsuitable space conditions, by overriding economizer minimum damper position. The IAQ mode shall be permitted only during occupied periods. Control shall permit user to configure for three priority levels: sense and alert but no ventilation action; ventilate only when comfort conditions are satisfied; ventilate immediately upon demand. IAQ mode shall also provide

- control for reheat via auxiliary heating coil during ventilation (when configured).
- 13) IAQ pre-occupancy purge function shall provide complete exchange of indoor air with fresh air during unoccupied periods, when outdoor conditions permit. Function shall energize supply fan and open economizer two hours before next occupied period; duration of purge shall be user-configured (5 to 60 minutes).
 - 14) Outdoor Air Control (OAC) function shall maintain a minimum quantity of outdoor airflow into an occupied space. The OAC mode shall be available only during an occupied period.
 - 15) Dehumidification: Dehumidification function shall override comfort condition set points to deliver cooler air into the space and satisfy a user-configured humidity set point at the space or return air humidity sensor.
 - 16) Supply Air Temperature Set Point Reset: Control shall automatically reset the unit supply air temperature set point on VAV models from space temperature, at user-configured rate and limit. Control shall also reset supply air temperature set point via external 2 to 10 vdc signal representing 0° to 20 F (0° to 11 C) range of reset. Control shall respond to higher of either reset if both are active.
 - 17) Space Temperature Offset function shall permit occupants to adjust space temperature set point by ± 5 F (± 2.8 C) using T-56 space sensor (equipped with sliding scale adjuster).
 - 18) Lead-lag function shall distribute starts between the two refrigeration circuits in an effort to equalize the running time on the two circuits.
 - 19) Condenser-head pressure control shall maintain correct head pressure with an entering water temperature as low as 40 F.
 - 20) Refrigeration system pressures and temperatures (superheat) shall be monitored via pressure transducers and thermistors. Alarms for low pressure, high pressure, low superheat and high superheat will be permitted.
 - 21) Timed Discrete Output function shall control an external function or device via user-configured activity schedule. This schedule shall be separate and different from the unit's occupied/unoccupied time schedule.
 - 22) Hydronic heating coil control shall modulate a control valve in a steam or hydronic heat system to maintain space temperature at user-configured set points. Analog output shall be 4 to 20 mA signal.
 - 23) Single-step demand limit control (when used in conjunction with the Carrier Comfort Network).
 - 24) Display in Metric units: Display may be configured to display data in Metric or English (Imperial) units of measure.
 - 25) Keypad/Display Module (HSIO): Module shall provide hardware necessary for human interface with the unit integrated system controls. Module shall contain a keypad and display for interactive communication. Display shall be two-line, backlit alphanumeric liquid crystal display (LCD). Each line of the LCD shall display up to 24-character (with expanded scrolling display capability). Keypad shall contain 12 numeric, 6 function keys, and 4 operative keys. Module shall contain RJ-14 data cable connection for simple installation and to facilitate remote location installation. Module shall be powered by unit's 24-v control circuit.
2. Safeties:

Unit components shall be equipped with the following protections:

Compressors:

 - a. Overcurrent using internal or external compressor overload modules (shuts down individual compressor).
 - b. Crankcase heaters.
 - c. High-pressure switch (shuts down individual compressor, automatic reset type).
 - d. Low-pressure switch (shuts down individual compressor, automatic reset type).
 - e. Check filter switch.
 - f. High duct static switch.
 3. Diagnostics:
 - a. Diagnostic display module shall be capable of indicating a safety lockout condition (alarm) through an expandable scrolling display.
 - b. Diagnostic display module shall also be capable of indicating an alert condition which does not lock out the unit, but informs the system monitor of a condition which could be detrimental to either the unit or the comfort of the occupants if allowed to continue.
 - c. Diagnostic module must also be capable of displaying outputs of microprocessor-controlled "quick test" to verify operation of every thermistor, actuator motor, fan, and compressor before unit is started.



K. Operating Characteristics:

1. Unit shall be capable of starting and running at 115 F (46 C) entering condenser water temperature maximum load criteria of ARI Standard 340/360.
2. Unit shall be capable of mechanical cooling operation down to 50 F entering condenser water temperature without head pressure control and down to 40 F with head pressure control.
3. Provides multi-stage cooling capability.

L. Motors:

1. Compressor motors shall be cooled by suction gas passing over motor windings.
2. Evaporator blower motor shall be of the 3-phase, NEMA rated, Open Drip-proof (ODP), ball bearing type, with efficiencies per EPACT requirements. Motor shall be compatible with Variable Frequency Drive (VFD). Motor horsepower shall be as shown on contract drawings to meet required total static pressure.

M. Electrical Requirements:

All unit power wiring shall enter unit cabinet at a single location. Individual fusing for each motor shall protect branch circuits for all motor loads within the unit. Main power connections to the unit shall be to a terminal block of adequate size for easy connection of field power connections. Low voltage connections for control and network communications shall be to factory mounted and labeled terminal strips.

N. Special Features:

1. Waterside integrated economizer.
2. Motor options to include premium-efficiency and Totally Enclosed Fan-Cooled motors.
3. Bypass switch for VFD.
4. Filter options: Unit shall be factory equipped with high-efficiency pleated filters having the following characteristics:
 - a. Efficiency of no less than 65% (85%) based on testing per ASHRAE Standard 52.
 - b. Minimum average arrestance of 90%.

5. Non-Fused Disconnect: A non-fused electrical disconnect for main unit power shall be factory installed. The disconnect shall be an interlocking type.
6. Evaporator Coil Protective Coating: Condenser coil aluminum fins shall be coated with protective coating. Coating material shall be an epoxy phenolic organic coating, capable of 1000-hr salt spray exposure per ASTM B117 test and ASTM DI 654 evaluation, 2000-hr corrosion weathering cycle and moist sulfur dioxide exposure per DIN 50018 (ASTM G87) test and ASTM DI 654 and ASTM D714 evaluation.
7. High waterside pressure condenser options.
8. Water Flow switch.
9. Space Temperature Sensor (T-56): The T-56 space temperature sensor (for CV applications) shall monitor space temperature. Device shall be suited for wall mounting in the occupied space. The T-56 sensor shall incorporate a front-panel located slider switch to effect a remote change in set point of $\pm 5x$ F ($\pm 2.8x$ C). The T-56 sensor shall also include a button used to initiate Unoccupied Override function.
10. Provide an extra set of the following:
 - a. Evaporator fan drive belts as required for operation at horsepower requirements of unit as indicated on the contract drawings.
 - b. Filters for replacement before building is turned over to owner.
11. Extended grease lines, all bearing grease fittings shall have a grease connection brought to a common point on the out side of the unit.
12. Compressor service valves.
13. Two-position condenser isolation valve.
14. Phase loss, low voltage protection.
15. Discharge plenum.
16. Fire and smoke control.
17. Water regulating valve.
18. System control option.



Manufacturer reserves the right to discontinue, or change at any time, specifications or designs without notice and without incurring obligations.